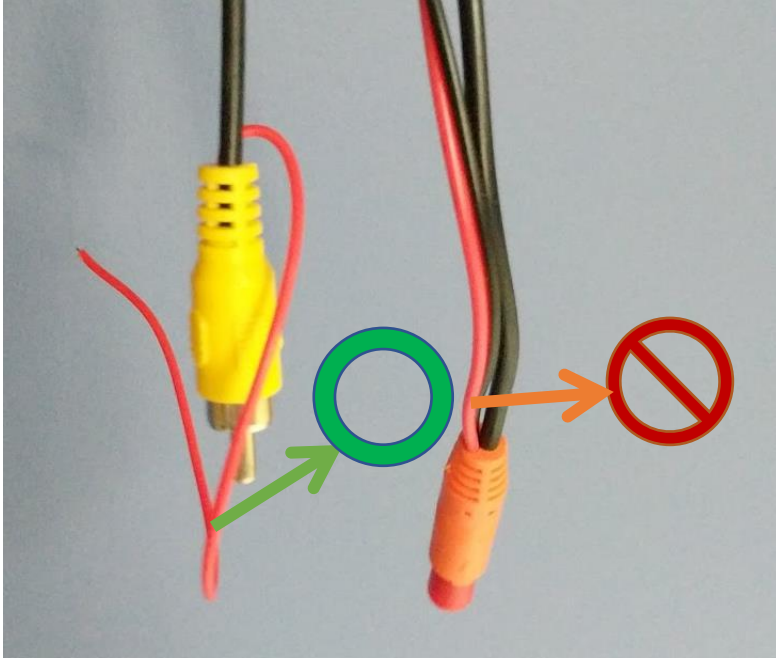


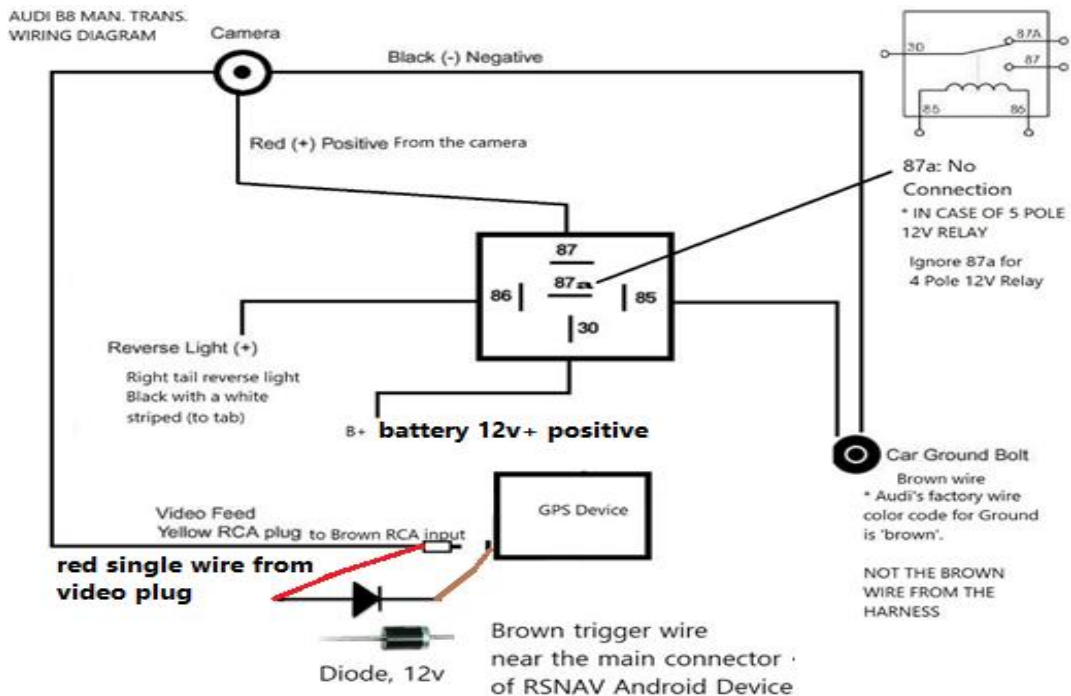
Back up cam wiring for RSNAV Android Systems(v.2)

1. Automatic Transmission Vehicle with Audi Original Camera
Go to Realsun Setting, and change the backup camera setting to Audi original
2. Automatic Transmission Vehicle with Aftermarket Camera



Do not use two wires (red and black) on the camera side.
Connect the red wire near the yellow video side connector to the 'brown' bare wire of RSNAV main connector(white).

3. Manual Transmission Vehicle with Aftermarket Camera
Additional required item: 12v Automotive 4 pole relay, 12v diode.



4. Manual Transmission Vehicle with Audi Original Camera, and Automatic reverse switching is not working
 Additional required item: 12v Automotive 4 pole relay, 12v Diode 2W rating.

AUDI B8 MAN. TRANS.

OEM camera WIRING DIAGRAM

Brown trigger wire
 near the main connector
 of RSNV Android Device

