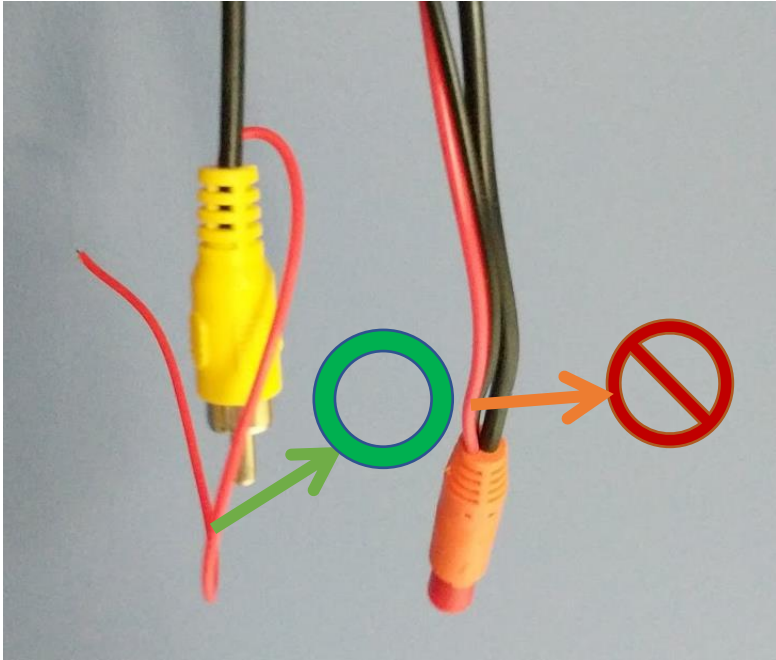


## Back up cam wiring for RSNV Android Systems

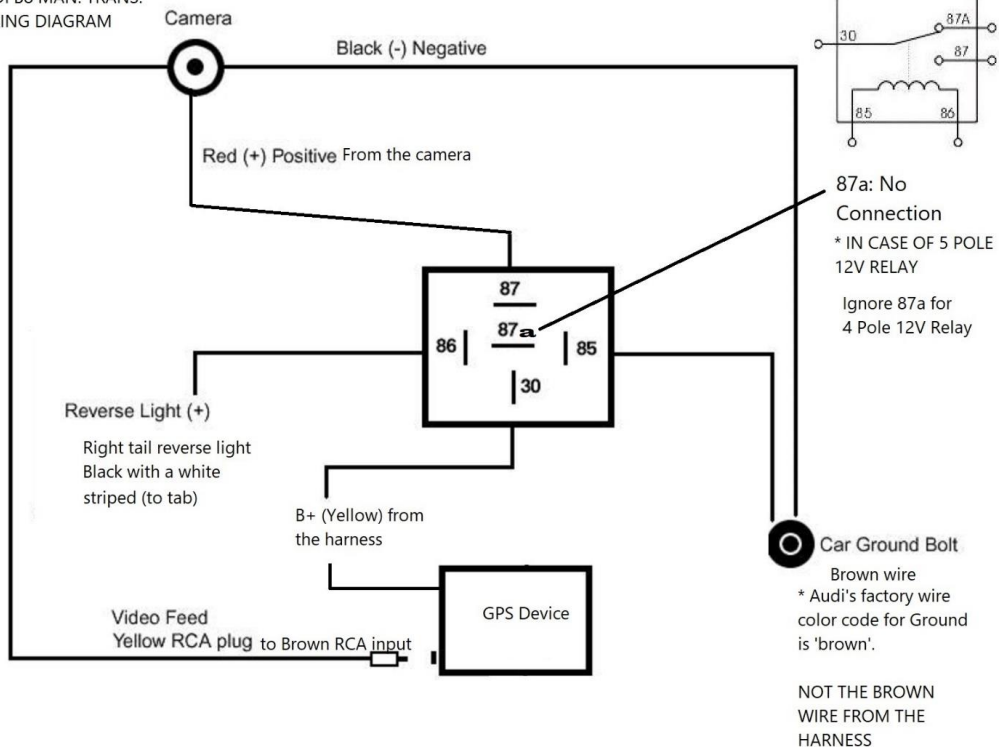
1. Automatic Transmission Vehicle with Audi Original Camera  
Go to Realsun Setting, and change the backup camera setting to audi original
2. Automatic Transmission Vehicle with Aftermarket Camera



Do not use two wires (red and black) on the camera side.  
Connect the red wire near the yellow video side connector to the 'brown' bare wire of RSNV main connector(white).

3. Manual Transmission Vehicle with Aftermarket Camera  
Additional required item: 12v Automotive 4 pole relay

AUDI B8 MAN. TRANS.  
WIRING DIAGRAM



4. Manual Transmission Vehicle with Audi Original Camera, and Automatic reverse switching is not working  
 Additional required item: 12v Automotive 4 pole relay, 12v Diode 2W rating.

AUDI B8 MAN. TRANS.  
 OEM camera WIRING DIAGRAM

Brown trigger wire  
 near the main connector  
 of RSNV Android Device

