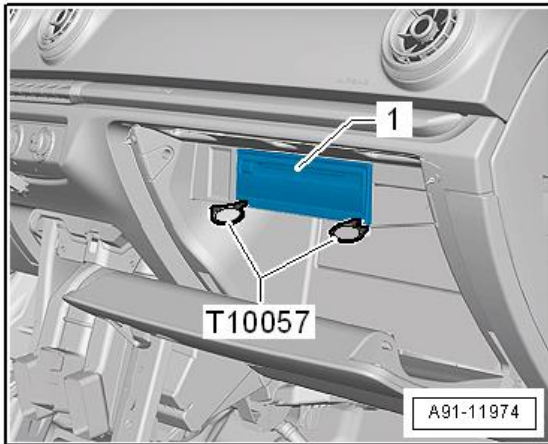


RSNAV.com CarPlay interface for 3G MMI (8V)

Version 2.0

Warning: Professional installation recommended. Mask the working trim surfaces properly, otherwise, it will be scratched easily while installing!

1. Installation



The Information Electronics Control Module 1 -J794- is located in the glove compartment.

– Turn off the ignition and all electrical equipment and remove the ignition key.

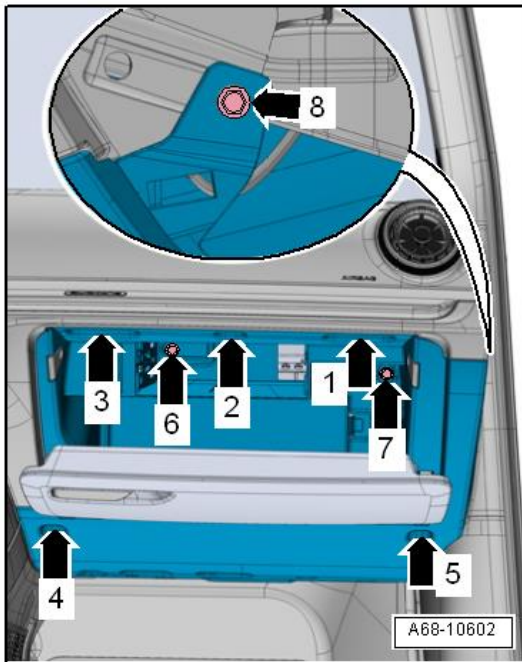
Removing

– Open the glove compartment.
– Remove any CDs and SD/SIM cards in the Information Electronics Control Module 1 -J794-.

– Insert the two clips from the Radio Removal Tool -T10057- into the slits in the Information Electronics Control Module 1 -J794--1- until they lock into place. The points on the grip eyes face outward.

– Remove the Information Electronics Control Module 1 -J794--1- from the glove compartment at the Radio Removal Tool -T10057- grip eyes.

- Release and disconnect the connectors from the Information Electronics Control Module 1 -J794--1-.
- Press the release tabs on the Information Electronics Control Module 1 -J794- and remove the Radio Removal Tool -T10057



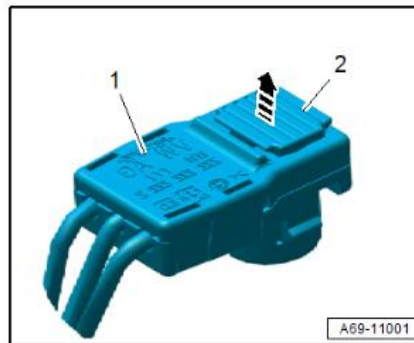
Removing Glove compartment

– Open the passenger door side panel cover with a trim removal tool and then, remove the bolt -arrow 8- sideways.

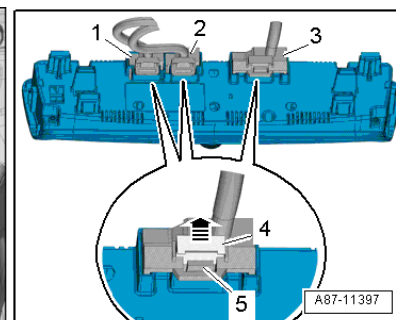
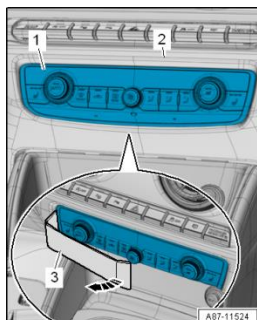
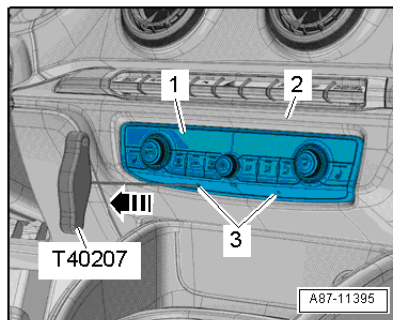
–Open the glove compartment lid and remove the bolts -arrows 1 to 7-.

–Carefully remove the glove compartment and rest it in the ground of passenger compartment.

Vehicle Versions with a Knee Airbag



WARNING: Must disconnect battery. Before handling pyrotechnic components (for example, disconnecting the electrical connector), the person handling it must “discharge static electricity”. This can be done by touching the door striker, for example a bare metal surface. Try not to touch it unless necessary.



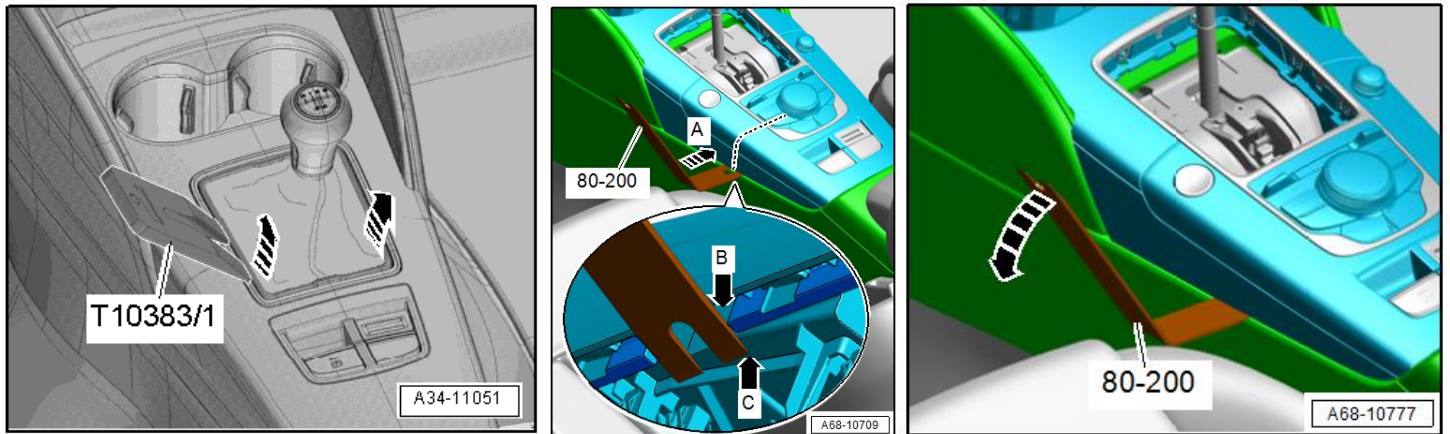
Removing Heater Control Module -J65-/A/C Control Module -J301-/Climatronic Control Module -J255

- Position the Hook Tool -T40207- (or T-Handle Hook -3438-) on the openings -3- and carefully pull the control head -1- out of the mount -2--arrow-.

RSNAV.com CarPlay interface for 3G MMI (8V)

- If the control head -1- cannot be removed as described, it must be carefully pressed out of the mount -2- using a plastic wedge -3- (for example with a Removal Wedge -T40233- or the wedge T10383/2 from the set Wedge Set -T10383-) (using the Hook Tool -T40207- or the T-Handle Hook -3438- to pull) -arrow-, as shown in the illustration.
- If the control head -1- sits so securely in the instrument panel mount that the plastic wedge -3- is deformed when pressing out, a flat-head screwdriver can be used additionally to strengthen the plastic wedge -3- (place between the plastic wedge -3- and the control head -1-).
- Depending on the instrument panel there can be a clip (usually the right lower) after loosening the control head -1- that can get hooked in the instrument panel shell, if necessary push this clip for example with a finger (or a screwdriver) toward the control head -1-.
- Slide the safety mechanism -4- upward -arrow- and press the release -5- inward to disconnect the connectors -1, 2 and 3-.

Removing Center Console Insert



- Versions with a selector lever: move the selector lever into “D/S”.
- Turn off the ignition.
- Carefully pry out the selector lever/shift lever boot using the Wedge -T10383/1- from the center console -arrow- and fold up.
- Equipment versions with selector lever: Remove the Selector Lever Transmission Range Position Display Unit -Y26-. Refer to → Electrical Equipment; Rep. Gr.96; Lamps; Selector Lever Transmission Range Position Display UnitY26, Removing and Installing.
- Remove the front liner from the center console.

Note

At approximately the same height as the MMI control wheel there is an opening on the inside of the center console insert -arrow B-, into which the Pry Lever -80-200- can be inserted -arrow A-. Guide the Pry Lever - 80-200- in from above at a slight angle, so that it can be set at the lower edge of the center console insert -arrow C-.

- Set the Pry Lever -80-200- on the center console insert as described and pry the insert out of the clamping -arrow-.
- Repeat the process on the opposite side.
- Grip the center console insert from underneath by hand and carefully remove it upward from the center console -A arrows-.
- Pull the center console toward the rear, remove over the selector lever/gearshift lever, and disconnect the connector.

RSNAV.com CarPlay interface for 3G MMI (8V)

2. Connect the smartphone interface system with the the Information Electronics Control Module 1 -J794-.
3. Dip Switch Settings

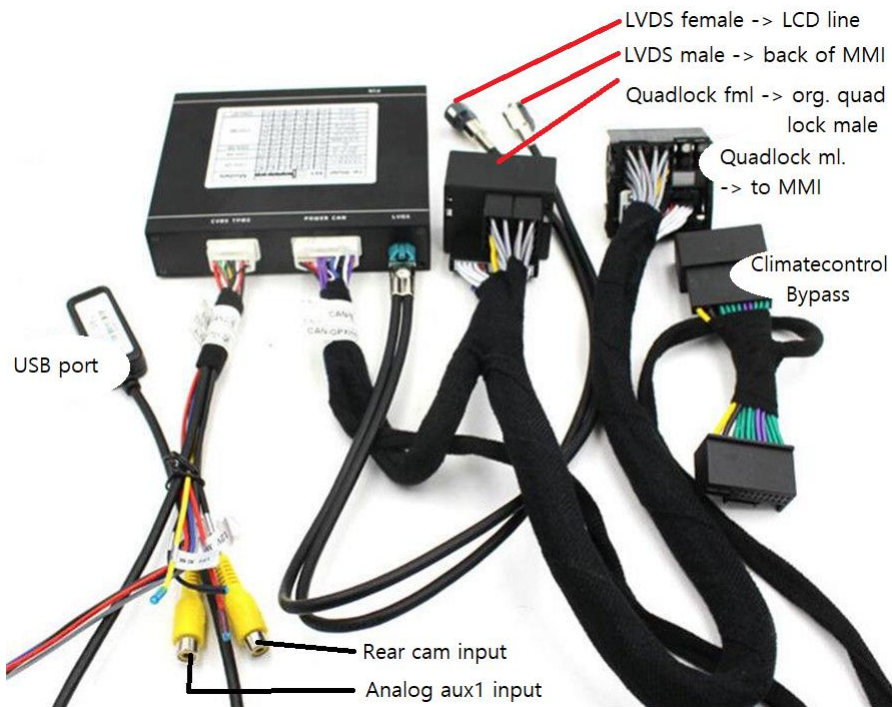
3G MMI variants

	1	2	3	4	5	6
B8(A4, A5) Facelift C7(A6, A7) 8R(Q5) Facelift MMI. ver. HN+_	Up	Up	Up	Up	Up	Up
B8 Prefacelift 8R Prefacelift MMI. ver. HNAV	Up	Up	Up	Down	Down	Down
C6(A6) 3G MMI MMI. ver. HNAV	Up	Up	Down	Down	Up	Down
4L(Q7) 3G MMI MMI. ver. HNAV	Up	Up	Up	Up	Down	Up
D4(A8, A8L) 3G+ MMI. ver. HN+	Up	Up	Up	Up	Up	down



MIB variants

	1	2	3	4	5	6
8V (A3, S3, MY14-16) Without Audi navigation	Down	Down	Up	Up	Down	Down
8V (A3, S3, MY14-16) With Audi navigation	Down	Down	Down	Up	Up	Down
8V (A3, S3, MY17-18)	Down	Down	Down	Up	Up	Up
8W (A4 B9, MY16-18) Without Audi navigation	Down	Down	Up	Down	Up	Up
4M (Q7 MY16-18)	Down	Down	Down	Up	down	down



- A. Connect the cable harness as described above. Place the interface inside the glove box on a flat surface and mount it firmly using cable ties or double side tapes.

RSNAV.com CarPlay interface for 3G MMI (8V)

- B. Routing USB port to cigarette socket in front: While removed both the center console insert and the glovebox, you should be able to reach the cigarette socket from the open side of the glove box. Remove the cigarette socket and replace it with the USB extension provided.
- C. Run the USB wire to the main harness of the interface and connect it into the USB port in the harness.
- D. Reassemble everything back.

Note that to hear any sound from CarPlay interface, you must select 'external audio input' from 'Media' of your 'Audi MMI' menu.

Reminder: For Apple CarPlay, please deactivate your Bluetooth in your iPhone manually, Otherwise, Audi car mic will not pick up any voice for your handsfree call. Apple does not allow our device to deactivate your iPhone's Bluetooth when connected with CarPlay, thus it's Manual.

For Android Auto, remain in Bluetooth in Audi MMI Media, so that both handsfree and A2DP music to be heard. IF you prefer to keep superior media streaming, you can deactivate media profile in your Android phone and switch to External Audio Sources in Audi MMI Media. But you may required to switch to Bluetooth manually when receiving a call.

1. MMI buttons features
- 2.

MMI center console button descriptions:

1. Volume key: short press to mute/unmute, tilt left or right for media track control(prev. or next) or use prev. next buttons below if you have those.
2. Return key: Short press to return to the previous menu/Menu level(to lower menu) change in Android Auto
3. MMI Knob: Browsing screen menu as original mmi does
4. Media key: Audio source access for original MMI. Must switch into Auxiliary input for CarPlay Interface Enabling 'Aux' input described in installation manual



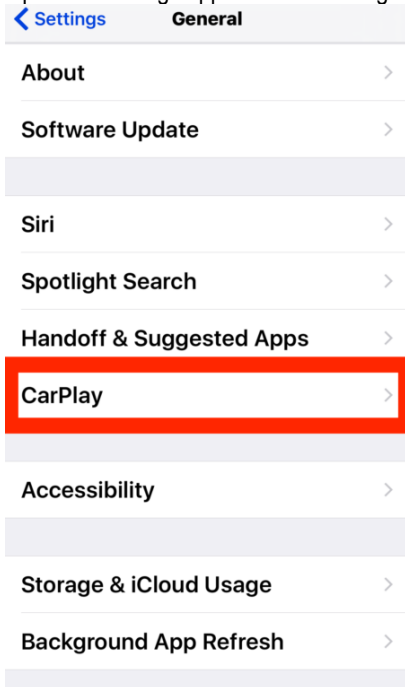
Steering Wheel button descriptions :

8. Voice key: short press for MMI original voice recognition, long press for 3 seconds or more for Apple Siri command
9. Volume key: Volume control as original MMI does
10. NAV key: long press for 3 seconds or more to switch to the device's main setting menu (for additional features and firmware update)
11. Browsing scroll: scroll up and down to select screen menu items, press to execute the selection. .

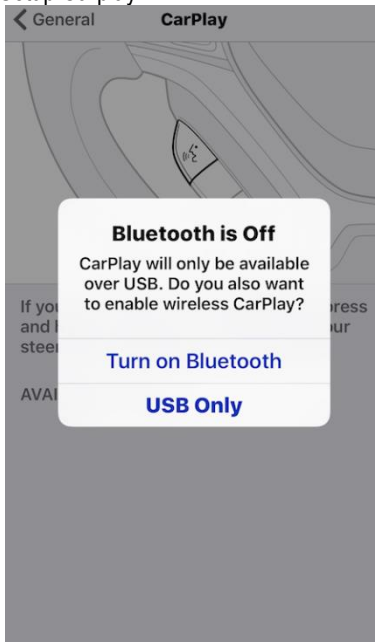
RSNAV.com CarPlay interface for 3G MMI (8V)

3. Setting your iPhone

1. Turn on the car if you haven't done so already
2. Open the Settings app on iPhone and go to "General" and then to "CarPlay"



3. Setup Carplay



4. You may have two options to setup CarPlay: Choose **USB only**.
5. Connect the iPhone to the USB port in the car to begin the CarPlay setup
6. Setting up CarPlay: Once the CarPlay interface has been detected, select it from the list of available cars and the in-dash display should display CarPlay interface setup