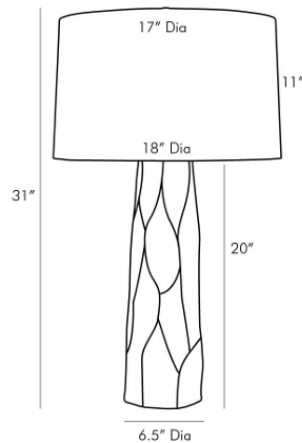


TOWNSEN LAMP

- Irregular Angles And Distinct Lines
- Icy Morn Finish
- Dramatic Geometric Form
- A Slight Crackle Texture In The Finish
- Topped With An Ivory Microfiber Drum Shade With White Cotton Lining
- Matching Ceramic Finia
- Finish May Vary



PRODUCT #:	ITEM	WIDTH	DEPTH	HEIGHT	PRICE	ADDITIONAL INFORMATION
254-17483-594	TOWNSEN LAMP	18	18	31	\$717	

APPEARANCE

Material	Ceramic, Cotton, Microfiber
Finish	Ivory
Finish Will Vary	true
Top Coat/Sealant	false
Finial Description	Porcelain to match - packed with
Finial Dimension	2" x 1"

DIMENSIONS

Shade	Top: 17.00 IN, Dia: 18.00 IN, Side: 11 IN
Body	H: 20 IN, Dia: 6.50 IN
Neck	H: 1 IN, Dia: 1.00 IN
Foot Print	Dia: 6.50 IN
Harp	8.5 IN

WIRING

	3C,AE,AU,EU,SA,UK,UL
Rating	Indoor Only
Tilt Test	8 Degrees - UL
Cord	10 FT, Clear/Silver, Side of Lamp Body, SPT-2
Socket	1, Nickel, Type A- E26, 3-Way
Switch	3-Way Rotary, At Socket
Maximum Watt	150
Voltage	110-120 V

CERTIFICATIONS

	Mexico
Certifications	United Arab Emirates, United Kingdom, United States, Canada

COMPLIANCY

UL/ETL	Yes
CB	Yes
RoHS	true

SHIPPING

Product Weight	9 LBS
Gross Weight 1	9 LBS
Gross Weight 2	3.5 LBS
Shipping Box 1	H: 38 IN, L: 10 IN, W: 10 IN
Shipping Box 2	H: 15 IN, L: 22 IN, W: 22 IN

ADDITIONAL INFO

Shade Shape	Round
Shade Trim	Rolled Edges
Shade Type	Hardback

CONTRACT

Contract Suitable	true
-------------------	------