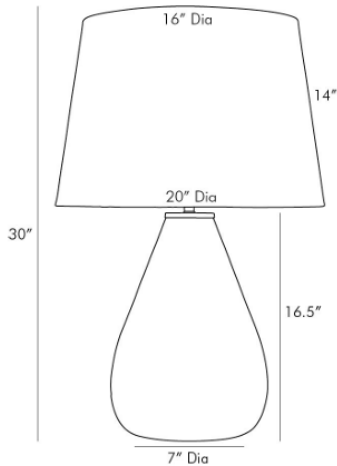


TIBER LAMP

- Mouth-Blown Seeded Glass Base
- Smoke Luster Ombre Finish
- Topped With A Tapered White Linen Shade
- White Cotton Lining
- Acrylic Sphere Finial On A Brass Base
- Finish May Vary
- Type A- E26, 3-Way. Socket Wattage: 150W



PRODUCT #:	ITEM	WIDTH	DEPTH	HEIGHT	PRICE	ADDITIONAL INFORMATION
254-46404-326	TIBER LAMP	20	20	30	\$1,329	

APPEARANCE

Material	Brass, Cotton, Glass, Linen
Finish	Antique Brass, White
Finish Will Vary	true
Top Coat/Sealant	false
Finial Description	1" acrylic sphere with brass base

DIMENSIONS

Shade	Top: 16.00 IN, Dia: 20.00 IN, Side: 14 IN
Body	H: 16.5 IN, Dia: 12.50 IN
Neck	H: 1 IN, Dia: 1.00 IN
Foot Print	Dia: 7.00 IN
Harp	9.5 IN

WIRING

Rating	3C,AE,AU,EU,SA,UK,UL
Tilt Test	Indoor Only
Cord	10 Degrees - AU
Socket	10 FT, Clear/Silver, Side of Lamp
Switch	Body, SPT-2
Maximum Watt	1, Black, Type A- E26, 3-Way
Voltage	3-Way Rotary, At Socket
	150
	110-120 V

CERTIFICATIONS

Certifications	Mexico Australia, United Arab Emirates, United Kingdom, United States, Canada
----------------	--

COMPLIANCY

UL/ETL	Yes
CB	Yes
RoHS	true

SHIPPING

Product Weight	11 LBS
Gross Weight 1	11 LBS
Gross Weight 2	3.5 LBS
Shipping Box 1	H: 24 IN, L: 14 IN, W: 14 IN
Shipping Box 2	H: 18 IN, L: 24 IN, W: 24 IN

ADDITIONAL INFO

Shade Shape	Round
Shade Trim	Rolled Edges
Shade Type	Hardback

CONTRACT

Contract Suitable	true
-------------------	------