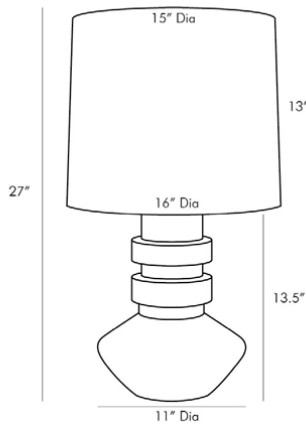


SPENCER LAMP

- Brushed Bronze Finish Makes The Porcelain Structure Look Metallic
- Hand-Etched Knurling In The Bands
- Topped With A Natural Linen Drum Shade With An Ivory Cotton Lining
- Finish May Vary
- Type A- E26, 3-Way Rotary
- A19 Incandescent 150 Watt



PRODUCT #:	ITEM	WIDTH	DEPTH	HEIGHT	PRICE	ADDITIONAL INFORMATION
254-11125-106	SPENCER LAMP	16	16	27	\$1,062	

APPEARANCE

Material	Cotton, Linen, Porcelain
Finish	Natural, Off-White
Finish Will Vary	true
Top Coat/Sealant	false
Finial Description	1" brushed nickel sphere - packed with
Finial Dimension	1" Dia

DIMENSIONS

Shade	Top: 15.00 IN, Dia: 16.00 IN, Side: 13 IN
Body	H: 13.5 IN, Dia: 11.00 IN
Neck	H: 1 IN, D: 1 IN
Foot Print	Dia: 6.00 IN
Harp	9.0 IN

WIRING

	3C,AE,AU,EU,SA,UK,UL
Rating	Indoor Only
Tilt Test	10 Degrees - AU
Cord	10 FT, Clear/Silver, Side of Lamp Body, SPT-2
Socket	1, Nickel, Type A- E26, 3-Way
Switch	3-Way Rotary, At Socket
Maximum Watt	150
Voltage	110-120 V

CERTIFICATIONS

Certifications	Mexico Australia, United States, Canada
----------------	--

COMPLIANCY

UL/ETL	Yes
RoHS	false

SHIPPING

Shipping Requirements	Prop65
Product Weight	9.5 LBS
Gross Weight 1	9 LBS
Gross Weight 2	3 LBS
Shipping Box 1	H: 11 IN, L: 23 IN, W: 14 IN
Shipping Box 2	H: 17 IN, L: 20 IN, W: 20 IN

ADDITIONAL INFO

Shade Shape	Oval
Shade Trim	Rolled Edges
Shade Type	Hardback

CONTRACT

Contract Suitable	true
-------------------	------