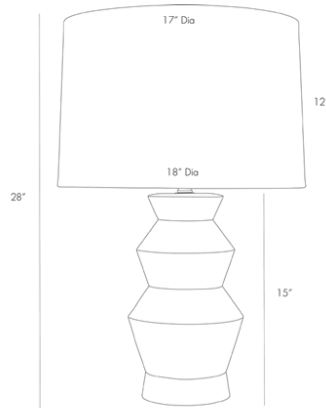


OGDEN LAMP

- Porcelain Lamp Created By Hand And Skill Of Artisan Potters
- Small Clay Combs And Create All The Etchings
- Blue Glaze Only Adds To The Textures And Has A Slight Crackling
- Topped With A Drum Shade In White Linen With Cotton Lining
- Acrylic Ball Finial
- Glaze Finish May Vary
- A19 Incandescent Type A- E26, 3-Way 150 Watt



PRODUCT #:	ITEM	WIDTH	DEPTH	HEIGHT	PRICE	ADDITIONAL INFORMATION
254-11019-955	OGDEN LAMP	18	18	28	\$1,170	

APPEARANCE

Material	Cotton, Linen, Porcelain
Finish	Off-White, White
Finish Will Vary	true
Top Coat/Sealant	false
Finial Description	1" brushed nickel sphere - packed with
Finial Dimension	1" Dia

DIMENSIONS

Shade	Top: 17.00 IN, Dia: 18.00 IN, Side: 12 IN
Body	H: 15 IN, Dia: 9.00 IN
Neck	H: 2 IN, Dia: 1.00 IN
Foot Print	Dia: 8.00 IN
Harp	10.5 IN

WIRING

	3C,AE,AU,EU,SA,UK,UL
Rating	Indoor Only
Tilt Test	10 Degrees - AU
Cord	8 FT, Clear/Silver, Side of Lamp Body, SPT-2
Socket	1, Black, Type A- E26, 3-Way
Switch	3-Way Rotary, At Socket
Maximum Watt	150
Voltage	110-120 V

CERTIFICATIONS

Certifications	Mexico Australia, United States, Canada
----------------	--

COMPLIANCY

UL/ETL	Yes
RoHS	false

SHIPPING

Shipping Requirements	Prop65
Product Weight	9.5 LBS
Gross Weight 1	10 LBS
Gross Weight 2	3 LBS
Shipping Box 1	H: 25 IN, L: 12 IN, W: 13 IN
Shipping Box 2	H: 16 IN, L: 22 IN, W: 22 IN

ADDITIONAL INFO

Shade Shape	Round
Shade Trim	Rolled Edges
Shade Type	Hardback

REPLACEMENT PARTS

Replacement Part 1	81324
--------------------	-------

CONTRACT

Contract Suitable	true
-------------------	------