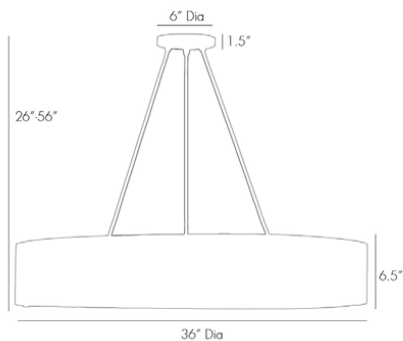


MARSHA FIXED CHANDELIER

- Steel With Matte Black Microfiber
- Antique Brass-Finished Accents.
- Acrylic Diffusers
- 6 Light
- Bulb: A19 Incandescent 40W Max



PRODUCT #:	ITEM	WIDTH	DEPTH	HEIGHT	PRICE	ADDITIONAL INFORMATION
254-89023	MARSHA FIXED PENDANT	36	36	26-56	\$5,001	

APPEARANCE

Material	Brass, Microfiber, Steel
Material Type	Stainless
Finish	Antique Brass, Black, Matte Black
Top Coat/Sealant	true
Link	Welded

DIMENSIONS

Chandelier	H: 6.5 IN, Dia: 36.00 IN
Minimum Hanging Height	26 IN
Maximum Hanging Height	68 IN
Canopy	H: 1.5 IN, Dia: 6.00 IN

WIRING

	UL,EU,SA
Rating	Indoor Only
Cord	10 FT, Black, SVT
Socket	6, Type A- E26 Keyless
Maximum Watt	40
Voltage	110-120 V

CERTIFICATIONS

	Mexico
Certifications	European Union, United Arab Emirates, United States, Canada

COMPLIANCY

UL/ETL	Yes
CB	Yes
RoHS	true

SHIPPING

Product Weight	21 LBS
Gross Weight 1	31 LBS
Shipping Box 1	H: 9 IN, L: 39 IN, W: 39 IN

ADDITIONAL INFO

Features	Assembly Required
----------	-------------------

REPLACEMENT PARTS

Replacement Part 1	CANOPY-233
Replacement Part 1 Dim	1" x 6" Dia

CONTRACT

Contract Suitable	true
-------------------	------