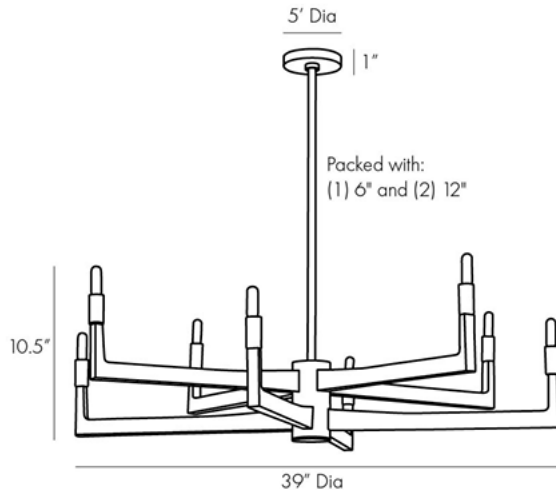


## GRIFF CHANDELIER

- Solid steel, which has been finished in antique brass and chiseled with a chattered detail
- available in brass
- type b - e12 60w max



PRODUCT #:	ITEM	WIDTH	DEPTH	HEIGHT	PRICE	ADDITIONAL INFORMATION
254-89485	GRIFF CHANDELIER-ANTIQUE BRASS*	39	39	10.5	\$3,597	Packed w/ 1-6"+ 2-12"

### APPEARANCE

Material	Steel
Finish	Antique Brass
Finish Will Vary	true
Top Coat/Sealant	true

### DIMENSIONS

Chandelier	H: 10.5 IN, Dia: 39.00 IN
Minimum Hanging Height	19 IN
Maximum Hanging Height	49 IN
Canopy	H: 1 IN, Dia: 5.00 IN

### WIRING

	UL,EU,SA
Rating	Damp
Cord	10 FT, Clear/Silver, SVT
Socket	8, Type B - E12
Maximum Watt	60
Voltage	110-120 V

### CERTIFICATIONS

Certifications	Mexico Australia, European Union, United Arab Emirates, United States, Canada
----------------	--

### COMPLIANCY

UL/ETL	Yes
CB	Yes
RoHS	true

### SHIPPING

Product Weight	13.4 LBS
Gross Weight 1	28 LBS
Shipping Box 1	H: 43 IN, L: 43 IN, W: 14.5 IN

### REPLACEMENT PARTS

Replacement Part 1	PIPE-232
Replacement Part 1 Dim	(1) 6", (1) 12"
Replacement Part 2	CANOPY-497
Replacement Part 2 Dim	1" x 5"

### CONTRACT

Contract Suitable	true
-------------------	------