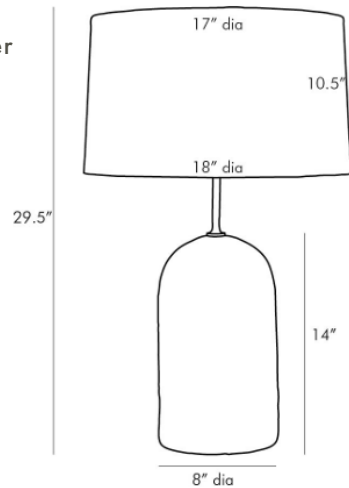


CAPELLI LAMP

- Sleek antique brass iron stem trumpets the half-capsule shape of the ceramic base which features an ivory volcanic glaze
- Topped with an off-white microfiber drum shade with off-white cotton lining
- 1" brass sphere finial
- Finish will vary
- 1 - Type A- E26 Other 150W Max
- 3 Way Rotary Switch



PRODUCT #:	ITEM	WIDTH	DEPTH	HEIGHT	PRICE	ADDITIONAL INFORMATION
254-15577-851	CAPELLI LAMP	18	18	29.5	\$933	

APPEARANCE

Material	Ceramic, Cotton, Iron, Microfiber
Finish	Antique Brass, Ivory Volcanic Glaze, Off-White
Finish Will Vary	true
Top Coat/Sealant	false
Finial Description	1" Brass Sphere

DIMENSIONS

Shade	Top: 17.00 IN, Dia: 18.00 IN, Side: 10.5 IN
Body	H: 14 IN, Dia: 8.00 IN
Neck	H: 6 IN, Dia: 0.50 IN
Foot Print	Dia: 8.00 IN
Harp	8 IN

WIRING

	3C,AE,AU,EU,SA,UK,UL
Rating	Indoor Only
Tilt Test	10 Degrees - AU
Cord	8 FT, Clear/Silver, Side of Lamp Body, SPT-2
Socket	1, Brass, Type A- E26, 3-Way
Switch	3-Way Rotary, At Socket
Maximum Watt	150
Voltage	110-120 V

CERTIFICATIONS

	Mexico
Certifications	Australia, United Arab Emirates, United Kingdom, United States, Canada

COMPLIANCY

UL/ETL	Yes
CB	Yes
RoHS	true

SHIPPING

Product Weight	8.5 LBS
Gross Weight 1	8.5 LBS
Gross Weight 2	3 LBS
Shipping Box 1	H: 27 IN, L: 17 IN, W: 17 IN
Shipping Box 2	H: 15 IN, L: 22 IN, W: 22 IN

ADDITIONAL INFO

Shade Shape	Round
Shade Trim	Rolled Edges
Shade Type	Hardback

CONTRACT

Contract Suitable	true
-------------------	------