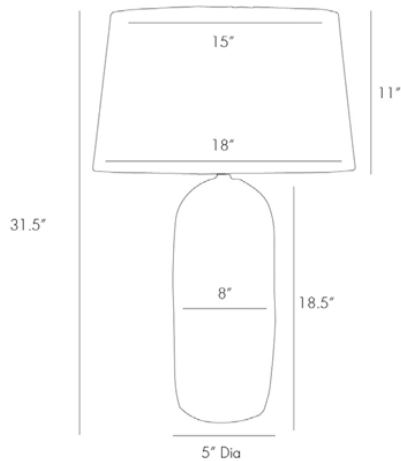


ANDERSON LAMP

- Aged Mercury Glass Finish Table Lamp
- Tapered Off-White Silk Shade With Lining To Match
- 3-Way Switch
- Type A- E26, 3-Way Socket Wattage: 150



| PRODUCT #: | ITEM | WIDTH | DEPTH | HEIGHT | PRICE | ADDITIONAL INFORMATION |
|---------------|---------------|-------|-------|--------|---------|------------------------|
| 254-42522-913 | ANDERSON LAMP | 18 | 18 | 30.75 | \$1,077 | |

APPEARANCE

| | |
|--------------------|---|
| Material | Cotton, Glass, Silk |
| Finish | Off-White |
| Finish Will Vary | true |
| Top Coat/Sealant | false |
| Finial Description | Glass sphere with nickel base -packed with |
| Finial Dimension | 1.5" x 1" |

DIMENSIONS

| | |
|------------|---|
| Shade | Top: 15.00 IN, Dia: 18.00 IN, Side: 11 IN |
| Body | H: 18.5 IN, Dia: 8.00 IN |
| Neck | H: 1 IN, Dia: 1.00 IN |
| Foot Print | Dia: 5.00 IN |
| Harp | 9.0 IN |

WIRING

| | |
|--------------|---|
| | 3C,AE,AU,EU,SA,UK,UL |
| Rating | Indoor Only |
| Tilt Test | 10 Degrees - AU |
| Cord | 8 FT, Clear/Silver, Side of Lamp Body, SPT-2 |
| Socket | 1, Black, Type A- E26, 3-Way |
| Switch | 3-Way Rotary, At Socket |
| Maximum Watt | 150 |
| Voltage | 110-120 V |

CERTIFICATIONS

| | |
|----------------|--|
| Certifications | Mexico Australia, United Arab Emirates, United Kingdom, United States, Canada |
|----------------|--|

COMPLIANCY

| | |
|--------|------|
| UL/ETL | Yes |
| CB | Yes |
| RoHS | true |

SHIPPING

| | |
|----------------|------------------------------|
| Product Weight | 8 LBS |
| Gross Weight 1 | 11.4 LBS |
| Gross Weight 2 | 1.4 LBS |
| Shipping Box 1 | H: 39 IN, L: 20 IN, W: 20 IN |
| Shipping Box 2 | H: 13 IN, L: 20 IN, W: 20 IN |

ADDITIONAL INFO

| | |
|-------------|--------------|
| Shade Shape | Round |
| Shade Trim | Rolled Edges |
| Shade Type | Hardback |

CONTRACT

| | |
|-------------------|------|
| Contract Suitable | true |
|-------------------|------|