

LE BEAUMONT

- Made In Canada
- Available in all Trica fabrics. Not available in Leather or faux leather
- Comes with Metal legs available in all powder coated finishes NOT available in Brushed Steel
- Configurations come with the knife edge back cushion. If you want box edge it must be specified on the order
- Throw pillows not included



STANDARD SEATING CONFIGURATIONS

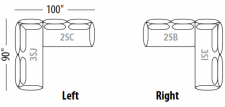
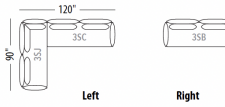
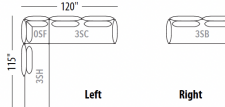
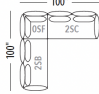
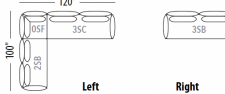
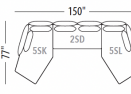
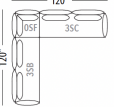
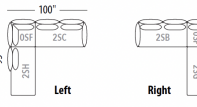

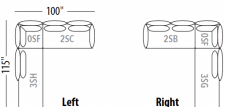
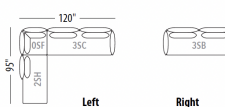
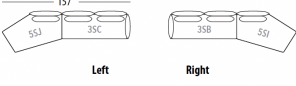
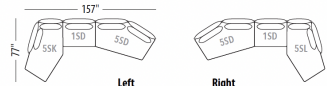
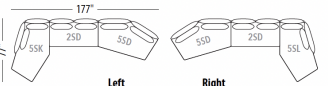
Configuration #	Price	Brushed Steel upcharge	COM upcharge	Cubage in cubic feet	Configuration #	Price	Brushed Steel upcharge	COM upcharge	Cubage in cubic feet	Configuration #	Price	Brushed Steel upcharge	COM upcharge	Cubage in cubic feet					
Configuration 05 Chair	2223	N/A	121	25.00	Configuration 15 Chair 1/2	2328	N/A	121	27.00	Configuration 85 Sectional with 60" chaise	5481	N/A	121	51.00					
The chair is only available with the wrap around metal frame.																			
Configuration 25 Loveseat	3146	N/A	121	26.00	Configuration 35 Sofa	3563	N/A	121	30.00	Configuration 105 Sectional with 80" chaise	5339	N/A	121	51.00					
Configuration 45 Sectional with 60" chaise	4246	N/A	121	39.00	Configuration 55 Sectional with 60" chaise 1/2	4572	N/A	121	45.00	Configuration 125 Sectional with 80" chaise	5756	N/A	121	56.00					
Configuration 65 Sectional with 60" chaise	5065	N/A	121	46.00	Configuration 75 Sectional with 60" chaise 1/2	5390	N/A	121	52.00	Configuration 145 Sectional with pentagon chaise	5469	N/A	121	56.00					
Configuration 95 Sectional with 60" chaise 1/2	5807	N/A	121	56.00	Configuration 115 Sectional with 80" chaise 1/2	5729	N/A	121	58.00	Configuration 135 Sectional with 80" chaise 1/2	6145	N/A	121	63.00					
Configuration 155 Sectional with pentagon chaise	5885	N/A	121	61.00															

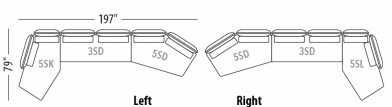
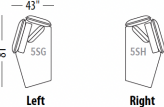
LE BEAUMONT

- Made In Canada
- Available in all Trica fabrics. Not available in Leather or faux leather
- Comes with Metal legs available in all powder coated finishes NOT available in Brushed Steel
- Configurations come with the knife edge back cushion. If you want box edge it must be specified on the order
- Throw pillows not included



STANDARD SEATING CONFIGURATIONS

Configuration #	Price	Brushed Steel upcharge	COM upcharge	Cubage in cubic feet	Configuration #	Price	Brushed Steel upcharge	COM upcharge	Cubage in cubic feet	Configuration #	Price	Brushed Steel upcharge	COM upcharge	Cubage in cubic feet
Configuration 165 L-shaped sectional COM yardage: 23.75 yds	6495	N/A	121	55.00	Configuration 175 L-shaped sectional COM yardage: 24.75 yds	6912	N/A	121	59.00	Configuration 245 Sectional with bumper COM yardage: 24.50 yds	7358	N/A	121	68.00
														
Configuration 185 L-shaped sectional COM yardage: 27.25 yds	7463	N/A	121	64.00	Configuration 195 L-shaped sectional COM yardage: 28.25 yds	7880	N/A	121	68.00	Configuration 265 Sectional COM yardage: 26.25 yds	8086	N/A	121	85.00
														
Configuration 205 L-shaped sectional COM yardage: 29.25 yds	8296	N/A	121	73.00	Configuration 215 Sectional with bumper COM yardage: 22.75 yds	6596	N/A	121	59.00	Configuration 285 Sectional with pentagon bumper COM yardage: 16.50 yds	5136	N/A	121	54.00
														
Configuration 225 Sectional with bumper COM yardage: 23.50 yds	6941	N/A	121	64.00	Configuration 235 Sectional with bumper COM yardage: 23.75 yds	7012	N/A	121	64.00	Configuration 295 Sectional with pentagon bumper COM yardage: 17.50 yds	5552	N/A	121	58.00
														
Configuration 305 Sectional COM yardage: 23.50 yds	7365	N/A	121	78.00	Configuration 315 Sectional COM yardage: 26.75 yds	8184	N/A	121	85.00					
														

Configuration #	Price	Brushed Steel upcharge	COM upcharge	Cubage in cubic feet	Configuration #	Price	Brushed Steel upcharge	COM upcharge	Cubage in cubic feet
Configuration 325 Sectional COM yardage: 29.25 yds	8855	294	121	103.00	Configuration 335 Chaise lounge COM yardage: 9.25 yds	2911	111	121	36.00
									




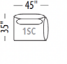
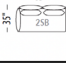
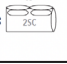

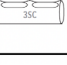

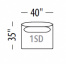
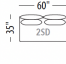
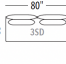



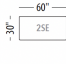

CP-2020 throw pillow included

LE BEAUMONT

- Made In Canada
- Available in all Trica fabrics. Not available in Leather or faux leather
- Comes with Metal legs available in all powder coated finishes NOT available in Brushed Steel
- Configurations come with the knife edge back cushion. If you want box edge it must be specified on the order
- Throw pillows not included



STANDARD SEATING MODULES


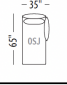


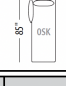
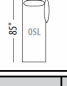
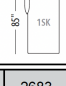
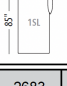






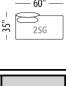




Module #	Price	Brushed Steel upcharge	COM upcharge	Cubage in cubic feet	Module #	Price	Brushed Steel upcharge	COM upcharge	Cubage in cubic feet
Module 05B Left hand facing chair	1745	N/A	121	15.00	Module 05C Right hand facing chair	1745	N/A	121	15.00
		COM yardage: 6.25 yds				COM yardage: 6.25 yds			
Module 15B Left hand facing chair 1/2	1968	N/A	121	17.00	Module 15C Right hand facing chair 1/2	1968	N/A	121	17.00
		COM yardage: 6.75 yds				COM yardage: 6.75 yds			
Module 25B Left hand facing loveseat	2786	N/A	121	24.00	Module 25C Right hand facing loveseat	2786	N/A	121	24.00
		COM yardage: 10.00 yds				COM yardage: 10.00 yds			
Module 35B Left hand facing sofa	3203	N/A	121	29.00	Module 35C Right hand facing sofa	3203	N/A	121	29.00
		COM yardage: 11.00 yds				COM yardage: 11.00 yds			
Module 05D Armless chair	1385	N/A	121	13.00	Module 15D Armless chair 1/2	1608	N/A	121	15.00
		COM yardage: 4.50 yds				COM yardage: 5.00 yds			
Module 25D Armless loveseat	2426	N/A	121	22.00	Module 35D Armless sofa	2842	N/A	121	27.00
		COM yardage: 8.25 yds				COM yardage: 9.25 yds			
Module 55D Armless pentagon	2928	N/A	121	32.00					
		COM yardage: 9.50 yds							
Module 05E Ottoman	878	N/A	121	7.00	Module 15E Ottoman	1029	N/A	121	8.00
		COM yardage: 1.70 yds				COM yardage: 2.00 yds			
Module 25E Ottoman	1412	N/A	121	12.00	Module 35E Ottoman	1686	N/A	121	16.00
		COM yardage: 2.75 yds				COM yardage: 3.25 yds			

LE BEAUMONT

- Made In Canada
- Available in all Trica fabrics. Not available in Leather or faux leather
- Comes with Metal legs available in all powder coated finishes NOT available in Brushed Steel
- Configurations come with the knife edge back cushion. If you want box edge it must be specified on the order
- Throw pillows not included



STANDARD SEATING MODULES

Module #	Price	Brushed Steel upcharge	COM upcharge	Cubage in cubic feet	Module #	Price	Brushed Steel upcharge	COM upcharge	Cubage in cubic feet
Module 0SI Left hand facing 60° chaise 	2279	N/A	121	22.00	Module 0SJ Right hand facing 60° chaise 	2279	N/A	121	22.00
COM yardage: 7.25 yds					COM yardage: 7.25 yds				
Module 1SI Left hand facing 60° chaise 1/2 	2605	N/A	121	27.00	Module 1SJ Right hand facing 60° chaise 1/2 	2605	N/A	121	27.00
COM yardage: 7.75 yds					COM yardage: 7.75 yds				
Module 0SK Left hand facing 80° chaise 	2553	N/A	121	27.00	Module 0SL Right hand facing 80° chaise 	2553	N/A	121	27.00
COM yardage: 7.75 yds					COM yardage: 7.75 yds				
Module 1SK Left hand facing 80° chaise 1/2 	2943	N/A	121	34.00	Module 1SL Right hand facing 80° chaise 1/2 	2943	N/A	121	34.00
COM yardage: 8.75 yds					COM yardage: 8.75 yds				
Module 5SB Left hand facing pentagon chaise 	2683	N/A	121	32.00	Module 5SC Right hand facing pentagon chaise 	2683	N/A	121	32.00
COM yardage: 8.00 yds					COM yardage: 8.00 yds				
Module 0SF Corner 	1892	N/A	121	15.00					
COM yardage: 7.25 yds									
Module 5SK Left hand facing pentagon corner 	2830	N/A	121	32.00	Module 5SL Right hand facing pentagon corner 	2830	N/A	121	32.00
COM yardage: 9.00 yds					COM yardage: 9.00 yds				
Module 2SH Left 60° bumper 	1919	N/A	121	20.00	Module 2SG Right 60° bumper 	1919	N/A	121	20.00
COM yardage: 5.50 yds					COM yardage: 5.50 yds				
Module 3SH Left 80° bumper 	2264	N/A	121	24.00	Module 3SG Right 80° bumper 	2264	N/A	121	24.00
COM yardage: 6.25 yds					COM yardage: 6.25 yds				
Module 5SJ Left pentagon bumper 	2350	N/A	121	29.00	Module 5SI Right pentagon bumper 	2350	N/A	121	29.00
COM yardage: 6.50 yds					COM yardage: 6.50 yds				