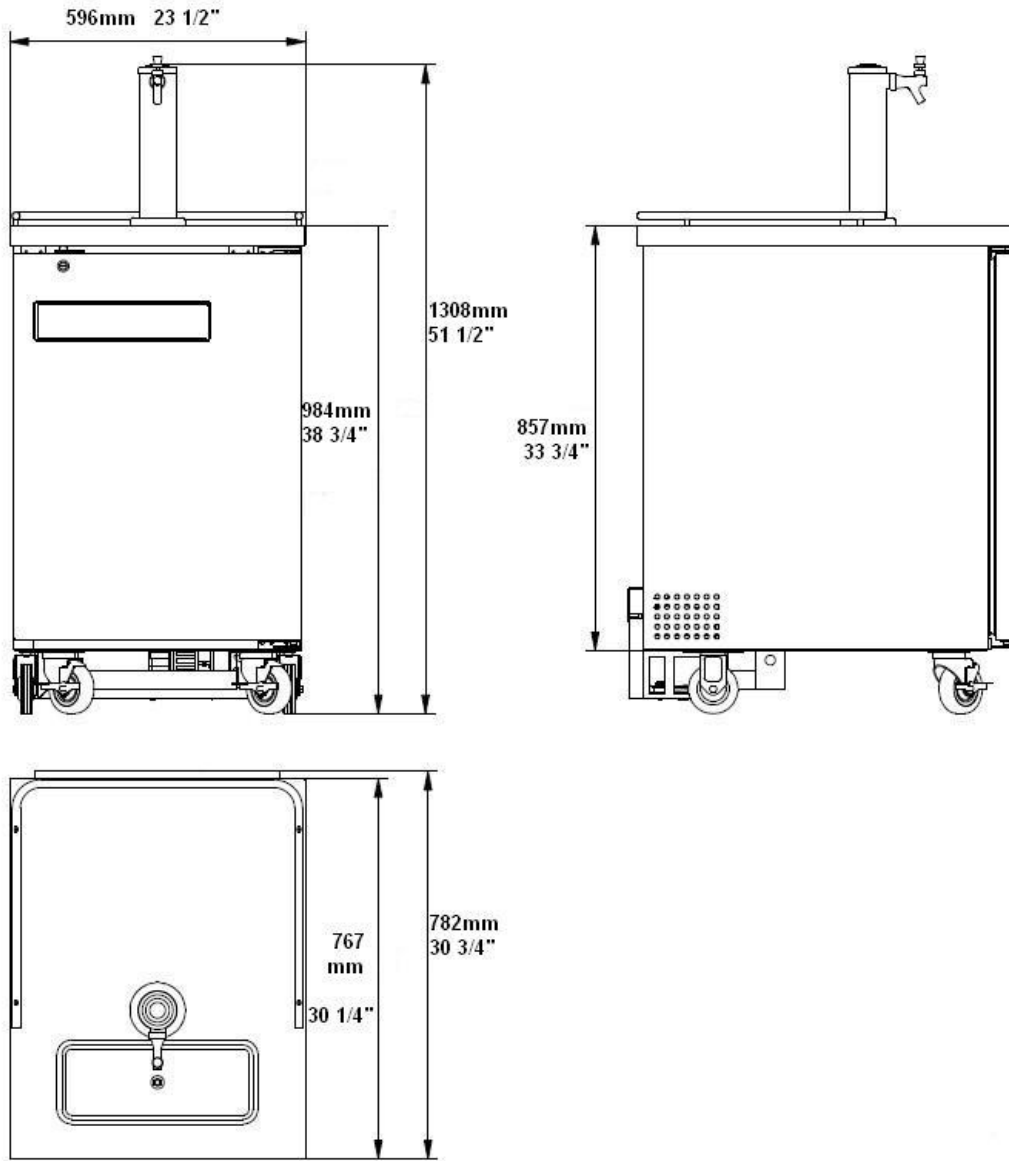
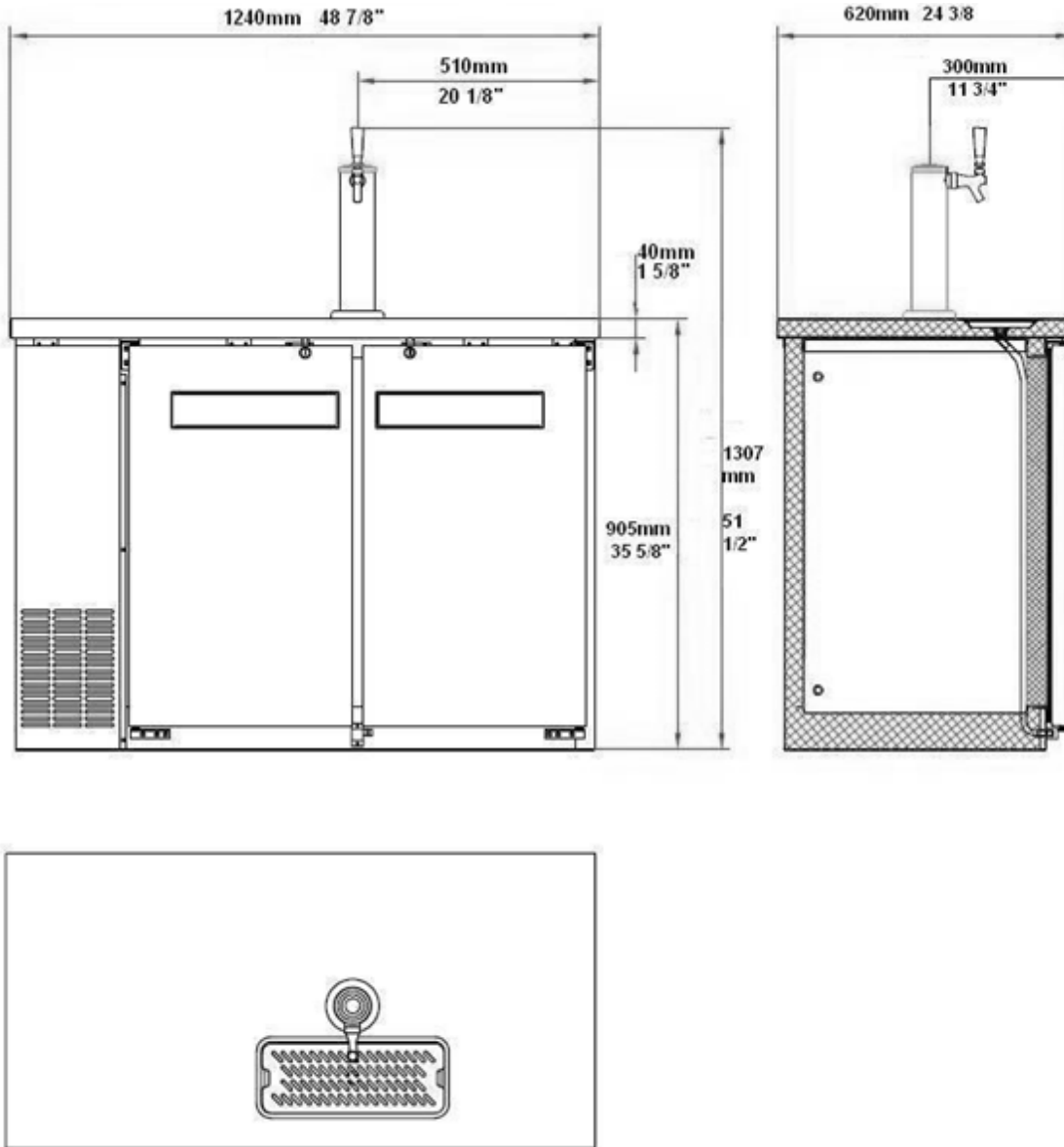


CBBSDD1-24CC Specifications



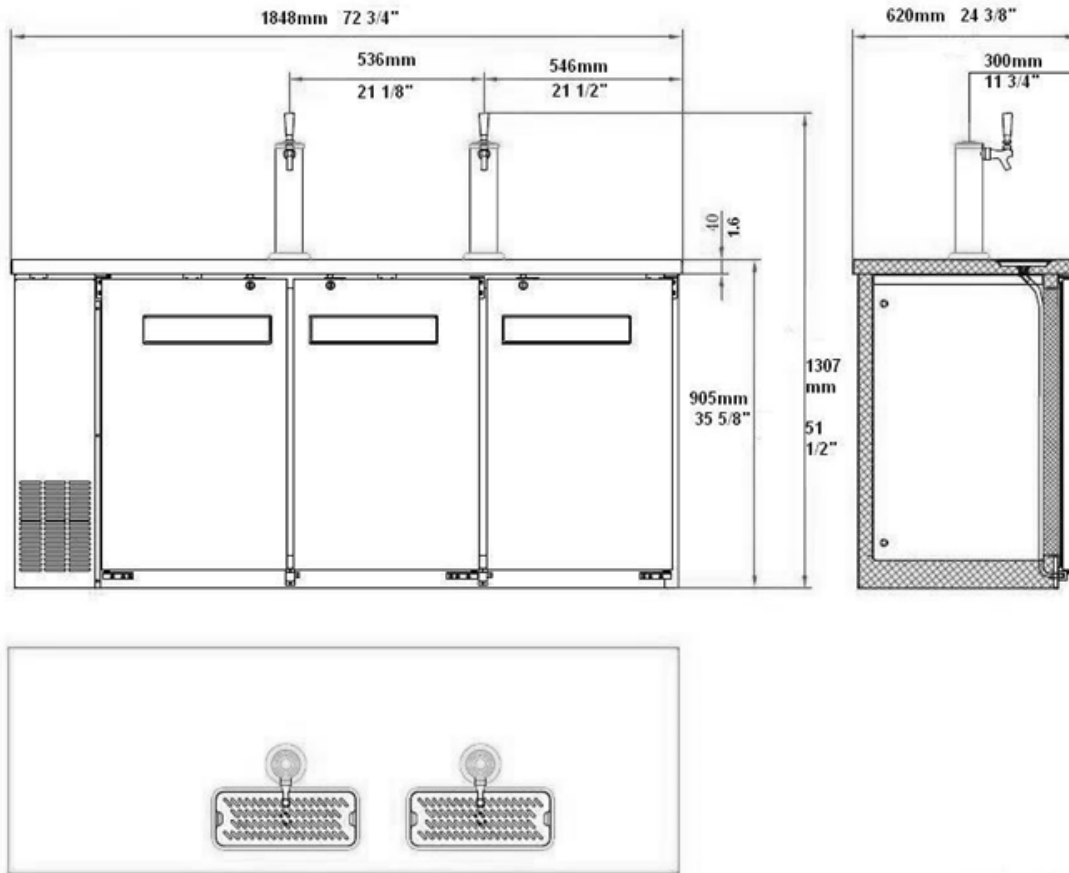
Model	Doors	Dimension (mm) (inch)			HP	Voltage	Amps	Capacity 1/2 Barrels	Net Weight (KG) (LBS)	Temperature Range	NEMA Config.
		L	D	H							
CBBSDD1-24CC	1	596.9	782.3	985.5	1/6+	115/60/1	1.92	1	79.8	0.5 ~ 5°C	5-15P ⓘ
		23.5	30.8	38.8					176	33 ~ 41°F	

CBBSDD2-48CC Specifications



Model	Doors	Dimension (mm) (inch)			HP	Voltage	Amps	Capacity 1/2 Barrels	Net Weight (KG) (LBS)	Temperature Range	NEMA Config.
		L	D	H							
CBBSDD2-48CC	2	1242.1	619.8	904.2	1/3+	115/60/1	3	2	145	0.5 ~ 5°C	5-15P ⓘ
		48.9	24.4	35.6					319	33 ~ 41°F	

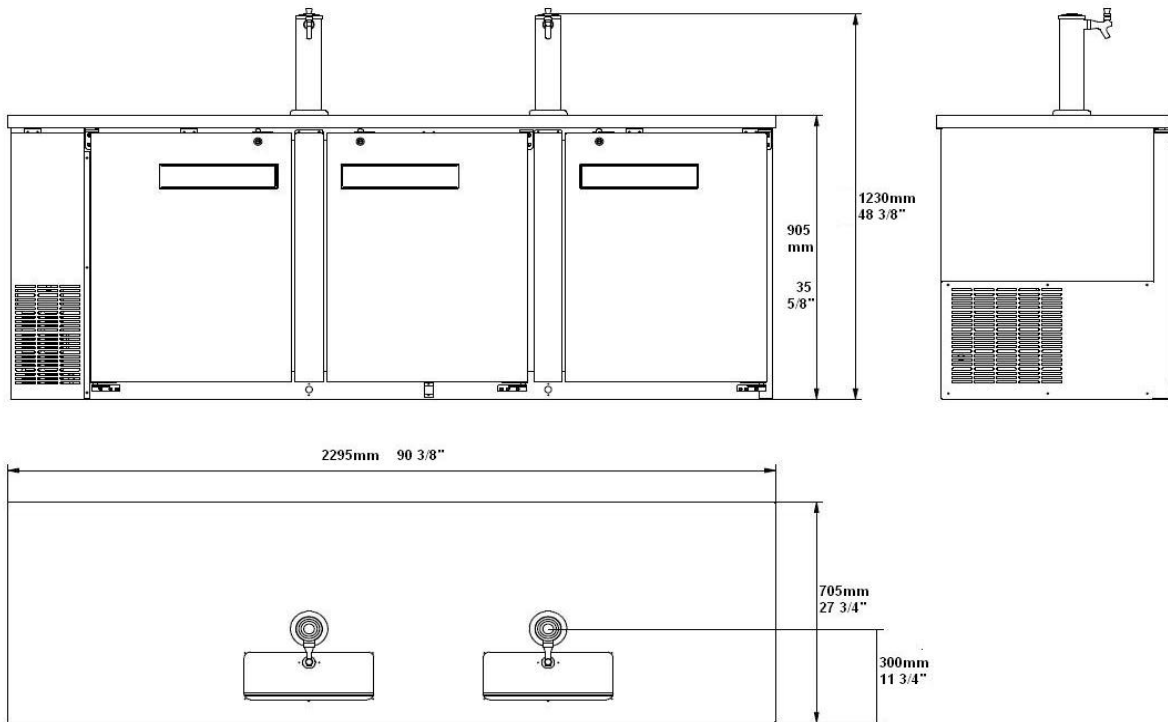
CBBSDD3-72CC Specifications



Model	Doors	Dimension (mm) (inch)			HP	Voltage	Amps	Capacity 1/2 Barrels	Net Weight (KG) (LBS)	Temperature Range	NEMA Config.
		L	D	H							
CBBSDD3-72CC	3	1851.7	619.8	904.2	1/3+	115/60/1	3.96	3	174.6	0.5 ~ 5°C	5-15P ⓘ
		72.9	24.4	35.6					385	33 ~ 41°F	

CBBSDD3-90CC

Specifications



Model	Doors	Dimension (mm) (inch)			HP	Voltage	Amps	Capacity 1/2 Barrels	Temperature Range	NEMA Config.
		L	D	H						
CBBSDD3-90CC	3	2295	705	905	1/3+	115/60/1	4.68	4	0.5 ~ 3.3°C	5-15P
		90.4	27.75	35.6					33 ~ 38 °F	