

Stretch Cover Sizing Guide

To help us accurately determine the size of your stretch cover, we must gather some information on the size and style of the table you wish to cover. Fill out the information below and fax or email this form to your sales person.

STANDARD TABLE

TAKE TABLE MEASUREMENTS:

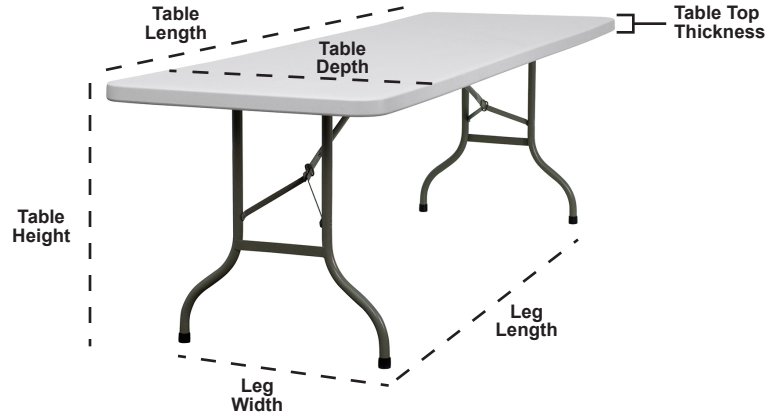
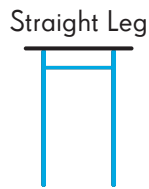
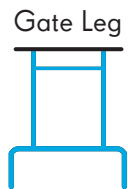


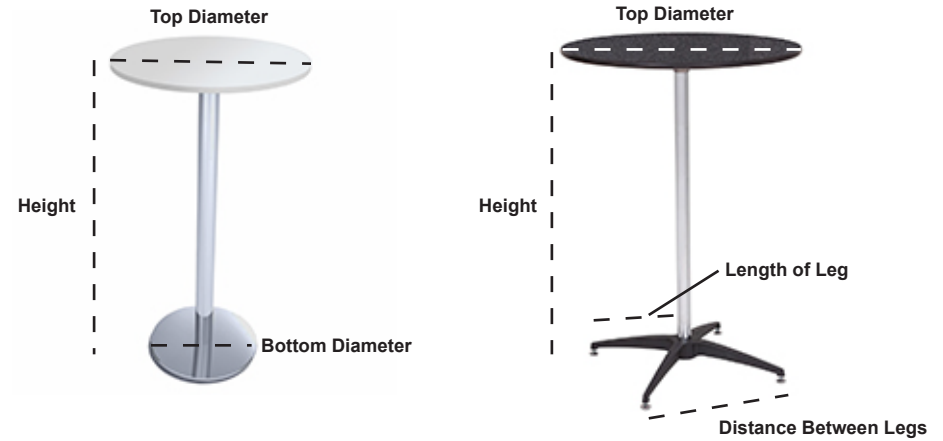
Table Length: _____ x Table Depth: _____ x Table Height: _____
 Leg Width: _____ x Leg Length: _____
 Table Top Thickness: _____

SPECIFY BASE TYPE:



ROUND TABLE

TAKE TABLE MEASUREMENTS:



Diameter of Table Top: _____ x Height: _____
 Bottom Diameter or Leg Dimensions: _____

SELECT A COLOR:



White



Black



Royal

PMS 2935u



Red

PMS 186c



Hunter

PMS 3305c



Wine

PMS 202c