

SANGAMO 24 HOUR DIAL SYNCHRONOUS TIME SWITCHES MODELS S610 & S612

IMPORTANT

Although every care is taken to ensure the accuracy of the electrical circuit diagrams shown. SCHLUMBERGER INDUSTRIES ELECTRICITY MANAGEMENT or associated companies cannot be held responsible or liable for circuit connections other than those directly associated with the S600 range of time switches.

ELECTRICAL CONNECTIONS

Installation should be carried out by a qualified electrician in accordance with IEE regulations.

Fig.1

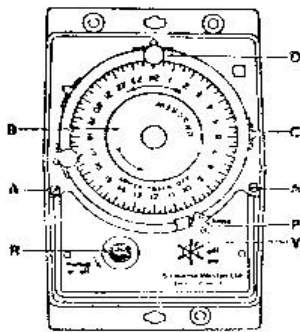
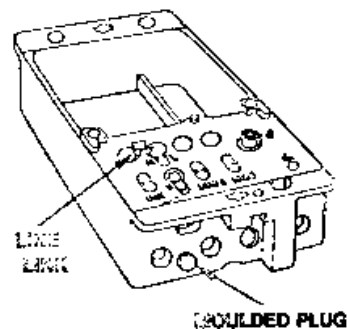


Fig.2



TO INSTALL

- 1 Remove front cover by releasing the two locking keys and lift clear.
- 2 Loosen captive screws A (Fig 1) and withdraw mechanism from base.
- 3 Check voltage and frequency on motor housing.
- 4 Secure base with three No. 6 countersunk wood screws or three No. 4 BA countersunk screws. (When mounting this time control on a metal surface ensure the metal is adequately earthed to cover 30A resistive rating in accordance with IEE regulations).
- 5 Remove extended terminal cover when fitted.
- 6 Connect switch to supply. (See relevant wiring diagram). Switches are supplied suitable for common motor connections (Fig 3). For independent motor connections (Fig 4) remove line link and moulded plug (Fig 2).
- 7 The maximum lengths for which the cable may be bared are 0.85 in. (21.6 mm) for line and load and 0.6 in. (15.2 mm) for neutral.
- 8 Fit mechanism to base and tighten screws A.

TO SET DIAL (Fig 1)

- 9 Loosen broad-headed, central screw B and remove dial assembly.
- 10 Slacken locating screws securing targets C and D. Move targets to required operating times, setting 'on' target C against engraved scale on underside of dial and 'off' target D against upper scale. (Both upper and lower scales are calibrated in 15-minute divisions). Tighten locating screws so that targets are held firmly in position.
- 11 Replace dial assembly and tighten screw B.
- 12 Turn dial in direction of arrow until pointer P indicates time of day at moment of setting. Allow for backlash by lightly turning dial in opposite direction to arrow.

MINIMUM PERIOD BETWEEN OPERATIONS

- 13 The minimum setting period between 'on' and 'off' targets is 15 minutes. Where additional targets are fitted, there must be at least 90 minutes between consecutive 'on' or 'off' targets.

ON/OFF INDICATOR V (FIG 1)

14



MANUAL OPERATION (FIG 1)

- 15 Rotating knob R (Fig 1) in an anti-clockwise direction opens or closed the switch contacts, anticipating the next operation. For continuous 'on' or continuous 'off' operations of the switch (model S612), set as required and as indicated on Indicator V (Fig 1), then turn knob R (Fig 1) clockwise to lock; it will remain locked until the next manual operation is performed.

WIRING DIAGRAMS

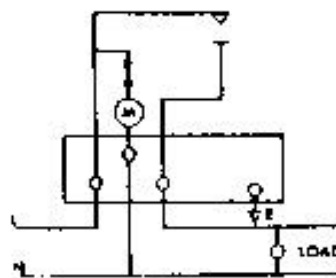


Fig. 3

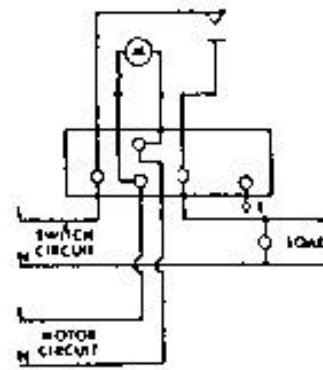


Fig. 4

WARNING

This control must be earthed. Terminals are for fixed wiring only. Provision must be made in the fixed wiring for a means of disconnection from the supply having a contact separation of at least 3mm on all poles.

**SCHLUMBERGER
INDUSTRIAL ESTATE
PORT GLASGOW
RENFREWSHIRE
PA14 5XG**

TEL: 01475 745131 FAX: 01475 744536
EMAIL: marketing@port-glasgow.rms.slb.com
www.sangamo.co.uk