

Standard RPTS Q563 24 Hour, 4-pin Time Switch with 2 or 3 ON/OFF Changeover Operations with 100 Hour Battery Reserve



Benefits

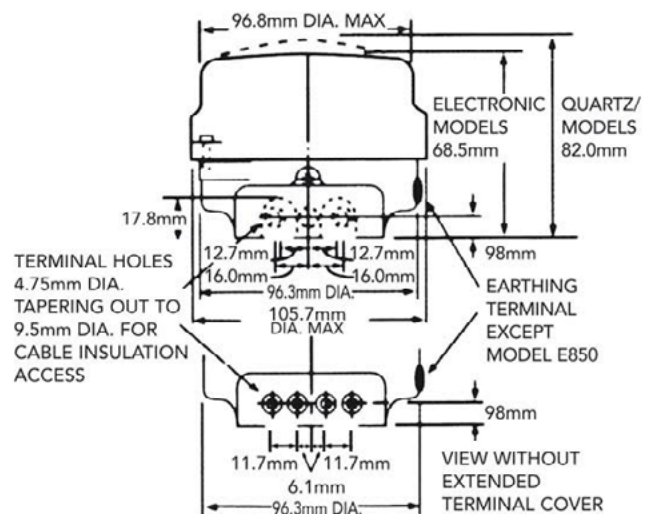
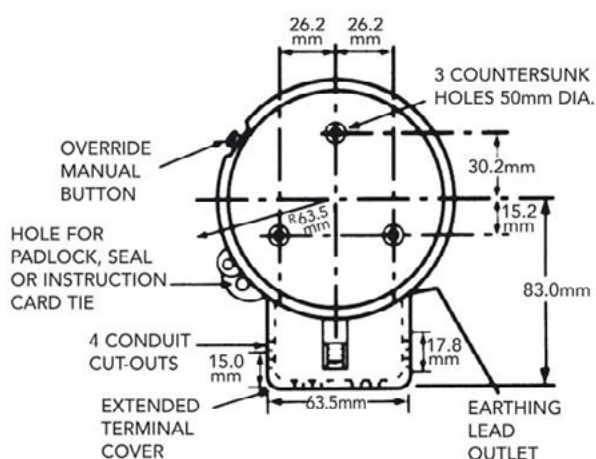
- Q563 - 24 hour quartz controlled with battery reserve, 4 pin base.
- .2 - Up to two ON and two OFF changeover operations per day.
 - .3 - Up to three ON and two OFF changeover operations per day.

The 24 hour programming cycle performs the same sequence of switching operations on each day and can be quickly and easily set using the small manual levers on the dial.

A “day omission” device allows you to select any number of days in the week on which the switch will be disabled.

A general purpose changeover time switch suitable for applications where alternating between two circuits is necessary e.g. boilers, compressors.

Dimensions

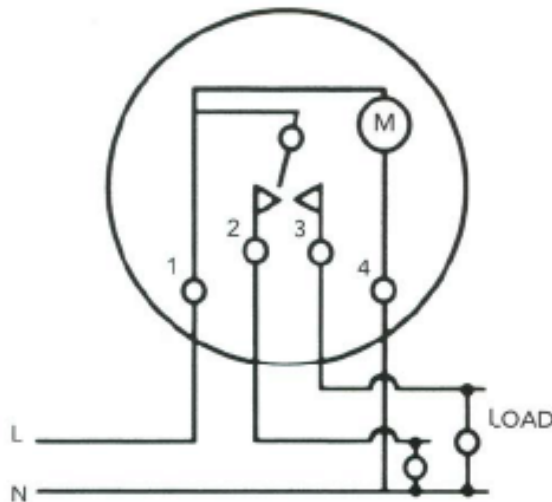


Technical Data

Programming	24 hour program with 2 or 3 ON/OFF changeover operations per day
Display	24 hour dial
Mounting	Surface mounting
Current Rating	SPDT: 20amp resistive
Supply	230V, 50/60 Hz a.c.
Base Type	4 Pin
Reserve	100 hrs (providing battery has been charged for 300 hrs)
Day Omission	Yes (omits the "ON" operation)
Temp Override Facility (Manual Button)	Advance to "OFF", when program "ON" and will remain "OFF" unit next "ON" operation and vice versa
Cable Size	6.0mm ²
Timing Accuracy	5 mins/year
Power Consumption	0.6W at 230V
Ambient Temperature Range	Designed to operate over a temperature range of 0°C to 50°C continuous
Live Parts Protection	This timer is totally protected by its enclosure
Dirt Protection	Normal domestic dust deposits only
Moisture Protection	Ordinary: has no special protection against moisture
Shock Protection	Class 1 (Product must be earthed)
Dial Calibration	15 min divisions
Setting Accuracy	+/- 3 minutes
Conforms To	BS EN60730
Dimensions	Height (wall mounted) 136mm, width 105.7mm, projection 82mm, (Total height 146.5mm)

Electrical Connections

Internal Wiring Diagram



Contact Us: 01475 745131

CUSTOMER CARE POLICY

As part of Sangamo's continuous improvement program, the Company operates a Customer Care Policy. This means that we welcome your comments and complaints, as it can only help us to improve our services to you, our customer.

SANGAMO

Sangamo Limited, Industrial Estate, Port Glasgow,
Renfrewshire PA14 5XG

Tel: 01475 745131 Fax: 01475 744567

Email : enquiries@sangamo.co.uk Web: www.sangamo.co.uk