

## Standard DIN 25162 Two Module, Single Channel, Yearly Time Switch



### Benefits

A 365 day, single channel, solar din rail timer. Yearly programming with Easter function, Weekday function and Extra-switching function. Text based menu system and self explanatory symbols displayed on a large, backlit dot matrix area to provide two high resolution text lines. Pulse programming allows you to set small bursts (e.g. school bells) in 1 second steps. The 25162 can be extremely quick and easy to program, it can be programmed with supply disconnected and has the ability to program via your computer using Sangamo's optional Easy Vue software and USB link (25195 - not supplied) and backed up or transferred via a programming key (25193 - not supplied).

All three products are also available as a combined pack (25999).

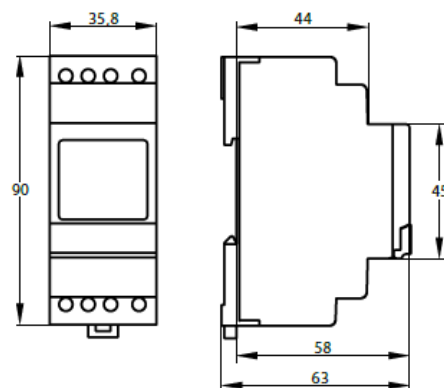
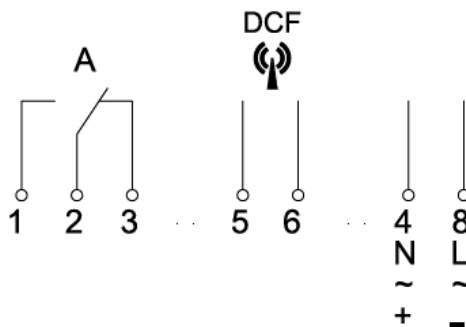
### Features

- 1 channel
- Daily, weekly and yearly program
- 300 memory locations
- Manual override/permanent override
- 10 years battery reserve
- Minimum interval 1 min.
- Switching capacity 16A
- Permanent by date/holiday function
- Manual permanent mode
- Manual override
- Automatic sorting of switching times on readout
- Unrestricted block programming
- Fully automatic daylight saving time
- Elapsed time and pulse counter
- Pulse function
- Cycle function
- Timer function
- Channel button function
- DCF function (with additional accessory)
- Security by PIN-code
- Illuminated display
- Compact 35mm wide housing
- Data-key function (with 25193)

## Technical Data

Supply voltage	230 V, 50-60 Hz
Power consumption (real power)	1.4- 1.9 W (depending on the switching status)
Channel (potential-free)	Change-over, contact gap <math>< 3\text{mm}(\mu)</math>
Contact material	AgSnO <sub>2</sub>
Switching capacity	16A / 250 V ~ at $\cos = 1$ 6A with inductive load $\cos = 0.6$
Filament Lamp	2,000 W
Halogen Lamp	2,000 W
Fluorescent Lamp uncompensated	1,000 VA
Fluorescent Lamp series compensated	1,000 VA
Fluorescent Lamp parallel compensated	550 VA
Fluorescent Lamp double switch	1,000 VA
Mercury Discharge Lamp uncompensated	4 x 125 W, 2 x 250 W, 1 X 400 W, 1 x 700 W
Mercury Discharge Lamp parallel compensated	6 x 50 W (7 $\mu\text{F}$ ), 4 x 125 W (10 $\mu\text{F}$ ), 2 x 250 W (18 $\mu\text{F}$ ) 1 x 400 W (25 $\mu\text{F}$ ), 1 x 700W (40 $\mu\text{F}$ )
Sodium Discharge Lamp uncompensated	2 x 250 W, 1 x 400 W
Sodium Discharge Lamp parallel compensated	2 x 150 W(20 $\mu\text{F}$ ), 1 x 250 W (32 $\mu\text{F}$ ), 1 x 400 W (45 $\mu\text{F}$ )
Compact Fluorescent Lamp convent. lamp ballast	1,000 VA
Compact Fluorescent Lamp electron. lamp ballast	4 x electronic lamp ballast, power independent
Switching functions	ON, OFF; Pulse, cycle, yearly program
Pulse length - Pulse function (switching time)	00:01 up to 59.59 mm:ss
Pulse length - Timer (man. switching)	0:00:01 up to 9:59:59 h:mm:ss
Memory Locations	300
Minimum interval	1 min
Power back-up (at 20°C)	approx. 6 years
Quartz cryst. accuracy (at 20°C)	<math>\leq \pm 1.0 \text{ sec/day}</math>
Permitted ambient temperature	-30°C to +55°C
Enclosure	self-extinguishing thermoplastic
Distribution board mounting	35 mm DIN-rail (DIN EN 50022)
Type of protection	IP20 to DIN EN 60529
Class of protection	II when installed according to regulations

## Electrical Connections



### Contact Us: 01475 745131

#### CUSTOMER CARE POLICY

As part of Sangamo's continuous improvement program, the Company operates a Customer Care Policy. This means that we welcome your comments and complaints, as it can only help us to improve our services to you, our customer.

Sangamo Limited, Industrial Estate, Port Glasgow,  
Renfrewshire PA14 5XG

Tel: 01475 745131 Fax: 01475 744567

Email : enquiries@sangamo.co.uk Web: www.sangamo.co.uk