

CHOICE ABV - Automatic Bypass Valve



- **Regulates heating system differential pressure**
- **High Capacity flow up to 50 litres per minute**
- **Adjustable differential pressure range 0.1 to 0.6 bar**
- **22mm compression fitting**
- **3 bar max pressure**
- **110 DegC max temperature**

The Choice bypass valve should be fitted where a boiler bypass is required - typically this is the case where a system is equipped with a thermostatic radiator valve, and to allow pump over run operation after the zone valves have closed down.

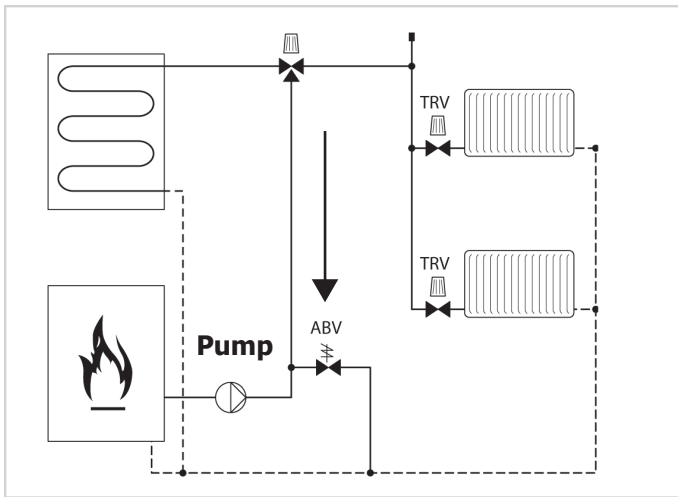
TRV's or zone valve closing, eliminate pump impeller wear that can result from high flow resistance, and enhance the life of the boilers heat exchanger by ensuring minimum flow rate at all times.

Application:

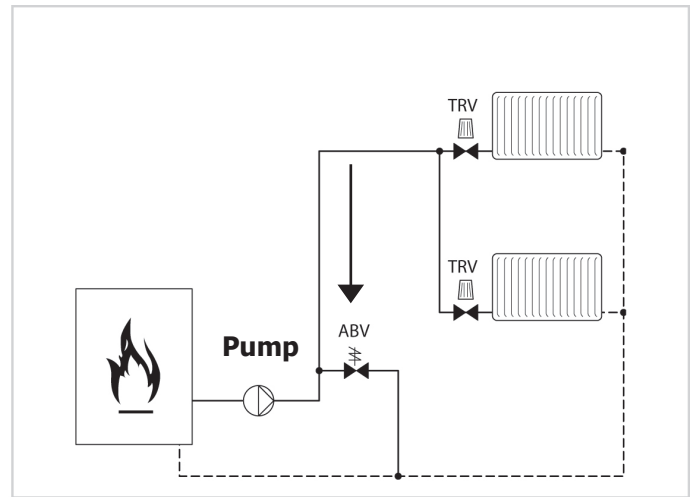
TRV's slowly close down after each radiator raises the room temperature. To overcome flow restrictions as TRV's close down, the ABV is adjusted to the required set point. As the system resistance increases due to TRV's closing, the ABV allows flow to increase, in order to maintain the required pre-set system differential pressure. The regulation provided will reduce system noise that can result from

Installation:

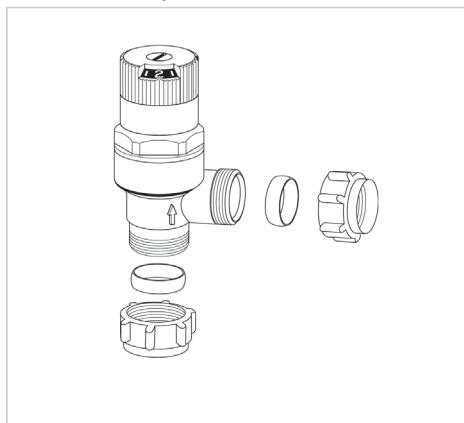
Installation should be in a loop between flow and return after the pump. Ensure that the flow is in the direction of the arrow on the ABV body. Rotate the adjustment head until the required setting number is visible, and lock the valve at the point by tightening the screw on the top of the adjuster. Refer to the recommendations in the boiler instructions and the pressure/flow rate details below to decide which setting is required.



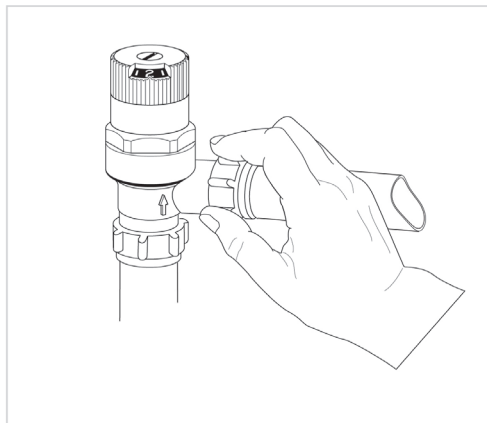
System with stored hot water



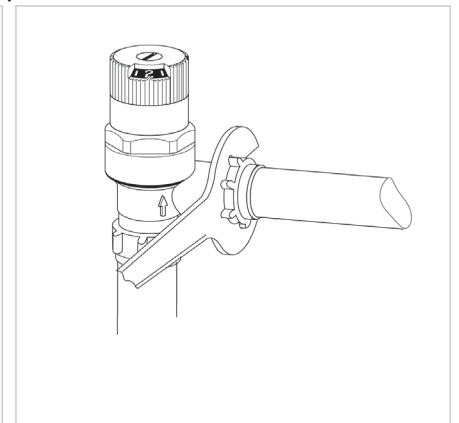
System with combi boiler



Can be mounted in any direction but for ease to setting, the window on the cap should be forward facing



Install the Choice Bypass Valve with flow in the direction of the arrow on the body

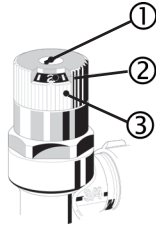


Use a correctly sized open ended spanner to tighten. Do not over tighten.

Setting Procedure

- 1) Commission and balance the Heating System - take note of the selected pump speed.
- 2) Using the Boiler manufacturer's instructions, find the minimum flow requirement for the Boiler.
- 3) Using the Pump manufacturer's Pump curves determine the available Pump head when operating at the required minimum flow and the selected Pump speed.
- 4) Using the Choice Bypass valve Setting chart, the calculated Pump Head and the minimum Boiler Flow to find the optimum setting for the Choice Bypass valve

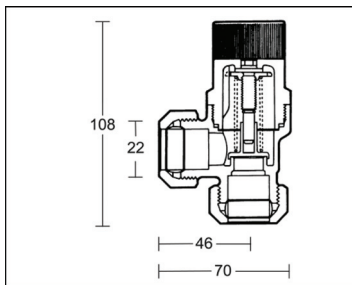
Note: Loosen the locking screw (1) and turn the adjustment knob (3) to the setting.



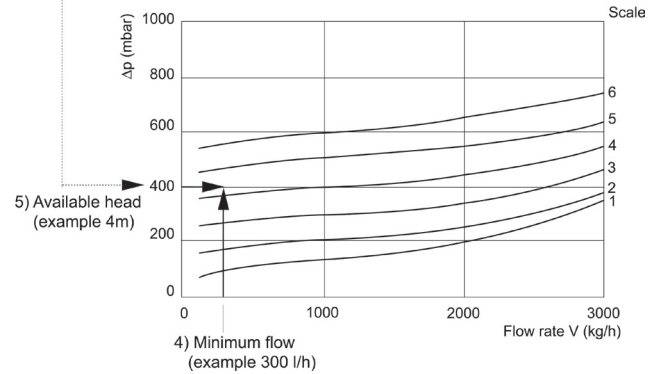
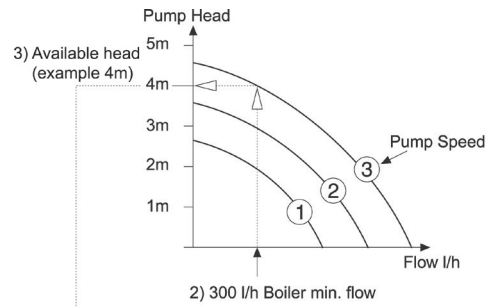
Should persistent water velocity noise occur in the Heating System, gradually turn the Choice Bypass Valve to a lower setting until the noise is eliminated.

Important: Do not screw the setting position beyond position 6. Damage to the ABV will result!

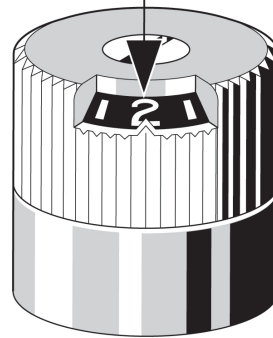
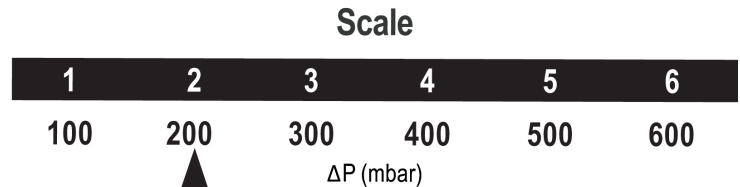
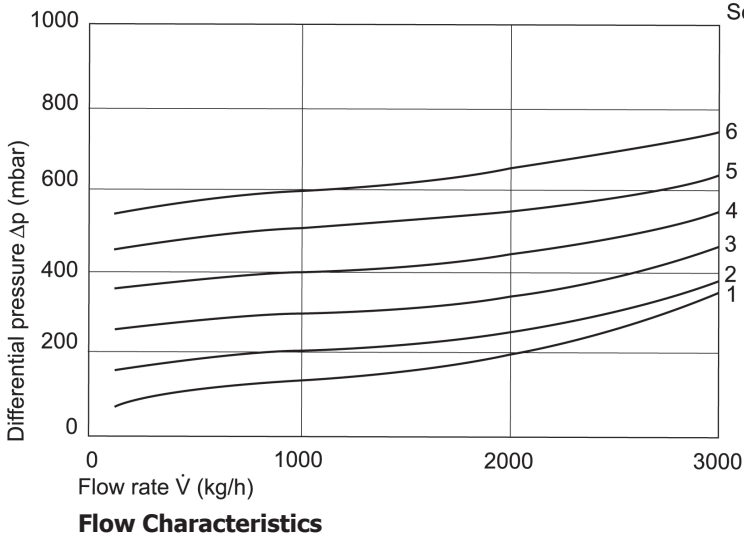
Dimensions mm



Example: Minimum flow 300l/h - Pump speed 3. Pump chart indicates 4m head (Use Pump Manufactures chart).



Using Choice Bypass Valve Setting chart: 4m Head/Minimum Flow 300 I/h
Result = Set Choice Bypass Valve to setting 4.2



Technical Helpline: 01475 745131



SERVICE AND WARRANTY

Your product is not user serviceable. PLEASE DO NOT TRY TO DISMANTLE THE UNIT. This product is guaranteed by your supplier for 3 years from the Date of Manufacture. If it should become defective, please contact your installer or supplier for a replacement unit or visit www.sangamo.co.uk/returns. An extended warranty may be purchased online (www.sangamo.co.uk/warranty)

CUSTOMER CARE POLICY

As part of Sangamo's continuous improvement program, the Company operates a Customer Care Policy. This means that we welcome your comments and complaints, as it can help us to improve our services to you, our customer.

Due to our policy of continuous product improvement and development, the specifications in this guide may be subject to change without prior notice.

Sangamo Limited, Industrial Estate, Port Glasgow, Renfrewshire PA14 5XG

Tel: 01475 745131 Fax: 01475 744567

Email: enquiries@sangamo.co.uk Web: www.sangamo.co.uk