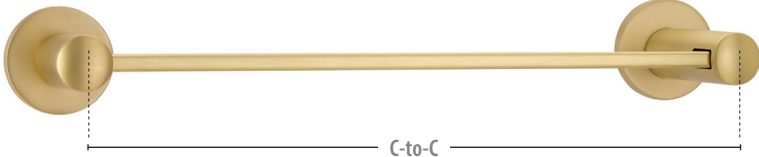
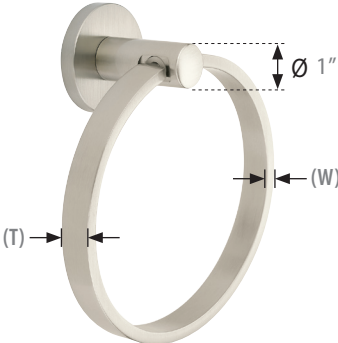


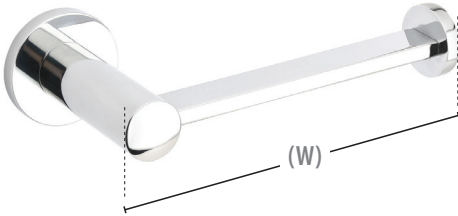
# MODERN BRASS BATH HARDWARE

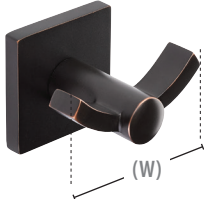
Technical Specifications

# EMTEK®

MODERN BRASS TOWEL BAR <i>with Small Disc Rosettes</i>	Product Code	C-to-C
 <p style="text-align: center;">C-to-C</p>	28024	12"
	28021	18"
	28022	24"
	28023	30"
Projection with Rosettes Shown		3 3/8"
Bar Dimensions		5/16" x 3/4"

MODERN BRASS TOWEL RING <i>with Small Disc Rosette</i>	Product Code	Overall	
 <p style="text-align: center;">Ø 1"</p> <p style="text-align: center;">(W)</p> <p style="text-align: center;">(T)</p>	2801	6 1/2"	
	Projection with Rosette Shown		2 5/8"
	Thickness (T)		3/4"
	Width (W)		3/8"

MODERN BRASS PAPER HOLDER - BAR STYLE <i>with Small Disc Rosette</i>	Product Code		
 <p style="text-align: center;">(W)</p>	2804		
	Projection with Rosette Shown		2 7/8"
	Bar Dimensions		5/16" x 3/4"
	Width (W)		6 3/8"

MODERN BRASS DOUBLE HOOK <i>with Square Rosette</i>	Product Code		
 <p style="text-align: center;">(W)</p>	2809		
	Projection with Rosette Shown		2 7/8"
	Width (W)		3 3/8"

Rosettes
<p>3/8" Thick</p> <p>Disk (09)</p>  <p>2 1/2" Dia.</p>
<p>Modern Rectangular (12)</p>  <p>2 1/2" x 4"</p>
<p>Square (10)</p>  <p>2 1/2" x 2 1/2"</p>
<p>Urban Modern (16)</p>  <p>2 1/2" x 2 1/2"</p>
<p>Small Disc (00)</p>  <p>2" Dia.</p>
<p>1/2" Thick</p> <p>Neos (11)</p>  <p>2 5/8" x 4"</p>

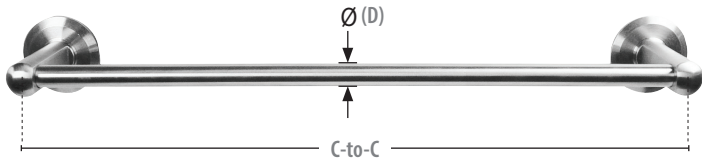
> Rosette size same as on passage sets

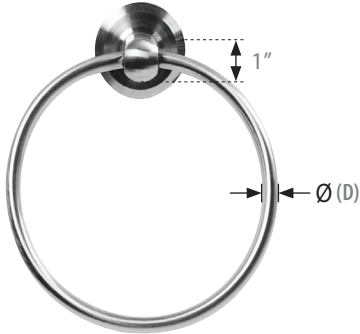
> Please see page 15-17 for additional Rosette options and dimensions.

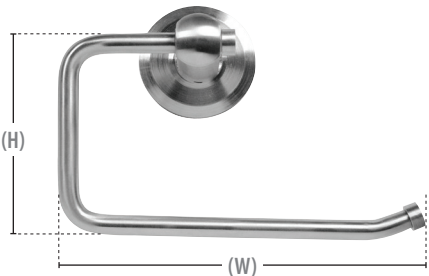
# STAINLESS STEEL BATH HARDWARE

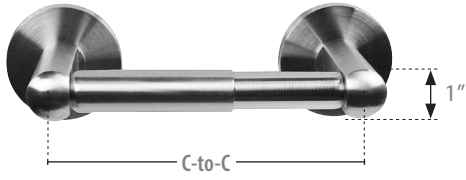
## Technical Specifications

# EMTEK®

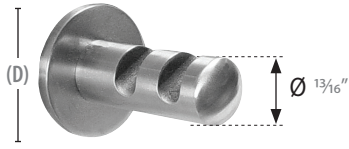
STAINLESS STEEL TOWEL BAR <i>with Beveled Rosettes</i>	Product Code	C-to-C
	S7040	12"
	S7010	18"
	S7020	24"
	S7030	30"
	Projection with Rosettes Shown	3 5/16"
	Bar Diameter (D)	5/8"

STAINLESS STEEL TOWEL RING <i>with Beveled Rosette</i>	Product Code	Overall	
	S7300	6 7/8"	
		Projection with Rosette Shown	2 13/16"
		Diameter (D)	3/8"

STAINLESS STEEL PAPER HOLDER - BAR STYLE <i>with Beveled Rosette</i>	Product Code	
	S7210	
	Projection with Rosette Shown	3 5/16"
	Bar Height (H)	3 7/8"
	Bar Width (W)	6 3/8"

STAINLESS STEEL PAPER HOLDER - SPRING ROD STYLE <i>with Disk Rosettes</i>	Product Code	C-to-C
	S7220	6 3/16"
	Projection with Rosettes Shown	3 3/8"

> Please see page 15-17 for additional Rosette options and dimensions.


STAINLESS STEEL SINGLE HOOK	Product Code	
	S71001	
	Projection	2 5/8"
	Rosette Diameter (D)	1 3/4"

>> Rosette options are not available for this product.

**Rosettes**

3/8" Thick


Beveled (1)



2 7/16" Dia.


**Discontinued. No Longer Available**

Disk (2)



2 1/2" Dia.

Square (3)



2 1/2" x 2 1/2"

> Rosette size same as on passage sets

# TRANSITIONAL BRASS BATH HARDWARE

Technical Specifications

# EMTEK®

**TRANSITIONAL BRASS TOWEL BAR** *with Disk Rosettes*

Product Code	C-to-C
29025	12"
29026	18"
29027	24"
29028	30"

Projection with Rosettes Shown  
3 3/8"

Diameter (D)  
3/4"

**TRANSITIONAL BRASS TOWEL RING** *with Modern Rectangular Rosette*

Product Code
2901

Projection with Rosette Shown  
3 1/4"

Bar Width (W)  
7"

Bar Height (H)  
6"

**TRANSITIONAL BRASS PAPER HOLDER - BAR STYLE** *with Quincy Rosette*

Product Code
2904

Projection with Rosette Shown  
3 3/8"

Bar Width (W)  
6 7/8"

Bar Height (H)  
4 1/4"

**TRANSITIONAL BRASS SINGLE HOOK WITH ROSETTE** *with Disk Rosette*

Product Code
2909

Projection with Rosette Shown  
2 7/8"

**Rosettes**

3/8" Thick

Regular (0) 2 3/4" Dia.	Rectangular (3) 4 3/8" x 2 9/16"
#8 (8) 4 3/8" x 2 9/16"	Quincy (31) 2 1/2" x 2 1/2"
Disk (09) 2 1/2" Dia.	Square (10) 2 1/2" x 2 1/2"
Modern Rectangular (12) 2 1/2" x 4"	Small Disc (00) 2" Dia.
Watford (22) 2 1/2" Dia.	Small Regular (20) 2" Dia.

7/16" Thick

Oval (2) 4 1/2" x 2 1/2"	Wilshire (61) 3" x 2 1/2"
-----------------------------	------------------------------

1/2" Thick

Neos (11) 2 5/8" x 4"
--------------------------

> Please see page 15-17 for additional Rosette options and dimensions.

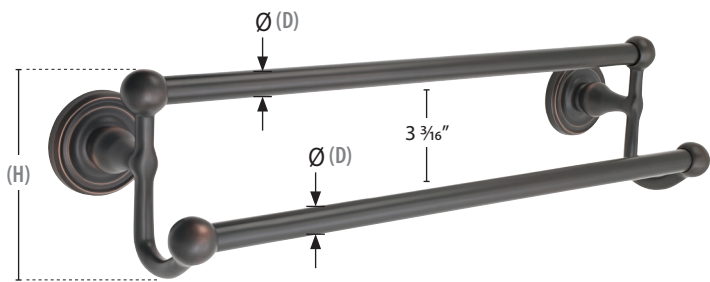
> Rosette size same as on passage sets

# TRADITIONAL BRASS BATH HARDWARE

Technical Specifications

# EMTEK®

## BRASS DOUBLE TOWEL BAR with Regular Rosettes



Product Code C-to-C

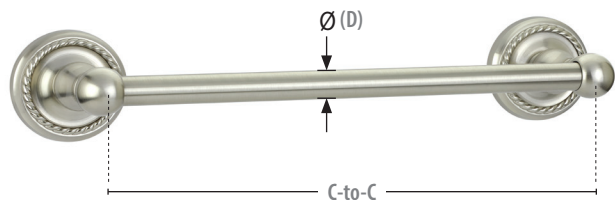
26031 18"  
26032 24"  
26033 30"

Projection with Rosettes Shown  
5 3/8"

Diameter (D)  
1 1/16"

Overall Height  
4 3/4"

## BRASS TOWEL BAR with Rope Rosettes



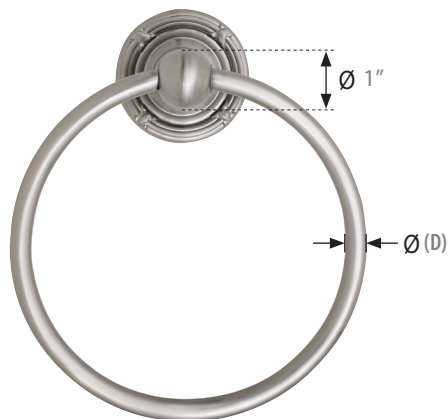
Product Code C-to-C

26024 12"  
26021 18"  
26022 24"  
26023 30"

Projection with Rosettes Shown  
3 3/8"

Diameter (D)  
1 1/16"

## BRASS TOWEL RING with Ribbon & Reed Rosette



Product Code Overall

2601 6 7/8"

Projection with Rosette Shown  
2 5/8"

Diameter (D)  
7/16"

## Rosettes

3/8" Thick

Regular (0)



2 3/4" Dia.

Rope (1)



2 3/4" Dia.

Rectangular (3)



4 3/8" x 2 9/16"

Quincy (31)



2 1/2" x 2 1/2"

Lancaster (6)



2 3/4" Dia.

Ribbon & Reed (7)



2 3/4" Dia.

#8 (8)



4 3/8" x 2 9/16"

Small Regular (20)



2" Dia.

7/16" Thick

Oval (2)



4 1/2" x 2 1/2"

Wilshire (61)



3" x 2 1/2"

1/2" Thick

Arts & Crafts  
Rectangular (05)



4" x 2 1/2"

> Rosette size same as on passage sets

> Please see page 15-17 for additional Rosette options and dimensions.

# TRADITIONAL BRASS BATH HARDWARE

Technical Specifications

# EMTEK®

BRASS PAPER HOLDER - BAR STYLE <i>with Rope Rosette</i>	Product Code
	2604
	Projection with Rosette Shown 3 3/8"
	Bar Width (W) 6 3/4"
	Bar Height (H) 3 15/16"

BRASS PAPER HOLDER - SPRING ROD STYLE <i>with Lancaster Rosettes</i>	Product Code
	2605
	C-to-C 6"
	Projection with Rosettes Shown 3 3/8"

BRASS DOUBLE HOOK WITH ROSETTE <i>with Oval Rosette</i>	Product Code
	2609
	Projection with Rosette Shown 2 7/8"
	Width (W) 3 3/8"

BRASS SINGLE HOOK POST <i>with Lancaster Rosette</i>	Product Code
	2608
	Projection with Rosette Shown 3 1/2"

> Please see page 15-17 for additional Rosette options and dimensions.

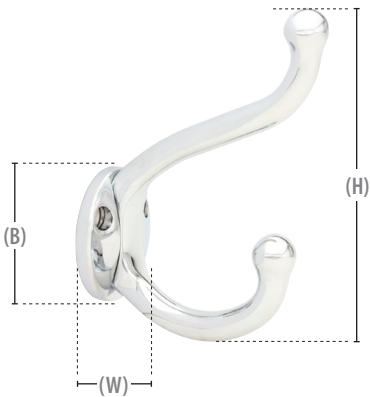
Rosettes	
<i>3/8" Thick</i>	
Regular (0)  2 3/4" Dia.	Rope (1)  2 3/4" Dia.
Rectangular (3)  4 3/8" x 2 9/16"	Quincy (31)  2 1/2" x 2 1/2"
Lancaster (6)  2 3/4" Dia.	Ribbon & Reed (7)  2 3/4" Dia.
#8 (8)  4 3/8" x 2 9/16"	Small Regular (20)  2" Dia.
<i>7/16" Thick</i>	
Oval (2)  4 1/2" x 2 1/2"	Wilshire (61)  3" x 2 1/2"
<i>1/2" Thick</i>	
Arts & Crafts Rectangular (05)  4" x 2 1/2"	

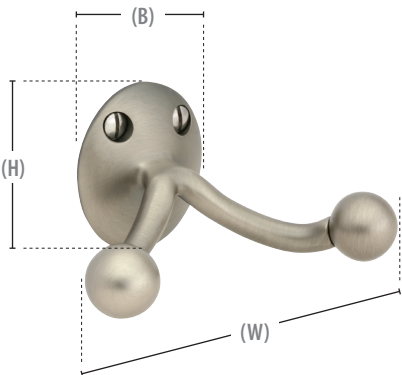
> Rosette size same as on passage sets

# TRADITIONAL BRASS BATH HARDWARE

Technical Specifications

EMTEK®

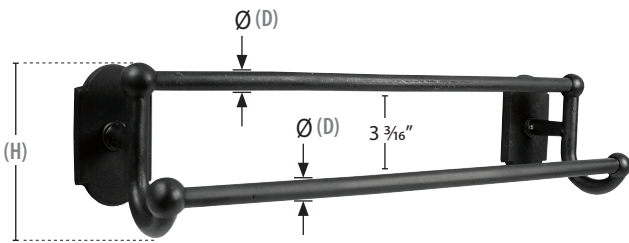
BRASS ROBE HOOK	Product Code
 <p data-bbox="61 751 479 783">&gt;&gt; Rosette options are not available for this product.</p>	2606
	Upper Hook Projection 2 5/8"
	Base Height (B) 1 3/4"
	Base Width (W) 1 1/2"
	Screw-to-Screw 1"
	Overall Height (H) 4"

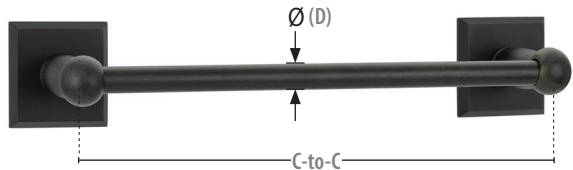
BRASS DOUBLE HOOK	Product Code
 <p data-bbox="61 1386 479 1417">&gt;&gt; Rosette options are not available for this product.</p>	2607
	Projection 2 1/8"
	Base Height (H) 1 3/4"
	Base Width (B) 1 1/2"
	Screw-to-Screw 3/4"
	Overall Width (W) 3 1/2"

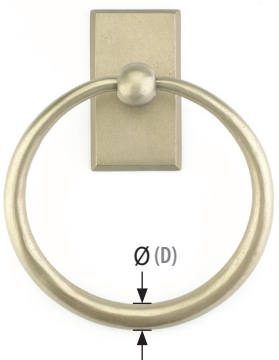
# SANDCAST BRONZE BATH HARDWARE

Technical Specifications






# EMTEK®

SANDCAST BRONZE DOUBLE TOWEL BAR with #1 Rosettes	Product Code	C-to-C
	23051	18"
	23052	24"
	23053	30"
Projection with Rosettes Shown		5 5/16"
Diameter (D)		5/16"
Overall Height		4 3/4"

SANDCAST BRONZE TOWEL BAR with #6 Rosettes	Product Code	C-to-C
	23024	12"
	23021	18"
	23022	24"
	23023	30"
Projection with Rosettes Shown		3 5/8"
Bar Diameter (D)		5/16"

SANDCAST BRONZE TOWEL RING with #3 Rosette	Product Code	Overall	
	2301	6 1/2"	
	Projection with Rosette Shown		2 1/16"
	Bar Diameter (D)		3/4"

> Please see page 15-17 for additional Rosette options and dimensions.

Rosettes
<p>5/16" Thick</p> <p>#1</p>  <p>4 1/2" x 2 1/2"</p>
<p>#2</p>  <p>2 3/4" Dia.</p>
<p>#3</p>  <p>4 1/2" x 2 1/2"</p>
<p>1/2" Thick</p> <p>#4</p>  <p>4 1/2" x 2 13/16"</p>
<p>7/16" Thick</p> <p>#6</p>  <p>2 1/2" x 2 1/2"</p>

> Rosette size same as on passage sets

# SANDCAST BRONZE BATH HARDWARE

Technical Specifications

# EMTEK®

SANDCAST BRONZE PAPER HOLDER - BAR STYLE <i>with #1 Rosette</i>	Product Code	Width (W)
	2303	6 1/2"
	Projection with Rosette Shown 3"	
	Diameter (D) 3/4"	

SANDCAST BRONZE PAPER HOLDER - SPRING ROD STYLE <i>with #6 Rosettes</i>	Product Code	
	2304	
	C-to-C 7 5/16"	
	Projection with Rosettes Shown 3"	

SANDCAST BRONZE SINGLE HOOK <i>with #2 Rosette</i>	Product Code
	2308
	Projection with Rosette Shown 2 3/4"

> Please see page 15-17 for additional Rosette options and dimensions.

Rosettes
<p>3/16" Thick</p> <p>#1</p> <p>4 1/2" x 2 1/2"</p>
<p>#2</p> <p>2 3/4" Dia.</p>
<p>#3</p> <p>4 1/2" x 2 1/2"</p>
<p>1/2" Thick</p> <p>#4</p> <p>4 1/2" x 2 13/16"</p>
<p>7/16" Thick</p> <p>#6</p> <p>2 1/2" x 2 1/2"</p>

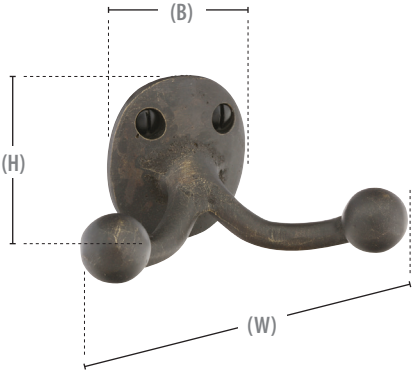
> Rosette size same as on passage sets

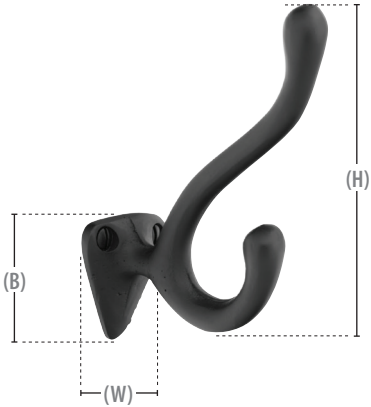


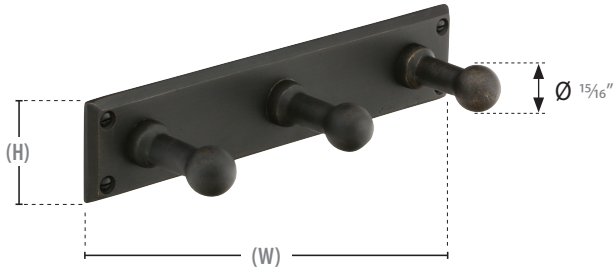
# SANDCAST BRONZE BATH HARDWARE

Technical Specifications

EMTEK®

SANDCAST BRONZE DOUBLE HOOK	Product Code
 <p>&gt;&gt; Rosette options are not available for this product.</p>	2306
	<b>Projection</b> 2 1/8"
	<b>Base Height (H)</b> 1 3/4"
	<b>Base Width (B)</b> 1 1/2"
	<b>Screw-to-Screw</b> 3/4"
	<b>Overall Width (W)</b> 3 5/16"

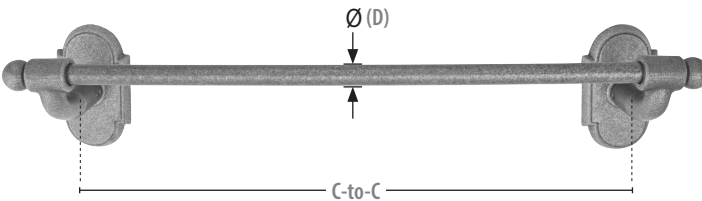
SANDCAST BRONZE ROBE HOOK	Product Code
 <p>&gt;&gt; Rosette options are not available for this product.</p>	86106
	<b>Upper Hook Projection</b> 2 1/2"
	<b>Base Height (B)</b> 1 1/2"
	<b>Base Width (W)</b> 1 1/4"
	<b>Screw-to-Screw</b> 13/16"
	<b>Overall Height (H)</b> 3 7/8"

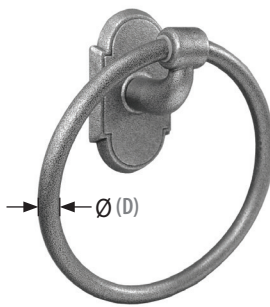
SANDCAST BRONZE 3 HOOKS WITH RECTANGULAR PLATE	Product Code
	2307
	<b>Projection</b> 2 1/2"
	<b>Height (H)</b> 2"
	<b>Width (W)</b> 9 1/2"

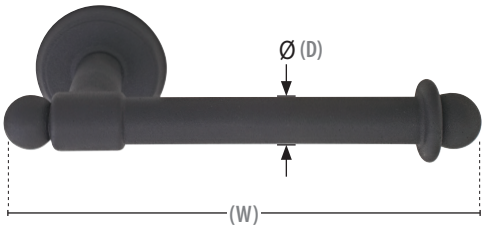
# WROUGHT STEEL BATH HARDWARE

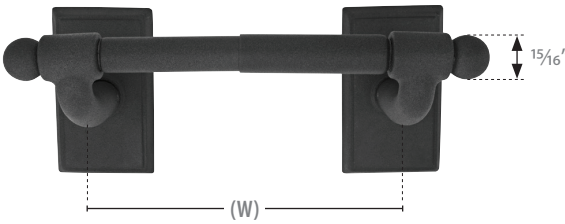
Technical Specifications

# EMTEK®

WROUGHT STEEL TOWEL BAR with #1 Rosettes	Product Code	C-to-C
	25024	12"
	25021	18"
	25022	24"
	25023	30"
	Projection with Rosettes Shown 3 7/16"	
	Diameter (D) 5/8"	

WROUGHT STEEL TOWEL RING with #1 Rosette	Product Code	Overall
	2501	6 1/2"
		Projection with Rosette Shown 2 5/8"
		Bar Diameter (D) 1/2"

WROUGHT STEEL PAPER HOLDER - BAR STYLE with #2 Rosette	Product Code	Width (W)
	2503	8 1/8"
		Projection with Rosette Shown 3 3/8"
		Bar Diameter (D) 3/4"

WROUGHT STEEL PAPER HOLDER - SPRING ROD STYLE with #3 Rosettes	Product Code	Width (W)
	2504	9 7/16"
		Projection with Rosettes Shown 3 3/8"

Rosettes
<p>3/8" Thick</p> <p>#1</p>  <p>4 3/8" x 2 9/16"</p>
<p>#2</p>  <p>2 5/8" Dia.</p>
<p>#3</p>  <p>4 3/8" x 2 9/16"</p>

> Rosette size same as on passage sets

> Please see page 15-17 for additional Rosette options and dimensions.

# WROUGHT STEEL BATH HARDWARE

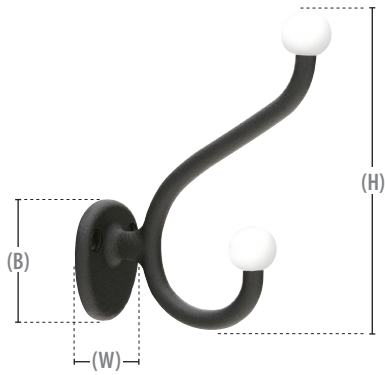
Technical Specifications

EMTEK®

## WROUGHT STEEL ROBE HOOK

Product Code

25050



Upper Hook Projection

3"

Base Height (B)

1 1/2"

Base Width (W)

1 1/4"

Screw-to-Screw

1 3/16"

Overall Height (H)

3 13/16"

>> Rosette options are not available for this product.

# TUSCANY BRONZE BATH HARDWARE

Technical Specifications

# EMTEK®

TUSCANY BRONZE DOUBLE TOWEL BAR with #14 Rosettes	Product Code	C-to-C
	27081	18"
	27082	24"
	27083	30"
<hr/> <b>Projection with Rosettes Shown</b> 5 3/8"		
<hr/> <b>Diameter (D)</b> 9/16"		

TUSCANY BRONZE TOWEL BAR with #12 Rosettes	Product Code	C-to-C
	27024	12"
	27021	18"
	27022	24"
	27023	30"
<hr/> <b>Projection with Rosettes Shown</b> 3 3/8"		
<hr/> <b>Bar Diameter (D)</b> 9/16"		

TUSCANY BRONZE TOWEL RING with #15 Rosette	Product Code	Overall
	2701	6 1/2"
	<hr/> <b>Projection with Rosette Shown</b> 2 5/8"	
	<hr/> <b>Bar Diameter (D)</b> 7/16"	

**Rosettes**

3/16" Thick

#11  
  
 4 1/2" x 2 1/2"

#12  
  
 2 5/8" Dia.

#14  
  
 4 1/2" x 2 3/8"

#15  
  
 2 1/2" x 2 1/2"


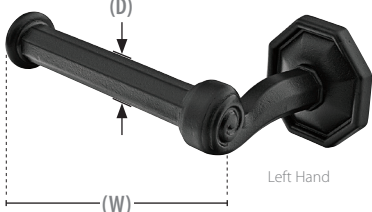
> Rosette size same as on passage sets

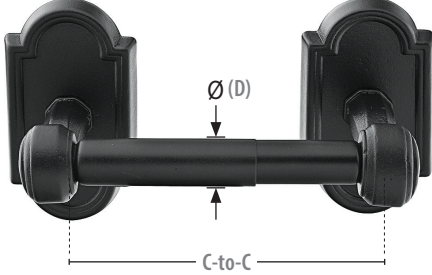
> Please see page 15-17 for additional Rosette options and dimensions.


# TUSCANY BRONZE BATH HARDWARE

Technical Specifications

# EMTEK®

TUSCANY BRONZE PAPER HOLDER - BAR STYLE with #15 Rosette		Product Code	Width (W)
 <p>Right Hand</p>	 <p>Left Hand</p>	2705RH	6 3/8"
		2705LH	6 3/8"
		Projection with Rosette Shown 3"	
		Dimension (D) 1 3/16"	

TUSCANY BRONZE PAPER HOLDER - SPRING ROD STYLE with #11 Rosettes		Product Code	C-to-C
		2704	7 1/8"
		Projection with Rosettes Shown 3"	
		Diameter (D) 1 3/16"	

TUSCANY BRONZE SINGLE HOOK with #12 Rosette		Product Code	
		2706	
		Projection with Rosette Shown 2 3/4"	
		Dimension (D) 1"	

Rosettes
<p>3/16" Thick</p> <p>#11</p>  <p>4 1/2" x 2 1/2"</p>
<p>#12</p>  <p>2 5/8" Dia.</p>
<p>#14</p>  <p>4 1/2" x 2 3/8"</p>
<p>#15</p>  <p>2 1/2" x 2 1/2"</p>

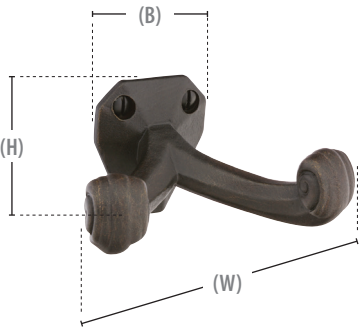
> Rosette size same as on passage sets

> Please see page 15-17 for additional Rosette options and dimensions.

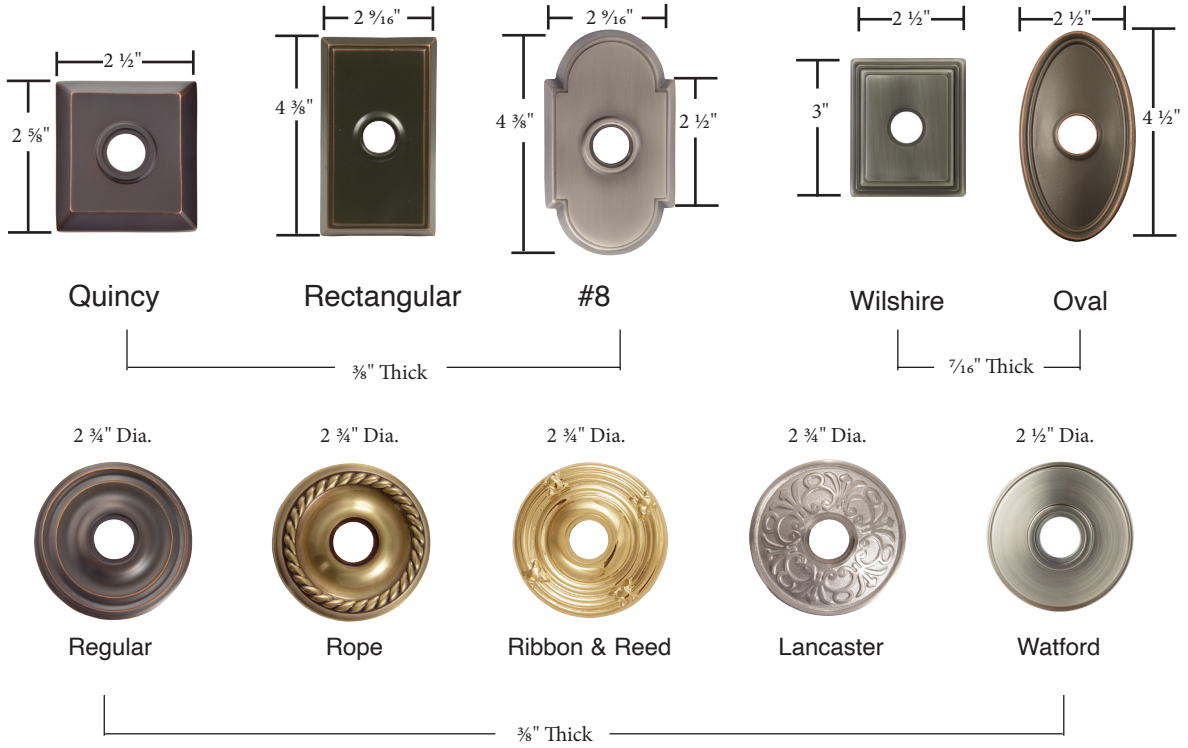
# TUSCANY BRONZE BATH HARDWARE

Technical Specifications

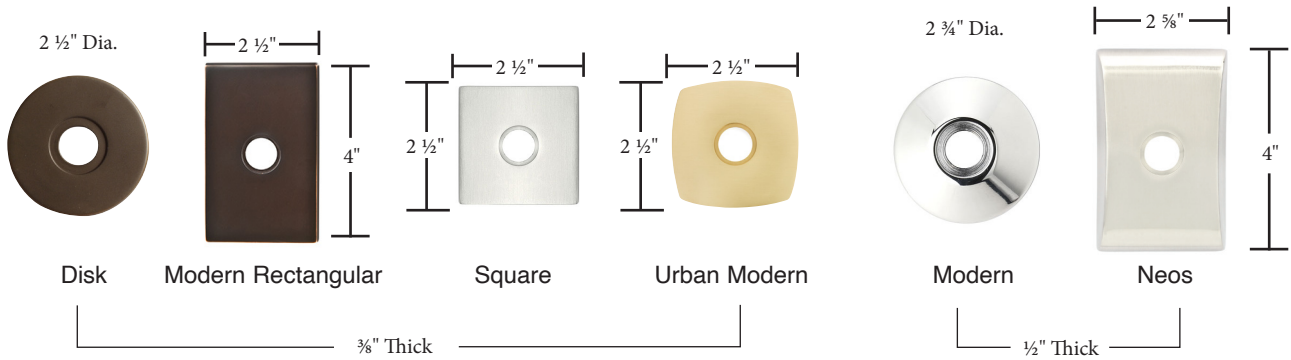
# EMTEK®

TUSCANY BRONZE DOUBLE HOOK	Product Code
 <p data-bbox="61 760 479 787">&gt;&gt; Rosette options are not available for this product.</p>	2707
	Projection 2 ¼"
	Base Height (H) 1 ¾"
	Base Width (B) 1 ½"
	Screw-to-Screw 7/16"
	Overall Width (W) 3 ½"

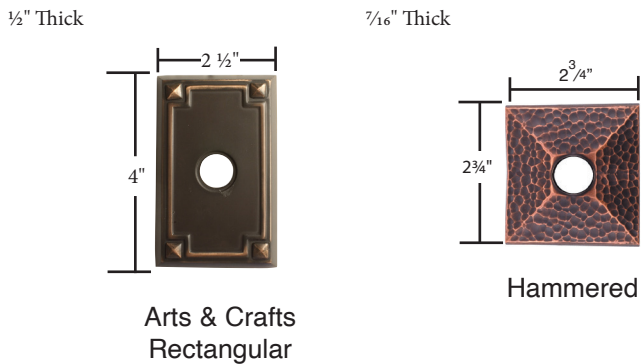
**Solid Brass**



**Modern Brass**



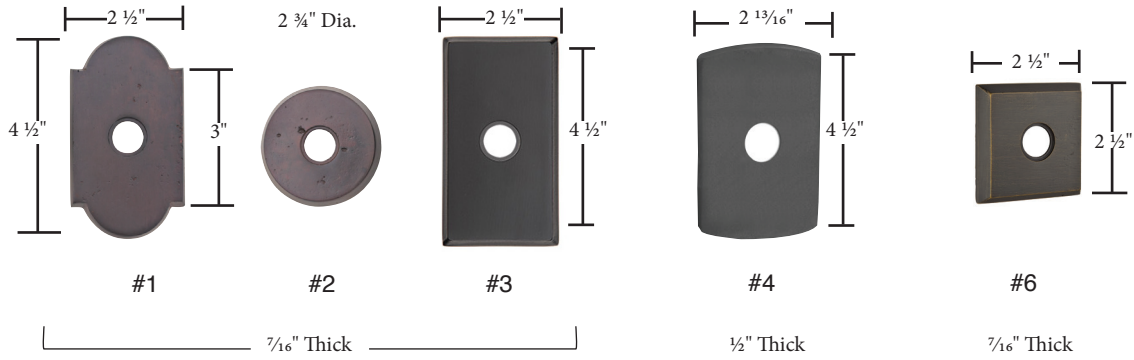
**Arts & Crafts Brass**



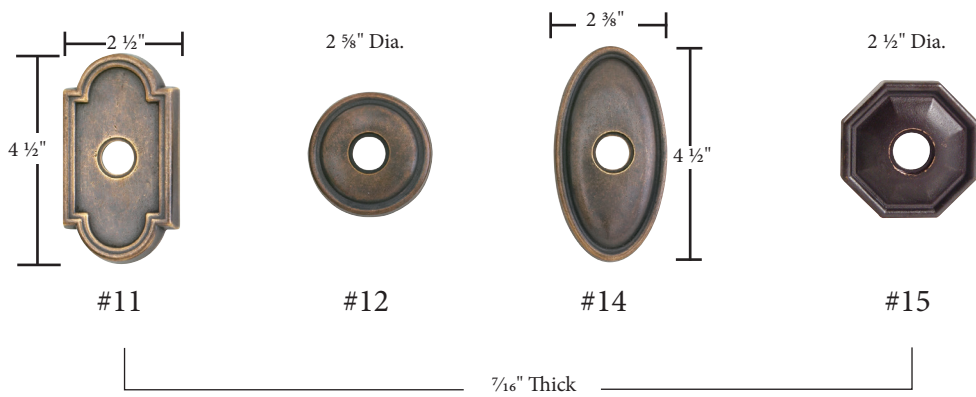
**Porcelain**



**Sandcast Bronze**



**Lost Wax Cast Bronze**

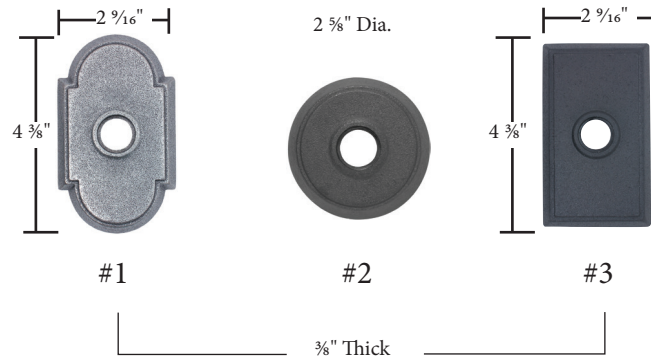


- Same dimensions for doorbell buttons
- Screw-to-Screw for rosette/doorbell buttons 1 5/8"



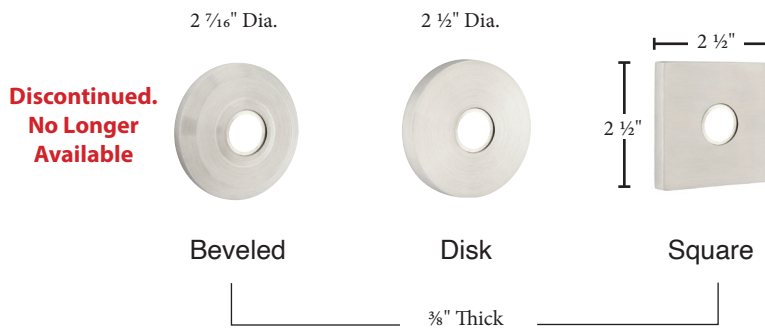
**Wrought Steel**

---



**Stainless Steel**

---



- Same dimensions for doorbell buttons
- Screw-to-Screw for rosette/doorbell buttons 1 5/8"