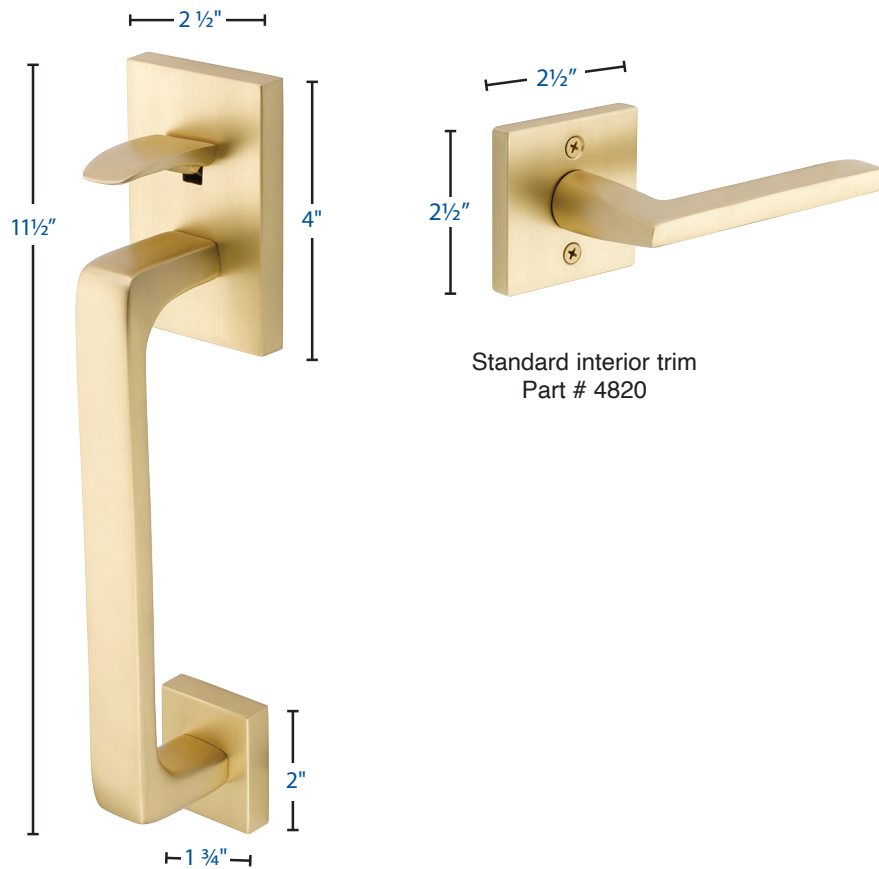
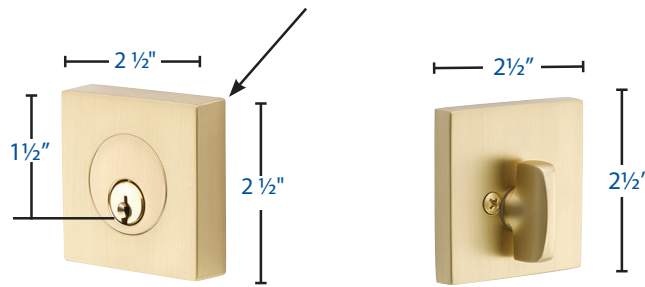


Deadbolt Plate Thickness: 5/8"



Standard interior trim  
Part # 4820

Baden Style  
Part # 4820

**Additional Dimensions: (Part # 4820)**

- Exterior Projection is 2 1/2"
- Interior Projection Depends on Handle Style
- Overall Grip thickness: 1"
- Clearance between door & grip is 1 7/8"
- Plates thickness: 1/2"

***Same Dimensions for  
Double Cylinder & Dummy Function***