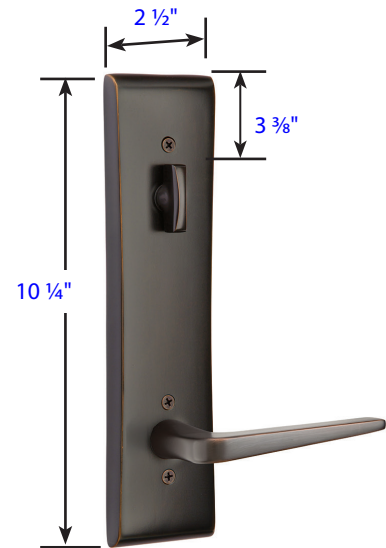


Apollo Style  
Part # 4815



Orion Style  
Part # 4816



Standard interior trim  
Part # 4815 & 4816

**Additional Dimensions: (Part # 4815)**

- Exterior Projection is 2 3/4"
- Interior Projection Depends on Handle Style
- Overall Grip thickness: 1"
- Clearance between door & grip is 2 1/4"
- Plates thickness: 1/2"

*Same Dimensions for  
Double Cylinder & Dummy Function*

**Additional Dimensions: (Part # 4816)**

- Exterior Projection is 2 3/4"
- Interior Projection Depends on Handle Style
- Overall Grip thickness: 1"
- Clearance between door & grip is 1" - 1 3/4"
- Plates thickness: 1/2"

*Same Dimensions for  
Double Cylinder & Dummy Function*