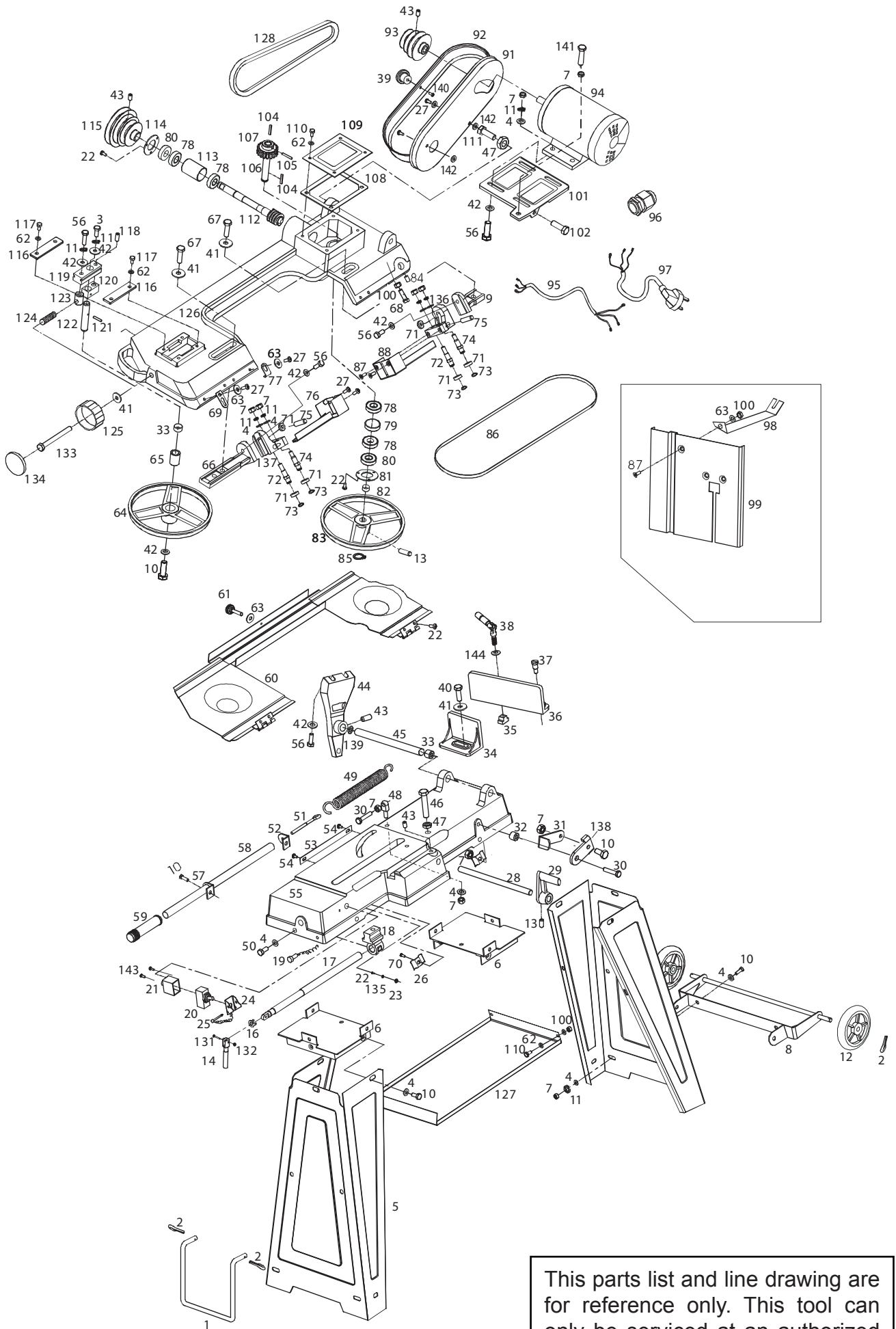


# KING 4187-0 4-1/2 INCH METAL CUTTING BAND SAW PARTS DIAGRAM



This parts list and line drawing are for reference only. This tool can only be serviced at an authorized King repair facility.

# KING 4187-0 4-1/2 INCH METAL CUTTING BAND SAW PARTS LIST

4187-0001	Floor Stand Handle	1	4187-0071	Bearing 6000 2Z	6
4187-0002	Cotter Pin 3x18	4	4187-0072	Guide Pivot (left)	2
4187-0003	Hexagon Head BOLT M8x20	1	4187-0073	Thrust Washer M10	4
4187-0004	Washer M8	29	4187-0074	Guide Pivot (right)	2
4187-0005	Floor Stand	2	4187-0075	Shaft	2
4187-0006	Connecting Plate	2	4187-0076	Blade Cover	1
4187-0007	Hexagon Nut M8	17	4187-0077	Switch Tab	1
4187-0008	Wheel Frame	1	4187-0078	Ball Bearing 6002 2Z	4
4187-0009	Lower Blade Guard	1	4187-0079	Bearing Bushing	1
4187-0010	Hexagon Head Bolt M8 x 16	14	4187-0080	Oil Seal	2
4187-0011	Spring Washer M8	14	4187-0081	Blade Wheel Bearing Cover	1
4187-0012	Wheel	2	4187-0082	Bushing	1
4187-0013	Hexagon Socket Set Screw M8x8	2	4187-0083	Front Blade Wheel	1
4187-0014	Handle	1	4187-0084	Hexagon Screw M6x12	1
4187-0016	Thrust Washer M13	1	4187-0085	Thrust Washer M15	1
4187-0017	Lead Screw	1	4187-0086	Blade	1
4187-0018	Vise Nut	1	4187-0087	Cross Head Screw M6x12	4
4187-0019	Lock Chain	1	4187-0088	Blade Guard	1
4187-0020	Switch	1	4187-0091	Lower Pulley Cover	1
4187-0021	Switch Box	1	4187-0092	Upper Pulley Cover	1
4187-0022	Screw M4x8	11	4187-0093	Motor Pulley	1
4187-0023	Star Washer M4	1	4187-0094	Motor	1
4187-0024	Switch Safety Plate	1	4187-0095	Motor Cord	1
4187-0025	Switch Safety Screw	1	4187-0096	Strain Relief	1
4187-0026	Wire Relief Retainer	2	4187-0097	Supply Cord	1
4187-0027	Cross Head Screw M6x12	5	4187-0098	Vertical Cutting Plate Support	1
4187-0028	Work Stop Rod	1	4187-0099	Vertical Cutting Plate	1
4187-0029	Work Stop	1	4187-0100	Hexagon Nut M6	6
4187-0030	Hexagon Socket Head Screw M8x40	2	4187-0101	Motor Mount Plate	1
4187-0031	Support Plate	1	4187-0102	Screw M12x35	1
4187-0032	Support plate Cover	1	4187-0104	Key 5X5X25	2
4187-0033	Bushing	2	4187-0105	Spring Pin 4x26	1
4187-0034	Adjustable Vise Plate	1	4187-0106	Transmission Wheel Shaft	1
4187-0035	Arc Sliding Plate	1	4187-0107	Transmission Gear	1
4187-0036	Mitering Vise Plate	1	4187-0108	Gear Box Gasket	1
4187-0037	Screw	1	4187-0109	Gear Box Cover	1
4187-0038	Miter Lock Handle	1	4187-0110	Hexagon Head Bolt M6x10	8
4187-0039	Knob	1	4187-0111	Hexagon Head Screw	1
4187-0040	Hexagon Head Screw M10x30	1	4187-0112	Worm Gear Shaft	1
4187-0041	Washer M10	4	4187-0113	Bearing Bushing	1
4187-0042	Washer M8	11	4187-0114	Bearing Cover	1
4187-0043	Set Screw M8x12	2	4187-0115	Worm Gear Pulley	1
4187-0044	Pivot	1	4187-0116	Blade Tension Sliding Guides	2
4187-0045	Pivoting Rod	1	4187-0117	Screw M6x12	4
4187-0046	Hexagon Head Screw M12x65	1	4187-0118	Hexagon Head Screw M8x20	1
4187-0047	Hexagon Thin Nut M12	2	4187-0119	Blade Tension Sliding Plate	1
4187-0048	Stop Screw	1	4187-0120	Sliding Plate Draw Block	1
4187-0049	Spring	1	4187-0121	Spring Pin 4x20	1
4187-0050	Screw M8x25	6	4187-0122	Blade Wheel Shaft	1
4187-0051	Spring Adjusting Screw	1	4187-0123	Shaft Block	1
4187-0052	Rear Nut Plate	1	4187-0124	Spring	1
4187-0053	Miter Scale	1	4187-0125	Blade Tension Adjustable Knob	1
4187-0054	Cross Head Screw M5x8	2	4187-0126	Band Saw Head	1
4187-0055	Bed	1	4187-0127	Tool Tray	1
4187-0056	Hexagon Head Screw M8x30	9	4187-0128	V-Belt	1
4187-0057	Front Nut plate	1	4187-0131	Cross Head Screw M4x20	1
4187-0058	Adjusting Rod	1	4187-0132	Nut M4	1
4187-0059	Adjusting Hold Cover	1	4187-0133	Hex Head Screw M10x100	1
4187-0060	Blade Back Safety Cover	1	4187-0134	Adjust Knob Cover	1
4187-0061	Plum Screw	1	4187-0135	Washer M4	1
4187-0062	Washer M6	16	4187-0136	Lower Guide Frame	1
4187-0063	Washer M6	4	4187-0137	Upper Guide Frame	1
4187-0064	Rear Blade Wheel	1	4187-0138	Adjusting Support Plate	1
4187-0065	Sliding Bearing	1	4187-0139	Pivoting Rod Bushing	1
4187-0066	Upper Blade Guard	1	4187-0140	Cross Head Screw M5x12	1
4187-0067	Bolt M10x35	2	4187-0141	Motor Adjusting Knob	1
4187-0068	Hexagon Head Screw M6x20	1	4187-0142	Rubber Washer M6	2
4187-0069	Lock Chip	1	4187-0143	Cross Head Screw M5x10	2
4187-0070	Cross Head Screw M6x10	1	4187-0144	Washer M10	1