

KING GARDEN HOSE REEL CART #3556-0

Safety Instructions

NOTE: These safety instructions are not intended to cover every possible situation. They are a general guideline.

- 1) read the instruction book.
- 2) Do not overload hose reel cart. maximum load is 150 pounds or 225 feet of hose.
- 3) do not allow children to play with the hose reel cart.
- 4) If any part gets broken replace the part before you use the cart again.
- 5) Do not roll cart over objects that could cause tire damage.
- 6) do not inflate tires with more than 30 PSI of air.
- 7) Use only a hand held tire pump to fill tires with air.
- 8) Save these instructions.

Assembly Preparation

ESTIMATED ASSEMBLY TIME IS 30 MINUTES

Remove all parts and hardware from the box. Compare the parts to the parts listed in the assembly instructions. If a part is missing request the part by calling King Tools & Equipment at 909-930-6588.

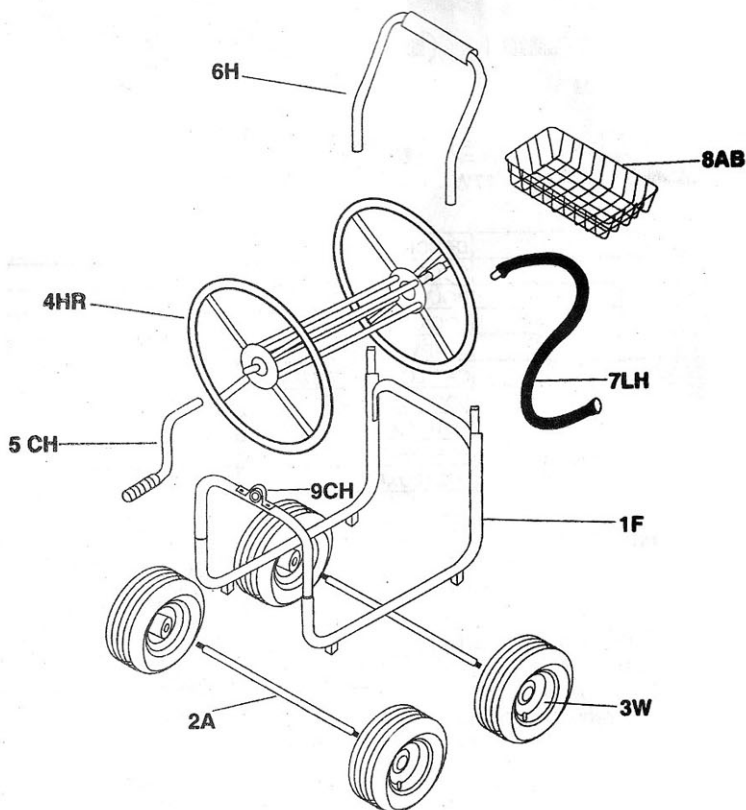
Tools required for assembly

- * Adjustable wrench
- * Flat tip screwdriver
- * Pliers



KING GARDEN HOSE REEL CART #3556-0

PARTS & HARDWARE



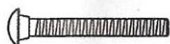
PARTS LIST

PART #	DESCRIPTION	QUANTITY
1F	FRAME	1
2A	AXLE	2
3W	WHEELS	4
4HR	HOSE REEL	1
5CH	CRANK HANDLE	1
6H	HANDLE	1
7LH	LEADER HOSE	1
8AB	ACCESSORY BASKET	1
9CH	CRANK HUB	1

KING GARDEN HOSE REEL CART #3556-0

PARTS & HARDWARE

HARDWARE INCLUDED



10B



12B



13N



14W



15CN



16LN



17W



18RW

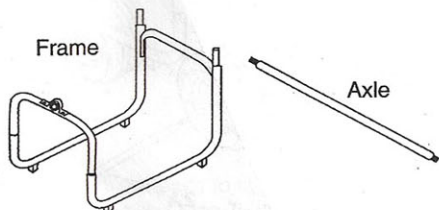


19UB

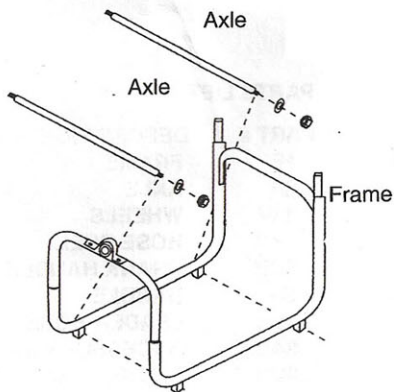
PART #	DESCRIPTION	QUANTITY
10B	BOLT 6 X 35 MM	8
12B	BOLT 6 X 25 MM	1
13N	LOCK NUT 12 MM	4
14W	FLAT WASHER	4
15CN	CAP LOCK NUT 6 MM	2
16LN	LOCK NUT 6 MM	7
17W	FLAT WASHER 6 MM	9
18RW	RUBBER WASHER	1
19UB	U BRACKET	1

Assembly Instructions

- 1) Remove the lock nut and washer from the axle.
- 2) Stand the frame upright
- 3) Slide the axle through both ends of the frame



Remove the nut and washer on the end of the axle and then insert the axle into the frame

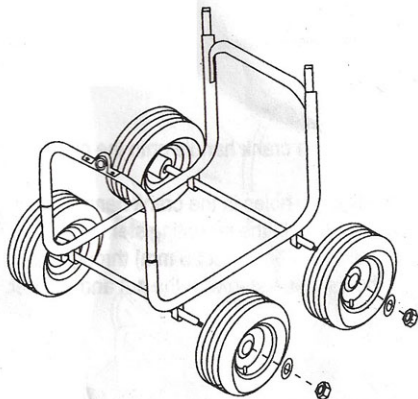


KING GARDEN HOSE REEL CART #3556-0

Assembly Instructions

- 1) Slide the wheels onto the axle with the valve stem facing outward.
- 2) Fasten the wheel to the axle with the washer and nut.

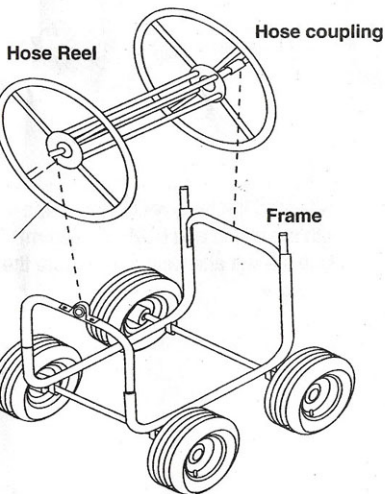
Wheel Nut and Bolt



**Tire valve stem
facing outward**

- 1) Mount the hose reel onto the frame.
- 2) Put the hose coupling onto the frame

**Crank Handle
mounting stem**

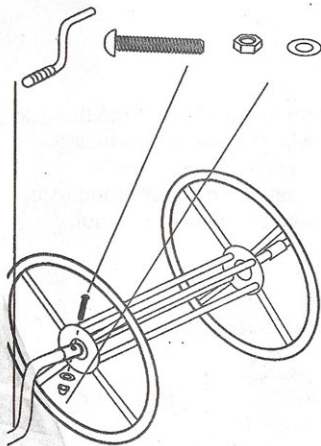


KING GARDEN HOSE REEL CART #3556-0

Assembly Instructions

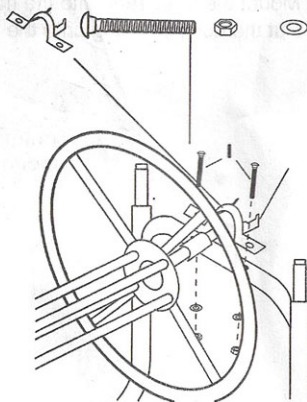
Crank Handle mounting hardware

- 1) Slide the crank handle onto the crank stem.
- 2) Align the holes in the crank handle with the holes in the mounting stem
- 3) Insert the bolt (6 x 25 mm) through the holes and fasten with the nut and washer.



Reel and Hose clamp

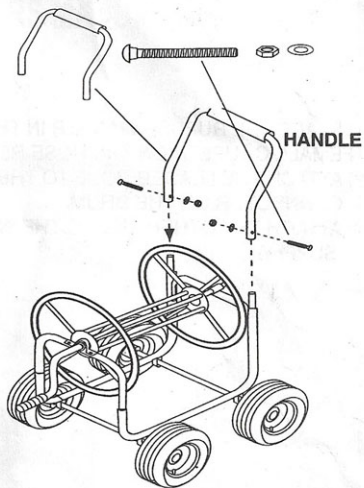
- 1) Attached the hose reel to the frame with the clamp and bolts (6 x 35mm)
- 2) Use the nut and washer to secure the clamp.



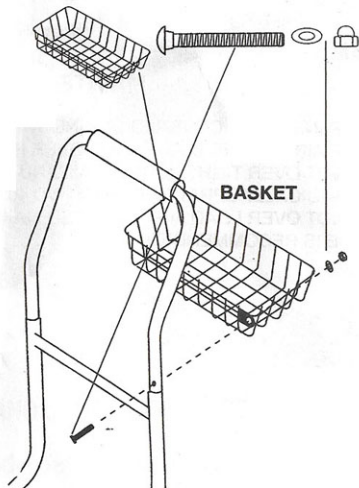
KING GARDEN HOSE REEL CART #3556-0

Assembly Instructions

- 1) PLACE THE HANDLE ONTO THE VERTICAL POST OF THE FRAME
- 2) ALIGN THE HOLES IN THE VERTICAL POST WITH THE HOLES IN THE HANDLE.
- 3) INSERT THE 6 X 35 BOLTS THEN PLACE THE WASHER AND NUT ONTO THE BOLT TO SECURE THE HANDLE.



- 1) ATTACH THE BASKET TO THE HANDLE USING THE 6 X 35 BOLTS, WASHER AND NUT.



KING GARDEN HOSE REEL CART #3556-0

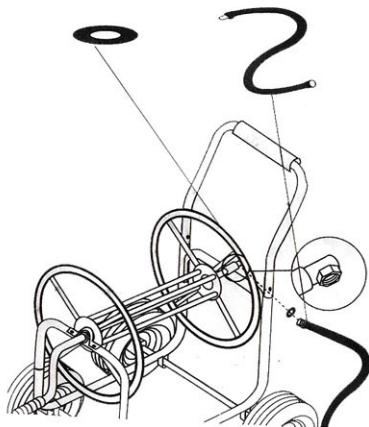
Assembly Instructions

CONNECTION HOSE AND WASHER

WASHER

HOSE

- 1) PLACE THE RUBBER WASHER IN THE FEMALE COUPLER ON THE HOSE REEL.
- 2) ATTACH THE LEADER HOSE TO THE CONNECTOR ON THE DRUM
- 3) ATTACH THE OTHER END TO THE WATER SUPPLY.



MAINTENANCE AND CARE

- 1) KEEP INSIDE OR COVERED DURING WINTER MONTHS.
- 2) KEEP AIR IN TIRES BUT DO NOT OVER INFLATE
- 3) DO NOT OVER TIGHTEN BOLTS AND NUTS
- 4) PERIODICALLY SPRAY WITH WITH WD 40 TO PROTECT METAL PARTS
- 5) DO NOT OVER LOAD. A SUGGESTED MAXIMUM OF 225 FOOT OF HOSE IS RECOMMENDED