

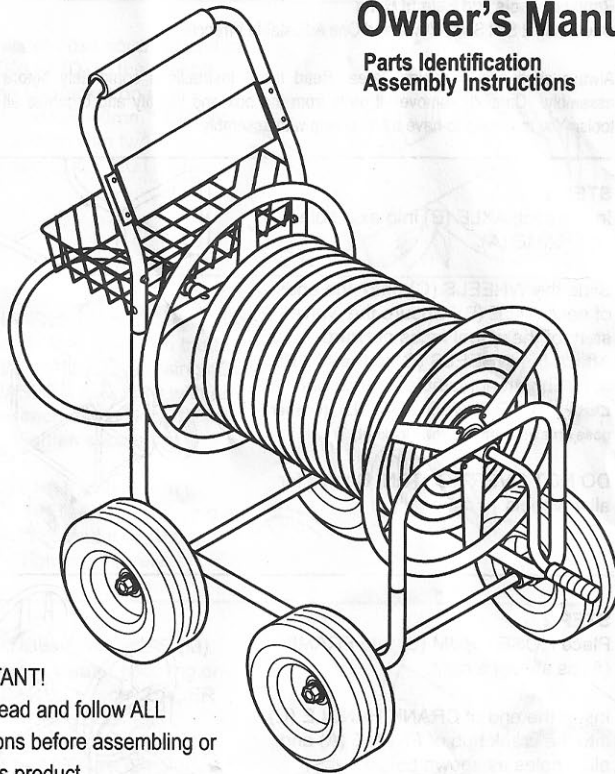
# 3253-0

## PROFESSIONAL GARDEN HOSE REEL

*Garden Hose  
not included.*

### Owner's Manual

Parts Identification  
Assembly Instructions



**IMPORTANT!**  
Please read and follow ALL  
instructions before assembling or  
using this product.

Revision 1.1

## Assembly Instructions

This product requires assembly. Please make sure you have all parts before beginning assembly (refer to the Parts Identification page of this Manual). If any parts are missing, or if you need assistance **DO NOT RETURN THIS PRODUCT TO THE RETAILER.**

### Required Tools and Helpful Hints

One Straight Slot Screwdriver and One Adjustable Wrench.

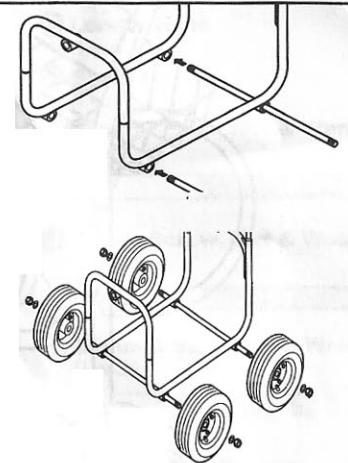
Always assemble in a clean area. Read these instructions completely before beginning assembly. Carefully remove all parts from the box and identify and organize all parts and tools. You may wish to have a friend help with assembly.

### STEP 1

Insert each AXLE (B) into axle holes on FRAME (A).

Slide the WHEELS (C) onto the ends of each AXLE (B). Ensure the valve stem of the wheel faces outward. Attach the WHEELS (C) to the AXLES (B) using an adjustable wrench and LOCK NUTS & WASHERS (L). (washer goes on axle shaft 1st, then locknut)

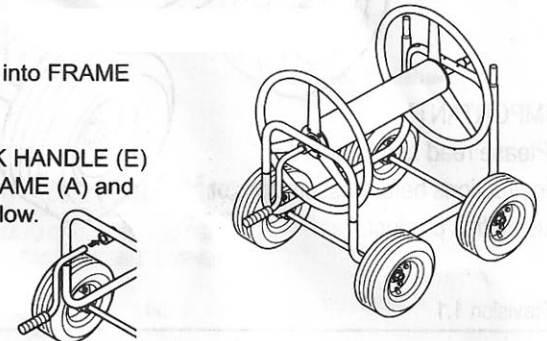
**DO NOT OVERTIGHTEN**, Do this for all 4 wheels



### STEP 2

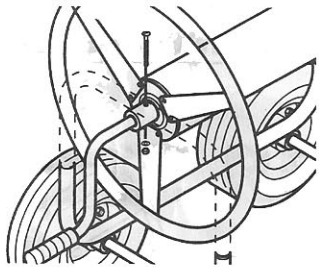
Place HOSE DRUM (D) into FRAME (A) as shown a right.

Insert the end of CRANK HANDLE (E) into the crank hub of FRAME (A) and align holes as shown below.



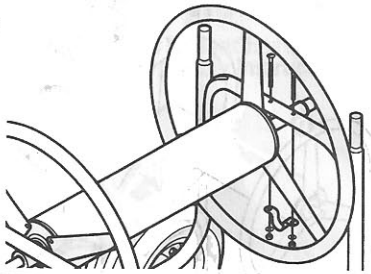
### STEP 3

Insert 25mm SCREW (K) into crank hub as shown, and fasten with WASHER & NUT (K) using adjustable wrench and screwdriver. Tighten securely.



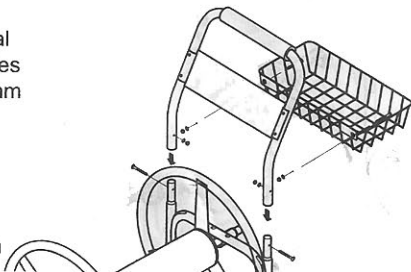
### STEP 4

Attach the water hose coupling end of the HOSEDRUM (D) to the FRAME (A) using the U-Bracket on the FRAME (A) and two 40mm SCREW (J) and and secure with two WASHERS and LOCK NUTS (L).



### STEP 5

Insert the HANDLE (F) onto the vertical posts on the FRAME (A). Align the holes and fasten the HANDLE (F) using 45mm SCREW, WASHER & NUT (I) with an adjustable wrench and a slotted screwdriver. Tighten securely

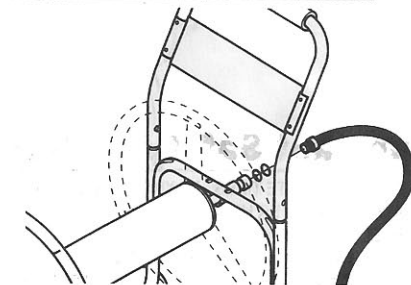


Attach BASKET (H) with 45mm SCREW, WASHER & NUT (I) using an adjustable wrench and a slotted screwdriver. Tighten securely



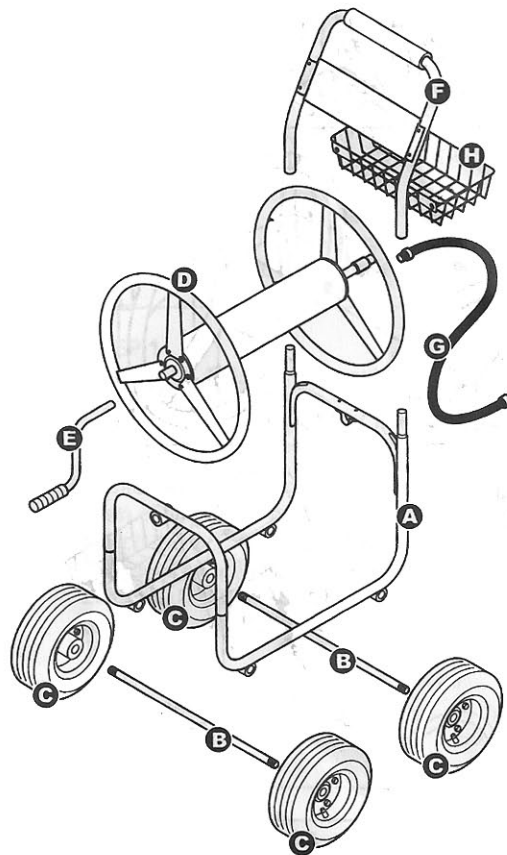
### STEP 6

Place one RUBBER WASHER (M) into female end of water coupling on HOSE DRUM (D). Attach LEADER HOSE (G) to water coupling on HOSE DRUM (D) and attach the other end of LEADER HOSE (G) to the water supply on your home.



Wind garden hose (not included) onto HOSE DRUM (D).

## Parts & Identification



**A Frame**  
(1 each)

**B Axle**  
(2 each)

**C Tire**  
(4 each)

**D Hose Drum**  
(1 each)

**E Crank Handle**  
(1 each)

**F Handle**  
(1 each)

**G Leader Hose**  
(1 each)

**H Basket**  
(1 each)

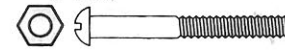
**I 45mm Screw, Nut & Washer**  
(4 each)



**J 40mm Screw, Nut & Washer**  
(2 each)



**K 25mm Screw, Nut & Washer**  
(1 each)



**L Lock Nut & Washer**  
(4 each)



**M Rubber Washer**  
(2 each)



## Important Safety Instructions

1. NEVER OVERINFLATE TIRES - MAXIMUM PRESSURE - 32 PSI
2. ALWAYS DRAIN WATER HOSE TO RELEASE PRESSURE WHEN HOSE REEL IS NOT IN USE.
3. HOSE REEL MAY TIP OVER WHEN USED ON AN INCLINE.
4. THIS IS NOT A TOY, IT IS NOT TO BE USED BY CHILDREN...