

MODEL #: 1169-0

PORTABLE CEMENT MIXER ASSEMBLY INSTRUCTIONS AND OPERATORS MANUAL



King CEMENT MIXER

FEATURES:

- 3.5 CUBIC FEET DRUM HOLDS UP TO 270 POUNDS OR 2.5 CUBIC FEET OF CEMENT
- * ALL BALL BEARING 1/2 HP MOTOR
- * GEAR REDUCTION DIRECT DRIVE ROTATES DRUM AT 23 R.P.M.
- * DRUM SWIVELS ON FRAME POST 360 DEGREES ALLOWING MIXED CONCRETE TO BE POURED IN ANY POSITION
- * RUGGED STEEL DRUM, FRAME AND MIXING PADDLES FOR LONG LASTING SERVICE
- * SOLID RUBBER 12" TIRES MAKING IT EASY TO MOVE THE MIXER TO DIFFERENT LOCATIONS
- * CONVENIENT ON AND OFF SWITCH WHICH MAKES IT EASIER AND SAFER TO STOP AND START THE MACHINE
- * ASSEMBLES OR DISASSEMBLES IN MINUTES WHICH IS GREAT WHEN MOVING TO DIFFERENT JOB SIGHT LOCATIONS. MAY BE TRANSPORTED IN A SPORT UTILITY VEHICLE, HATCH BACK CAR, FULL SIZE AUTOMOBILE TRUNK OR A PICK UP TRUCK.

SPECIFICATIONS:

MOTOR: 1/2 H.P, 1725 RPM, 4 AMP
VOLTAGE: 110 VOLT, 60 HERTZ
SWITCH: ON / OFF SEALED
PLUG: THREE PRONG GROUNDED
ON 6" CORD
DRUM SIZE: 5 CUBIC FEET

MIXING CAPACITY: 2.5 CUBIC FEET OR
270 POUNDS
DRUM DIAMETER: 25"
POURING HEIGHT: 23"
DRUM ROTATION: 23 R.P.M.
MACHINE WEIGHT: 120 POUNDS

IMPORTANT

SAFETY PRECAUTIONS AND OPERATING INSTRUCTIONS

- 1) ALWAYS OPERATE THE KING CEMENT MIXER ON A LEVEL FLAT SURFACE. OPERATING ON AN ANGLE SURFACE COULD CAUSE THE MACHINE TO ROLL OR TILT OVER DURING OPERATION.
- 2) NEVER OPERATE THE MACHINE WHILE IT IS SETTING IN WATER.
- 3) NEVER ATTEMPT TO PLUG IN OR UNPLUG THE MACHINE WHEN THE PLUG IS WET OR THE MACHINE IS SETTING IN WATER.
- 4) NEVER OVERLOAD THE MACHINE. THE CAPACITY IS 270 POUNDS.
- 5) NEVER PLACE YOUR HANDS OR ARMS IN THE DRUM WHILE IT IS ROTATING.
- 6) DO NOT LEAVE THE MACHINE WHILE IT IS OPERATING OR THE ELECTRICAL POWER IS CONNECTED.
- 7) KEEP THE AREA AROUND THE DRUM CLEAR OF ANY OBJECTS WHILE IT IS OPERATING.
- 8) ALWAYS USE THE PROPER GAUGE EXTENSION CORD. THE MOTOR WILL DRAW A MAXIMUM OF 8 AMPS UNDER START UP LOAD. BASE YOUR WIRE GAUGE ON 8 AMPS AND THE LENGTH OF THE CORD REQUIRED.
- 9) NEVER ALLOW WATER TO GET INTO ANY OF THE ELECTRICAL COMPONENTS.
- 10) NEVER OPERATE THE MACHINE WHILE UNDER THE INFLUENCE OF DRUGS OR ALCOHOL.
- 11) ALWAYS WARE THE PROPER CLOTHING. LOOSE CLOTHING CAN GET CAUGHT IN THE MIXER WHEN IT IS ROTATING.
- 12) ALWAYS WARE PROTECTIVE EYE, EAR AND HEAD GEAR.

King

CEMENT MIXER

FEATURES:

- * 5 CUBIC FEET DRUM HOLDS UP TO 270 POUNDS OR 2.5 CUBIC FEET OF CEMENT
- * ALL BALL BEARING 1/2 HP MOTOR
- * GEAR REDUCTION DIRECT DRIVE ROTATES DRUM AT 23 R.P.M.
- * DRUM SWIVELS ON FRAME POST 360 DEGREES ALLOWING MIXED CONCRETE TO BE POURED IN ANY POSITION
- * RUGGED STEEL DRUM, FRAME AND MIXING PADDLES FOR LONG LASTING SERVICE
- * SOLID RUBBER 12" TIRES MAKING IT EASY TO MOVE THE MIXER TO DIFFERENT LOCATIONS
- * CONVENIENT ON AND OFF SWITCH WHICH MAKES IT EASIER AND SAFER TO STOP AND START THE MACHINE
- * ASSEMBLES OR DISASSEMBLES IN MINUTES WHICH IS GREAT WHEN MOVING TO DIFFERENT JOB SIGHT LOCATIONS. MAY BE TRANSPORTED IN A SPORT UTILITY VEHICLE, HATCH BACK CAR, FULL SIZE AUTOMOBILE TRUNK OR A PICK UP TRUCK.

SPECIFICATIONS:

MOTOR: 1/2 H.P, 1725 RPM, 4 AMP
VOLTAGE: 110 VOLT, 60 HERTZ
SWITCH: ON / OFF SEALED
PLUG: THREE PRONG GROUNDED
ON 6" CORD
DRUM SIZE: 5 CUBIC FEET

MIXING CAPACITY: 2.5 CUBIC FEET OR
270 POUNDS
DRUM DIAMETER: 25"
POURING HEIGHT: 23"
DRUM ROTATION: 23 R.P.M.
MACHINE WEIGHT: 120 POUNDS

IMPORTANT

SAFETY PRECAUTIONS AND OPERATING INSTRUCTIONS

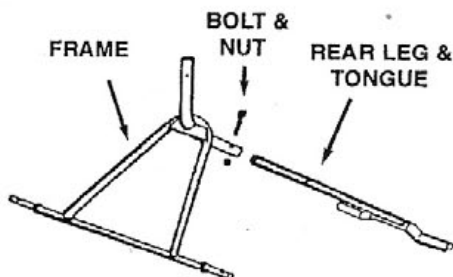
- 1) ALWAYS OPERATE THE KING CEMENT MIXER ON A LEVEL FLAT SURFACE. OPERATING ON AN ANGLE SURFACE COULD CAUSE THE MACHINE TO ROLL OR TILT OVER DURING OPERATION.
- 2) NEVER OPERATE THE MACHINE WHILE IT IS SETTING IN WATER.
- 3) NEVER ATTEMPT TO PLUG IN OR UNPLUG THE MACHINE WHEN THE PLUG IS WET OR THE MACHINE IS SETTING IN WATER.
- 4) NEVER OVERLOAD THE MACHINE. THE CAPACITY IS 270 POUNDS.
- 5) NEVER PLACE YOUR HANDS OR ARMS IN THE DRUM WHILE IT IS ROTATING.
- 6) DO NOT LEAVE THE MACHINE WHILE IT IS OPERATING OR THE ELECTRICAL POWER IS CONNECTED.
- 7) KEEP THE AREA AROUND THE DRUM CLEAR OF ANY OBJECTS WHILE IT IS OPERATING.
- 8) ALWAYS USE THE PROPER GAUGE EXTENSION CORD. THE MOTOR WILL DRAW A MAXIMUM OF 8 AMPS UNDER START UP LOAD. BASE YOUR WIRE GAUGE ON 8 AMPS AND THE LENGTH OF THE CORD REQUIRED.
- 9) NEVER ALLOW WATER TO GET INTO ANY OF THE ELECTRICAL COMPONENTS.
- 10) NEVER OPERATE THE MACHINE WHILE UNDER THE INFLUENCE OF DRUGS OR ALCOHOL.
- 11) ALWAYS WARE THE PROPER CLOTHING. LOOSE CLOTHING CAN GET CAUGHT IN THE MIXER WHEN IT IS ROTATING.
- 12) ALWAYS WARE PROTECTIVE EYE, EAR AND HEAD GEAR.

King ASSEMBLE OR DISASSEMBLE SIX EASY STEPS

DRAWING "A"

ONE

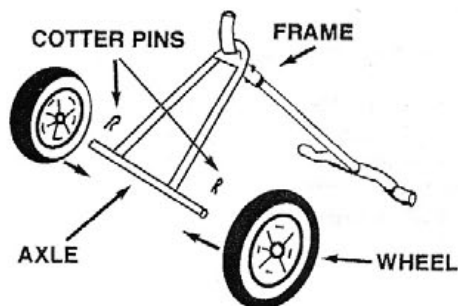
1) INSERT THE REAR LEG OF THE STAND INTO THE FRONT FRAME USING THE ONLY NUT AND BOLT SUPPLIED. TIGHTEN THE BOLT USING THE WRENCH THAT IS SUPPLIED. THE REAR LEG IS ALSO USED AS A TONGUE TO PULLER THE MIXER TO ANOTHER LOCATION. SEE DRAWING "A".



TWO

1) SLIDE THE WHEELS ONTO THE FRONT FRAME AXLE AND INSERT THE COTTER PIN INTO THE HOLE IN THE AXLE TO HOLD THE WHEELS IN PLACE. SEE DRAWING "B".

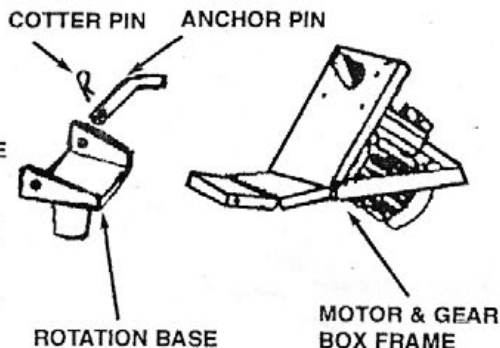
DRAWING "B"



THREE

1) ATTACH THE DRUM ROTATION BASE TO THE MOTOR GEAR BOX ASSEMBLY FRAME USING THE HEAVY DUTY ANCHOR PIN. AFTER YOU CONNECT THE MOTOR FRAME AND ROTATION BASE WITH THE ANCHOR PIN INSERT THE COTTER PIN TO HOLD THE ANCHOR PIN IN PLACE. SEE DRAWING "C".

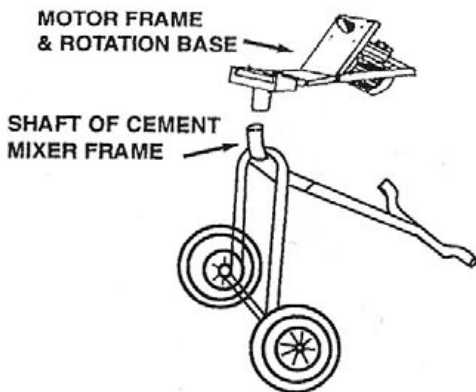
DRAWING "C"



FOUR

1) SLIDE THE ROTATION BASE, MOTOR FRAME ASSEMBLY ONTO THE SHAFT OF THE CEMENT MIXER FRAME. SEE DRAWING "D".

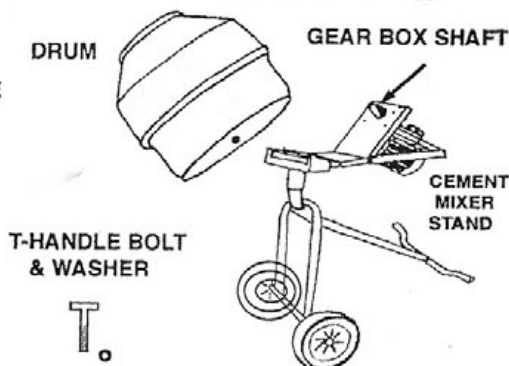
DRAWING "D"



FIVE

1) MOUNT THE CEMENT MIXER DRUM ONTO THE GEAR BOX SHAFT. ALIGN THE GUIDE NOTCH WITH THE PIN ON THE GEAR BOX SHAFT. SECURE THE DRUM IN PLACE USING THE WASHER AND T-HANDLE BOLT. SEE DRAWING "E".

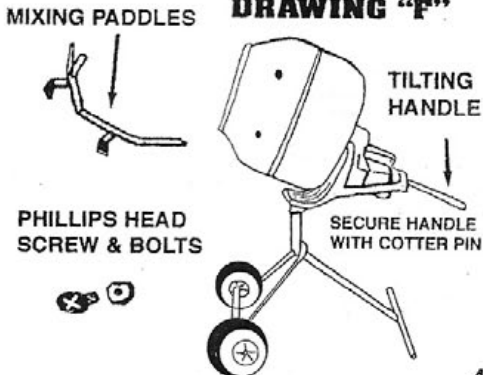
DRAWING "E"



SIX

1) MOUNT THE MIXING PADDLES INSIDE THE DRUM USING THE LARGE PHILLIPS HEAD SCREWS AND BOLTS. THE SCREW HEAD IS ON THE OUTSIDE OF THE DRUM AND THE BOLT ON THE INSIDE.
2) INSERT THE TILTING HANDLE THROUGH THE HOLE IN THE MOTOR GEAR BOX FRAME. IT GOES IN ON A SLIGHT ANGLE. THE NOTCHED GOES IN FIRST AND ALIGNS WITH THE SIDE OF THE FRAME. SECURE IT WITH THE COTTER PIN PROVIDED. SEE DRAWING "F".

DRAWING "F"



OPERATING INSTRUCTIONS

- 1) SET UP YOUR KING CEMENT MIXER ON A LEVEL SURFACE.
- 2) USE AT LEAST A 14 GAUGE 3 PRONG GROUNDED EXTENSION CORD TO PLUG IN YOUR CEMENT MIXER. A HEAVIER GAUGE MAY BE REQUIRE IF YOU NEED A CORD LONGER THAN 50 FEET.
- 3) LOAD THE MIXER WITH CONCRETE MIX, SAND AND WATER WHILE IT IS RUNNING. BE CAREFUL NOT TO GET WATER ON THE MOTOR OR ELECTRICAL PARTS.
- 4) POUR THE MIXED CONCRETE BY LIFTING THE DUMP HANDLE WHILE THE MACHINE IS RUNNING. BE SURE TO POUR THE MIX SLOWLY AND SMOOTHLY TO AVOID TILTING THE MIXER OVER.
- 5) IF THE MOTOR OVER HEATS IT WILL SHUT OFF. IT HAS A THERMAL PROTECTION SWITCH. UNPLUG THE MACHINE AND LET IT COOL DOWN FOR 15 MINUTES. THEN PLUG IT IN AND PRESS THE START SWITCH. IF IT DOES NOT START CHECK YOUR CIRCUIT BREAKER AND EXTENSION CORD. IF YOU STILL HAVE A PROBLEM CONTACT YOUR DISTRIBUTOR.
- 6) TO MOVE YOUR MIXER LIFT IT AND PULL IT WITH THE REAR LEG OF THE STAND WHILE HOLDING THE DUMP HANDLE. NEVER TRY TO MOVE IT WHEN IT IS LOADED. IT WILL BE TO HEAVY AND MAY TILT OVER.

MAINTENANCE

- 1) CLEAN YOUR MIXER AFTER EACH USE. WHEN WASHING THE MIXER DO NOT TO GET WATER IN THE MOTOR. ALSO, BE SURE THE MACHINE IS UNPLUGGED.
- 2) KEEP ALL THE MOVING PARTS LIGHTLY GREASED.
- 3) CHANGE THE GEAR BOX OIL EVERY 3000 HOURS OF OPERATION. USE SAE-40 OIL. YOU MAY NEVER HAVE TO CHANGE THE OIL AS 3000 HOURS IS A LOT OF MIXING TIME.
- 4) MAKE SURE THE BREATHER OPENINGS ON THE END OF THE MOTOR ARE OPEN AND CLEAN OF AND DEBRIS. IF THEY ARE BLOCKED THE MOTOR WILL OVER HEAT AND THE MACHINE WILL SHUT DOWN.

MOVING YOUR CEMENT MIXER

- 1) DISCONNECT THE POWER CORD.
- 2) THE MIXER MUST BE EMPTY WHEN YOU MOVE IT.
- 3) LIFT THE MIXER WITH THE REAR SUPPORT (TONGUE) HANDLE OF THE FRAME AND HOLD THE DUMP HANDLE. PULL THE MACHINE TO THE DESIRED LOCATION.



PARTS LIST

MODEL NUMBER: 1169-0

REF. NO.	PART NUMBER	DESCRIPTION
1	1169-1	SCREW
2	1169-2	MIXING PADDLE
3	1169-3	NUT
4	1169-4	DRUM
5	1169-5	T-BOLT
6	1169-6	WASHER
7	1169-7	GE ARBOX FRAME
8	1169-8	WHEEL
9	1169-9	PLUG
10	1169-10	DUMP HANDLE </td
11	1169-11	RIVET
12	1169-12	I.D.PLATE
13	1169-13	COTTER PIN
15	1169-15	SWIVEL BRACKET
16	1169-16	SPLIT PIN
17	1169-17	PIVOT AXLE
18	1169-18	MAIN FRAME
19	1169-19	SCREW
20	1169-20	REAR ST AND LEG /TONGUE
21	1169-21	WRENCH
22	1169-22	NUT
23	1169-23	SPRING WASHER

