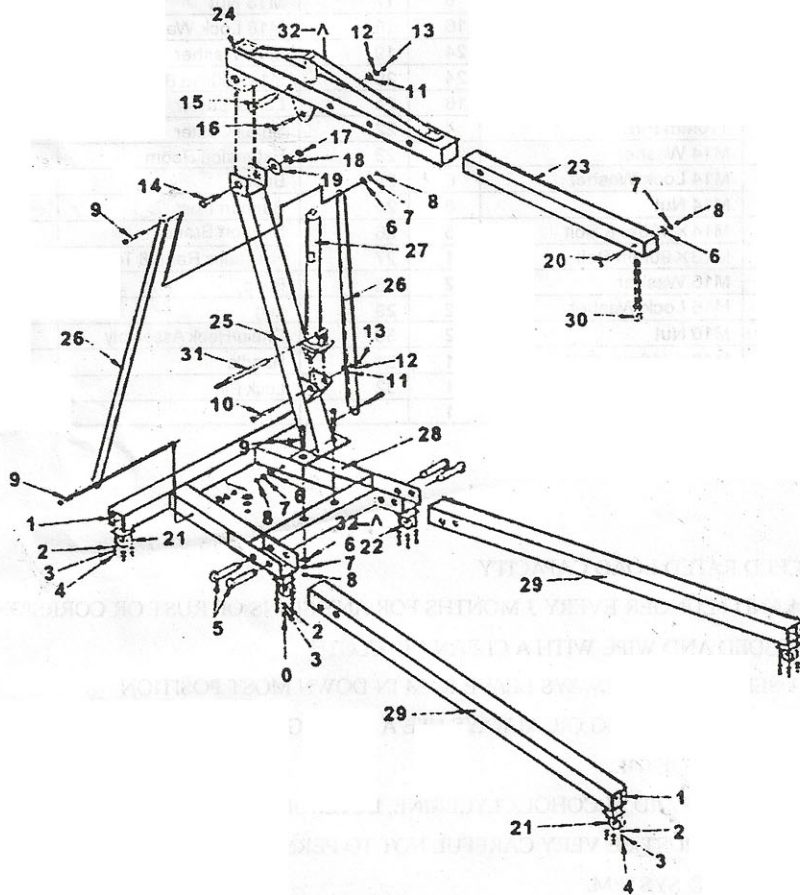


Operating Instructions and parts list

FOLDING HYDRAULIC SHOP CRANE



FOR YOUR SAFETY

please read these instructions carefully and retain them for future use.

IMPORTANTNOTE

SOME TIMES, DURING SHIPMENT AND HANDING, AIR GETS INTO THE HYDRAULIC SYSTEM CAUSING POOR LIFTING PERFORMANCE, PURGE ANY AIR FROM SYSTEM BY FULL OPENING RELEASE VALVE(TURN VALVE COUNTERCLOCKWISE)WHILE HOLDING END OF RAM CYLINDER DOWN, OPERATE PUMP HANDLE RAPIDLY SEVERAL TIME.

PARTS LIST

Part #	Description	Qty.	Part #	Description	Qty.
0	M8×14mm Bolt	8	17	M18 Nut	1
1	M8×20mm Bolt	16	18	M18 Lock Washer	1
2	M8 Washer	24	19	M18 Washer	1
3	M8 Lock Washer	24	20	M14×80mm Bolt	1
4	M8 Nut	16	21	Large Caster	4
5	110mm Pin	4	22	Small Caster	2
6	M14 Washer	6	23	Extension Boom	1
7	M14 Lock Washer	6	24	Boom	1
8	M14 Nut	6	25	Support Post	1
9	M14×100mm Bolt	5	26	Support Brace	2
10	M16×90mm Bolt	1	27	Hydraulic Ram (8 Ton)	1
11	M16 Washer	2	28	Base	1
12	M16 Lock Washer	2	29	Leg	2
13	M16 Nut	2	30	Chain/Hook Assembly	1
14	M18×110mm Bolt	1	31	Handle	1
15	95mm Pin	1	32	Lock Pin	5
16	M16×80mm Bolt	1			

HARDWARE LIST

DO NOT EXCEED RATED LOAD CAPACITY

CHECK RAM AND PLUNGER EVERY 3 MONTHS FOR ANY SIGNS OF RUST OR CORRSION

CLEAN AS NEEDED AND WIPE WITH A CLEAN OIL CLOTH

WHEN NOT USEING, HOIST ALWAYS LEAVE RAM IN DOWN MOST POSITION

WHEN ADDING OR REPLACING OIL ALWAYS USE A GOOD GRADE OF HYDRAULIC JACK OIL, AVOID MIXINGTYPES OF OIL.

DO NOT USE BRAKE FLUID,ALCOHOL,CLYGERINE, DETERGENT, MOTOR OIL OR DIRTY OIL.

WHEN ADDING OIL, MUST BE VERY CAREFUL NOT TO PERMIT DIRT OR OTHER FOREIGN MATTER TO GET INTO SYSTEM.