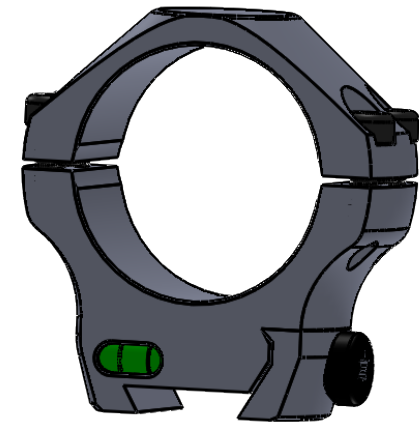
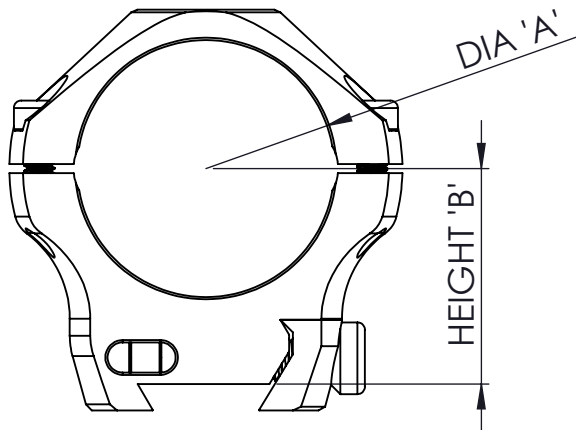
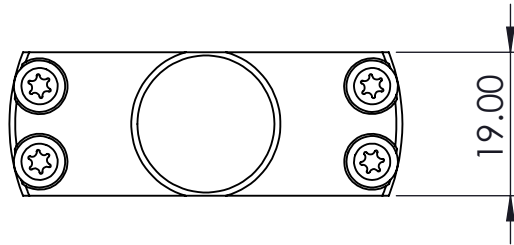


2

1

PART No	T117D30M	T117D30H	T117D34M	T117D34H	T117D35M	T117D35H
DIA 'A'	30MM	30MM	34MM	34MM	35MM	36MM
HEIGHT 'B'	28.5MM	37.5MM	28.5MM	37.5MM	28.5MM	37.5MM



UNLESS OTHERWISE SPECIFIED:

DIMENSIONS ARE IN MM
 TOLERANCES:
 FRACTIONAL \pm
 ANGULAR: MACH \pm BEND \pm
 TWO PLACE DECIMAL \pm
 THREE PLACE DECIMAL \pm

INTERPRET GEOMETRIC TOLERANCING PER:

MATERIAL **AL7075T6**FINISH **ANODISE BLACK**

DO NOT SCALE DRAWING

NAME DATE

DRAWN **CC** 18/05/20

CHECKED

ENG APPR.

MFG APPR.

Q.A.

COMMENTS:

WWW.TIER-ONE.EU

TITLE:

34MM 17 DOVETAIL SPECIFICATIONS

SIZE DWG. NO. REV

A **T117D SPECS**

SCALE: 1:1 WEIGHT: SHEET 1 OF 1

PROPRIETARY AND CONFIDENTIAL

THE INFORMATION CONTAINED IN THIS DRAWING IS THE SOLE PROPERTY OF EVO LEISURE LTD. ANY REPRODUCTION IN PART OR AS A WHOLE WITHOUT THE WRITTEN PERMISSION OF EVO LEISURE LTD IS PROHIBITED.



TRADING NAME OF
 EVO LEISURE LTD
 GREAT BRITAIN

NEXT ASSY

USED ON

APPLICATION

2

1

B

B

A

A