

# Signum Bench Scales

The solution for industrial high precision weighing



German Quality



From quality control to the production floor, Signum is the choice when lab accuracy is required in harsh environments. The cast aluminum and stainless housing provides weigh cell protection up to 650 pounds. When space is tight locate the backlit display on a wall, adjacent bench or post mounting. Optional industrial interfaces include 4-20 mA, Ethernet TCP/IP, Profibus and other field bus configurations.

The right solution for all of these applications:



Weighing



Counting



Filling and dosing



Formulation



Fill quantity control



Classification

## Signum weight indicators for bench scales



Signum 1



Signum 2



Signum 3

User Interface	Application Level 1	Application Level 2	Application Level 3
Keyboard	6 keys	14 keys	28 keys Numerical keyboard
Display	14 segments 20 mm weight readout	14 segments 20 mm weight readout plus application symbols	14 segments 20 mm weight readout plus application symbols

Applications	Level 1*	Level 2*	Level 3
Weighing	•	•	•
Data transfer to printer/PC	•	•	•
ISO test	•	•	•
Counting		•	•
Percentage weighing		•	•
Averaging		•	•
Checking		•	•
Totalizing		•	•
Combination of 3 applications			•
Counting to target (from memory)		•	•
SQ-Min (sample quantity minimum)	•	•	•
Identifier (4 × 40 characters)			•
Product data memory			•
Date/Time		•	•
Bulk counter connection (optional)		•	•
Internal Alibi memory (optional)		•	•

\* not for SIW.EDG

# Signum Configurations

Select a configuration block, application level and capacity with corresponding readability

Signum	Platform Dimension	Construction Material	Application Level	Capacity Kg	Readability Grams	
Regular	SIWR	DC = 13.8" x 9.4"	P = Cast Aluminum	-1	-3	-I = 0.1
				-2	-6	-I = 0.2
				-3	-15	-I = 0.5
					-30	-I = 1.0
					-60	-I = 2.0



Advanced	SIWA	DC = 13.8" x 9.4"	P = Cast Aluminum	-1	-7	-S = 0.1
				-2	-16	-S = 0.2
				-3	-35	-S = 0.5
					-65	-S = 1.0
	SIWA	BB = 7.2" x 7.2"	P = Cast Aluminum	-1	-1.5	-H = 0.01
				-2	-8	-S = 0.1
				-3		
	SIWA	ED = 15.7" x 11.8"	G = Galvanized	-3	-16	-S = 0.2
					-35	-H = 0.5
				-65	-S = 1.0	



Supreme	SIWS	DC = 13.8" x 9.4"	P = Cast Aluminum	-1	-6	-S = 0.1
				-2	-16	-H = 0.1
				-3	-35	-H = 0.1
	SIWS	DC = 14.6" x 10.2"	S = 304 Stainless	-1	-6	-S = 0.1
				-2	-16	-H = 0.1
				-3	-35	-H = 0.1
	SIWS	BB = 7.2" x 7.2"	P = Cast Aluminum	-1	-06	-H = 0.001
				-2	-3	-H = 0.01
				-3	-6	-H = 0.01
	SIWS	BB = 7.2" x 7.2"	S = 304 Stainless	-1	-3	-H = 0.01
				-2	-6	-H = 0.01
				-3		



Model Number Example:

SIWSDCP-2-35-H

SIW	S	DC	P	-2	-35	-H
SERIES	SUPREME force	PLATFORM SIZE	CONSTRUCTION cast	APPLICATION	CAPACITY	RESOLUTION
Signum	compensation	13.8" x 9.4"	aluminum	level 2	35 Kg	0.1 gram

Model Number with Options:

SIWSDCP-2-35-H-A9-L8

Unicom Board Description	Order Code	Option Conflicts	Mechanical Options	Order Code
2nd RS232 (COM1 standard)	-A1			Protection class IP65*
RS422	-A2	* IP65 not available on SIWABBP (1.5kg) SIWSBBP (620 g)	24 volt power supply	-L8
RS485	-A3	** Internal calibration only for SIWS models	Internal battery pack	-L9
Digital I/O 5 input + 5 output	-A5		Integrated calibration weight**	-E7
4-20 mA and 0/10 volt output	-A9		Internal Alibi memory	-E5
Profibus DP	-B1	Cannot combine -A15 & -L9 options	Analog second scale interface	-A15
Ethernet TCP/IP + Modbus TCP	-B9	Other conflicts may exist	Ethernet cable for stainless models	-M38

# Signum scale bases



0.6 kg



1.5, 3, 6 and 8 kg



3 and 6 kg

Small base configuration	SIWSBBP 0.6 kg	SIWABBP 1.5 kg	SIWSBBP SIWSBBS 3 kg	SIWSBBP SIWSBBS 6 kg	SIWABBP 8 kg
Order code resolution Maximum	-H	-H	-H	-H	-I
weighing range Readability	0.62 kg	1.5 kg	3.1 kg	6.1 kg	8 kg
Maximum additive preload	0.001 g	0.01 g	0.01 g	0.01 g	0.2 g
Reproducibility	0 kg	0 kg	3 kg	0 kg	3 kg
Non-linearity	<± 0.001 g	<± 0.03 g	<± 0.01 g	<± 0.01 g	<± 0.2 g
Calibration weight	<± 0.002 g	<± 0.03 g	<± 0.02 g	<± 0.02 g	<± 0.3 g
Calibration weight class	500 g	1000 g	2000 g	5000 g	5000 g
Max. load bearing capacity	E2	F1	E2	E2	F2
Dimensions SIW BBP (W×D×H)	3 kg	30 kg	30 kg	30 kg	30 kg
Dimensions SIW BBS (W×D×H)	266×236×146 mm	266×236×146 mm	266×236×117 mm	266×236×117 mm	266×236×117 mm
Operating temperature range			280 x 250 x 123 mm	280 x 250 x 123 mm	
Storage temperature range	0 ... +40 C°	0 ... +40 C°	0 ... +40 C°	0 ... +40 C°	0 ... +40 C°
IP protection rating SIWSBBP IP	-10 ... +40 C°	-10 ... +40 C°	-10 ... +40 C°	-10 ... +40 C°	-10 ... +40 C°
protection rating SIWSBBS	IP43	IP43 (IP65 opt.)	IP43 (IP65 opt.) IP65	IP43 (IP65 opt.) IP65	IP43 (IP65 opt.)



3, 6, 7 and 15 kg



6 kg

Standard base configuration	SIWRDCP 3 kg	SIWRDCP 6 kg	SIWSDCP SIWSDCS 6 kg	SIWADCP 7 kg	SIWRDCP 15 kg
Order code resolution	-I	-I	-S	-S	-I
Maximum weighing range	3 kg	6 kg	6 kg	7 kg	15 kg
Readability	0.1 g	0.2 g	0.1 g	0.1 g	0.5 g
Maximum additive preload	1.2 kg	1.2 kg	0 kg	0 kg	3 kg
Reproducibility	<± 0.2 g	<± 0.2 g	<± 0.1 g	<± 0.2 g	<± 0.2 g
Non-linearity	<± 0.3 g	<± 0.4 g	<± 0.2 g	<± 0.3 g	<± 0.8 g
Calibration weight	2000 g	5000 g	5000 g	5000 g	5000 g
Calibration weight class	M1	M2	F2	F2	M2
Max. load bearing capacity	300 kg	300 kg	300 kg	300 kg	300 kg
Dimensions SIW DCP (W×D×H)	350×240×134 mm	350×240×134 mm	350×240×134 mm	266×236×117 mm	266×236×117 mm
Dimensions SIW DCS (W×D×H)			370 x 260 x 149 mm		
Operating temperature range	0 ... +40 C°	0 ... +40 C°	0 ... +40 C°	0 ... +40 C°	-0 ... +40 C°
Storage temperature range	-10 ... +40 C°	-10 ... +40 C°	-10 ... +40 C°	-10 ... +40 C° IP43	-10 ... +40 C°
IP protection rating SIW DCP	IP43 (IP65 opt.)	IP43 (IP65 opt.)	IP43 (IP65 opt.)	IP43 (opt. IP65)	-IP43 (IP65 opt.)
IP protection rating SIW DCS			IP65		

# Signum scale bases



16 and 35 kg



16 and 35 kg



16 kg

Standard and large base	SIWADCP 16 kg	SIWSDCP SIWSDCS 16 kg	SIWAEDG 16 kg	SIWSDCP SIWSDPS 35 kg	SIWADCP 35 kg
Order code resolution	-S	-H	-S	-H	-S
Maximum weighing range	16 kg	16 kg	16 kg	35 kg	35 kg
Readability	0.2 g	0.1g	0.2 g	0.1 g	0.5 g
Maximum additive preload	0 kg	5 kg	0 kg	5 kg	0 kg
Reproducibility	<± 0.4 g	<± 0.2 g	<± 0.4 g	<± 0.2 g	<± 1.0 g
Non-linearity	<± 0.6 g	<± 0.2 g	<± 0.6 g	<± 0.2 g	<± 1.5 g
Calibration weight	5000 g	10000 g	5000 g	10000 g	10000 g
Calibration weight class	F2	F1	F2	F1	F2
Max. load bearing capacity	300 kg	300 kg	30 kg	300 kg	300 kg
Dimensions SIW DCP (W×D×H)	350×240×134 mm	350×240×134 mm	400×300×105 mm	350×240×134 mm	350×240×134 mm
Dimensions SIW DCS (W×D×H)		370 x 260 x 149 mm		370 x 260 x 149 mm	
Operating temperature range	0 ... +40 C°	0 ... +40 C°	0 ... +40 C°	0 ... +40 C°	-0 ... +40 C°
Storage temperature range	-10 ... +40 C°	-10 ... +40 C°	-10 ... +40 C°	-10 ... +40 C°	-10 ... +40 C°
IP protection rating SIW DCP	IP43 (IP65 opt.)	IP43 (IP65 opt.)	-IP65	IP43 (opt. IP65)	-IP43 (IP65 opt.)
IP protection rating SIW DCS		IP65		IP65	



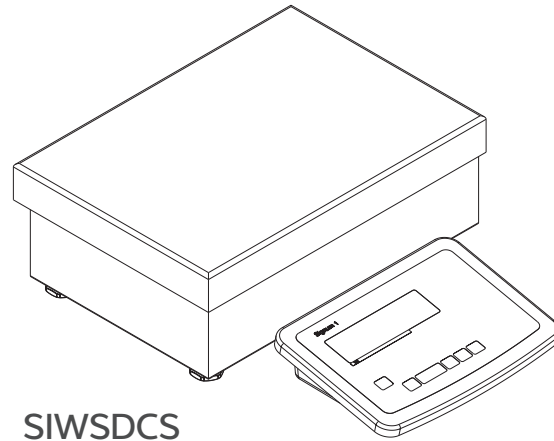
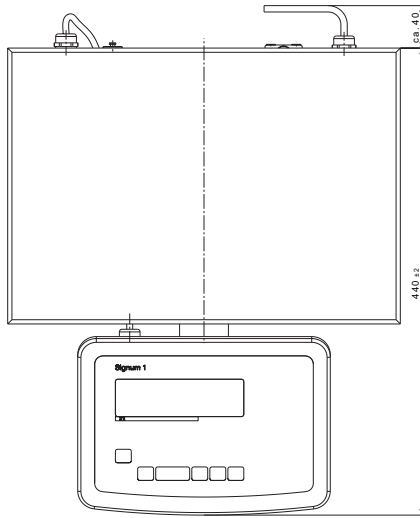
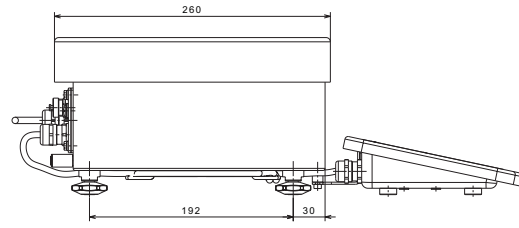
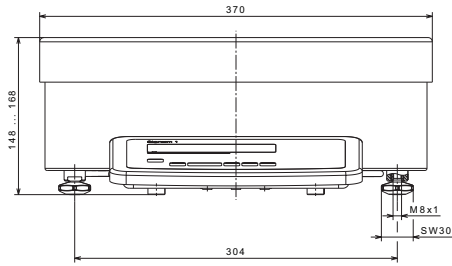
35, 60 and 65 kg



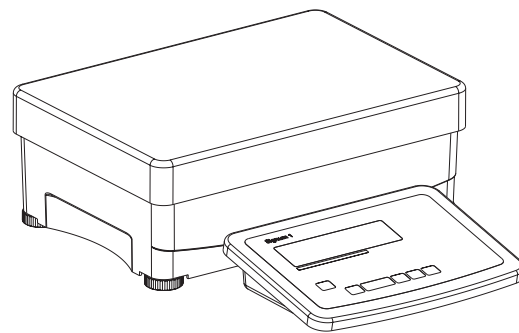
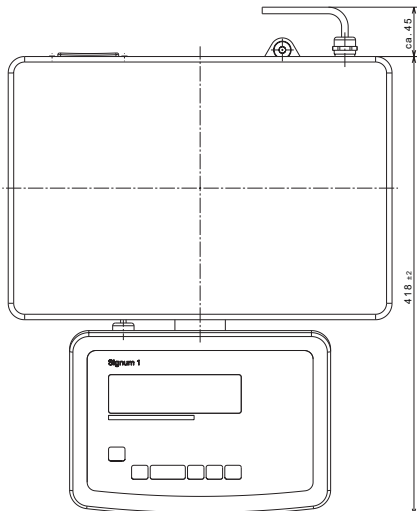
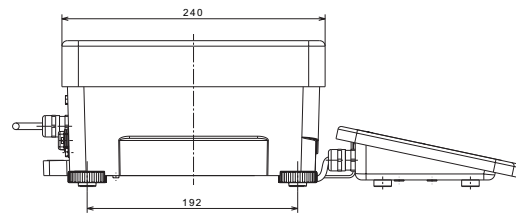
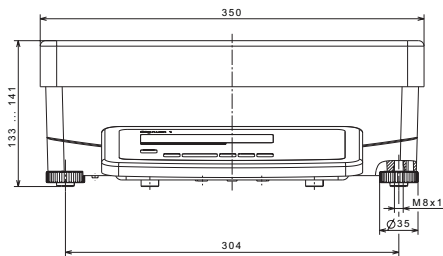
35 and 65 kg

Standard and large base	SIWAEDG 35 kg	SIWRDCP 35 kg	SIWRDCP 60 kg	SIWADCP 65 kg	SIWAEDG 65 kg
Order code resolution	-S	-S	-I	-S	-S
Maximum weighing range	35 kg	35 kg	60 kg	65 kg	65 kg
Readability	0.5 g	0.5g	2 g	1.0 g	1.0 g
Maximum additive preload	0 kg	0 kg	6 kg	0 kg	0 kg
Reproducibility	<± 1.0 g	<± 1.0 g	<± 1.0 g	<± 2.0 g	<± 2.0 g
Non-linearity	<± 1.5 g	<± 1.5 g	<± 1.5 g	<± 3.0 g	<± 3.0 g
Calibration weight	10000 g	10000 g	10000 g	20000 g	20000 g
Calibration weight class	F2	F2	M2	F2	F2
Max. load bearing capacity	60 kg	60 kg	300 kg	300 kg	100 kg
Dimensions SIW DCP (W×D×H)	400×300×105 mm	350×240×134 mm	350×240×134 mm	350×240×134 mm	400×300×105 mm
Dimensions SIW DCS (W×D×H)					
Operating temperature range	0 ... +40 C°	0 ... +40 C°	0 ... +40 C°	0 ... +40 C°	0 ... +40 C°
Storage temperature range	-10 ... +40 C°	-10 ... +40 C°	-10 ... +40 C°	-10 ... +40 C°	-10 ... +40 C°
IP protection rating SIW DCP	IP65	IP43 (IP65 opt.)	IP65	IP43 (opt. IP65)	IP65
IP protection rating SIW DCS					

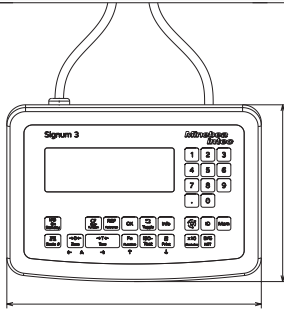
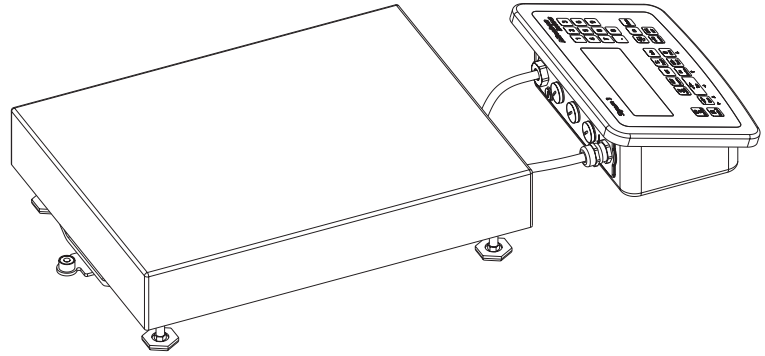
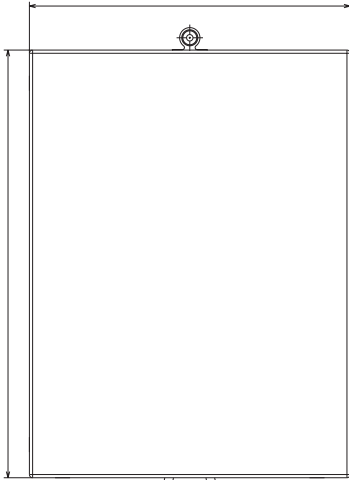
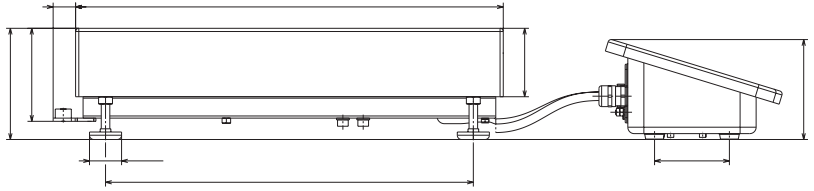
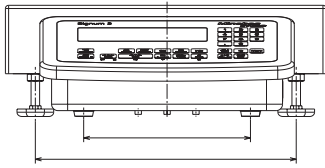
# Signum Dimensions



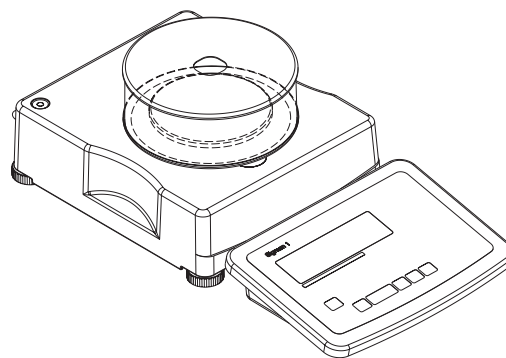
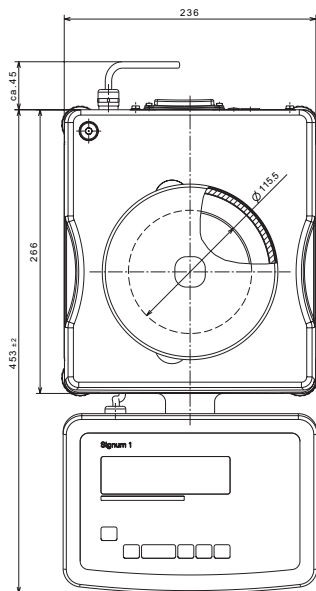
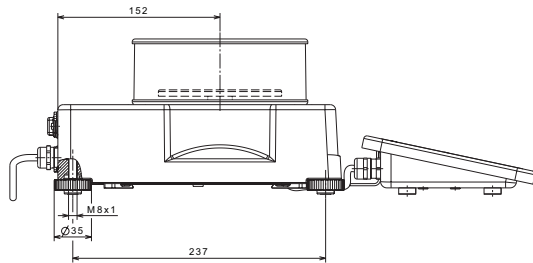
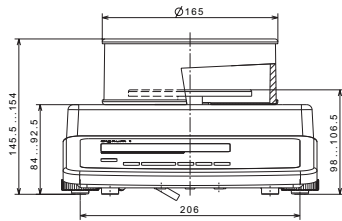
**SIWSDCS**  
304 stainless



**SIWADCP, SIWRDCP, SIWSDCP**  
cast aluminum

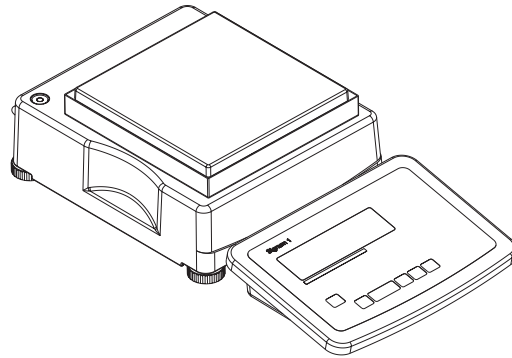
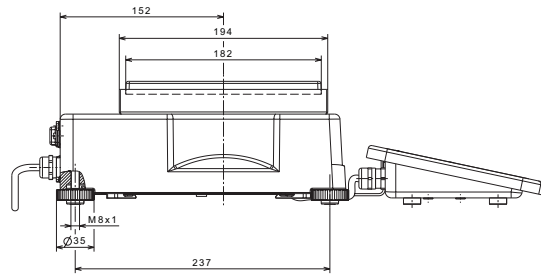
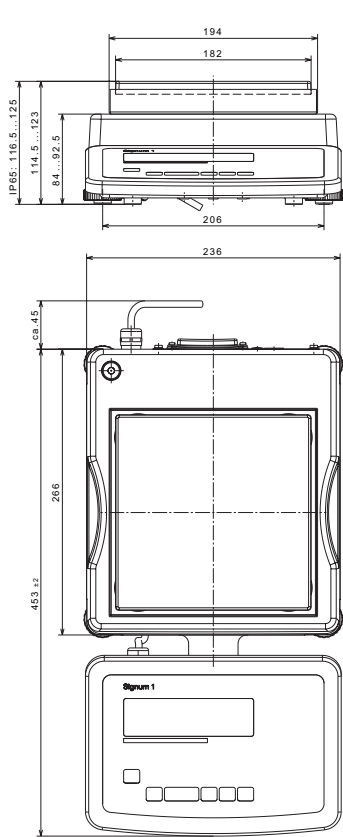


**SIWAEDG**  
galvanized

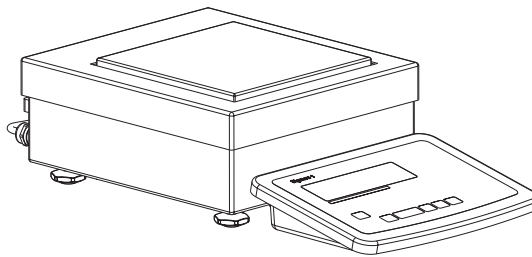
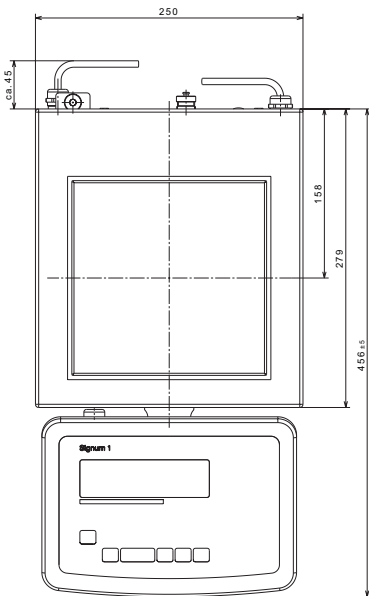
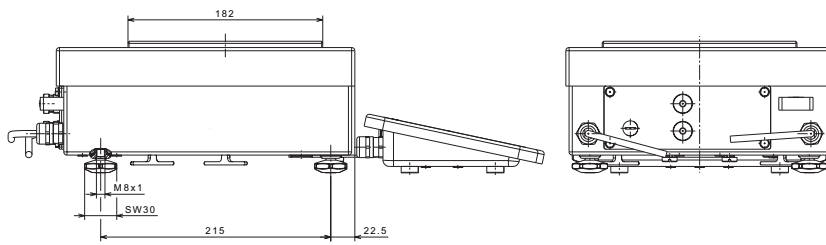
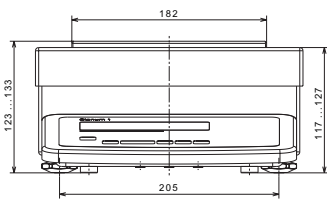


**SIWSBBP (600 gram only)**  
cast aluminum





**SIWSBBP**  
cast aluminum



**SIWSBBS**  
304 stainless

All dimensions in mm

The technical data given serves as a product description only and should not be understood as guaranteed properties in the legal sense.

Specifications subject to change without notice.  
Rev. 08/2019

Minebea Intec USA, Inc.  
1180 Lincoln Ave.  
Holbrook, NY 11741  
Phone 866-963-8587  
www.minebea-intec.com