

Midrics Indicators

Highest quality at affordable prices



German Quality

The Midrics[®] indicator is both compact and powerful. The analog to digital algorithm provides a stable, accurate readout even at higher resolution levels. Flexible mounting for wall, bench or post installation is adaptable to almost any existing application. The sealed display along with strain relief cable entry provides IP65 wash down protection while the full stainless housing is chemical resistant.

The right solution for the following:



Weighing



Counting



Filling and dosing



Formulation



Fill quantity control



Classification

Midrics Application Level



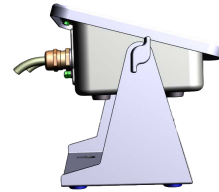
NTEP APPROVED
Class III
C of C 08-097A2



MIS1UR-V1



MIS2UR-V2

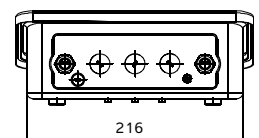
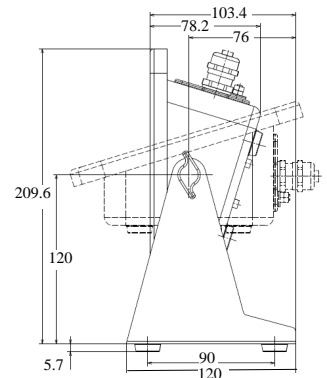
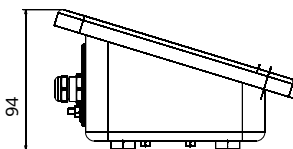
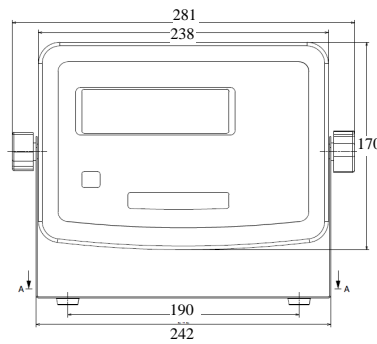
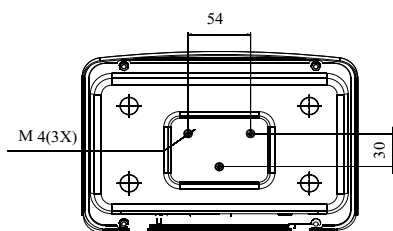
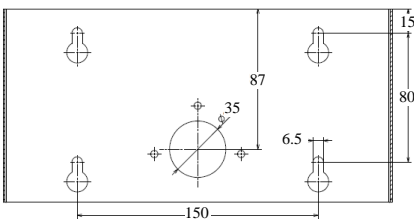


Applications and Hardware

Standard Hardware	MIS1UR-V1	MIS2UR-V2
Keyboard	5 keys	23 keys (incl. numeric keypad)
Display	14 segments 20 mm weight readout	14 segments 20 mm weight readout Application symbols
Communication port	RS232	RS232
Standard Applications		
Weighing	•	•
Data transfer to printer or PC	•	•
Parts counting		•
Percentage weighing		•
Averaging		•
Checking/classification		•
Totalizing		•
Net total		•
4 product ID's, up to 40 characters each	•	•
Date/Time (US and military format)	•	•

Available Data Interfaces

Optional Unicom Interfaces	MIS1UR-V1	MIS2UR-V2
2nd RS232 YDO01M-232CO	•	•
RS485 / RS422 YDO01M-485	•	•
Digital I/O, 5 input, 5 output YDO01M-IO	•	•
Analog output, 4-20 mA, 0-20 mA, 0-10 V YDA01M-20MA	•	•
Ethernet TCP/IP, Modbus TCP YDO01M-EN	•	•



The technical data given serves as a product description only and should not be understood as guaranteed properties in the legal sense.

Specifications subject to change without notice. Rev.4/18

Minebea Intec USA, Inc.
1180 Lincoln Ave.
Holbrook, NY 11741
Phone 866-963-8587
www.minebea-intec.com