

# High Resolution Ex Scales

## Electromagnetic Signum and IS Series



When precision measurement is required for weighing hazardous materials Minebea Intec has the answer. All models are Factory Mutual approved. Scales 3 kg and higher are approved for operation in Class I,II and III, Division 1 and 2 hazardous areas for all material groups. Instrumentation can be located almost anywhere, in or out of the hazardous area and up to 1,000 feet from the scale base.

### Consider these standard attributes:

- ① Cast aluminum or stainless steel enclosures are rugged and chemical resistant.
- ① Laboratory balance accuracy for bench scales down to 0.001 gram and up to 35 kg capacity.
- ① Power supplies can be operated in the hazardous area including battery options for portable applications.
- ① Convenience features include backlit displays and optional motorized internal calibration. Easy transfer of data to safe area for processing and storage.

# Hazardous Area Scale Specifications



- 0-9 data entry keypad
- IP65 dust & water protection
- Post, base or wall mount
- Multiple weight conversions
- RS232 interface
- Multiple application programs
- Time and date
- Backlit display
- Printout formatting
- Lot numbering

Signum / IS-X Approval

Ex Approvals



USA:  
IS/CL I,II,III/DIV 1/GP ABCDEFG T4

Canada:  
IS/CL I,II,III/DIV 1/GP ABCDEFG T4

## Signum Complete Scales - Indicator and Base

Select Power Supply Below

Model Number	Capacity		Readability		Reproducibility grams (<±)	Non-linearity grams (<±)	Construction Material	Calibration Weight Kg	Weighing Platform in.	Platform IP Rating	Ship Weight lb.
	Kg	lb	g	lb							
SIWXSBBP-3-06-H*	0.6	1.3	0.001	0.000002	0.001	0.002	Cast Aluminum	0.5	4.5 diameter	43	20
SIWXSBBP-3-3-H	3.1	6.8	0.01	0.00002	0.01	0.02	Cast Aluminum	2	7.1 x 7.1	65	21
SIWXSBBP-3-3-H	3.1	6.8	0.01	0.00002	0.01	0.02	304 Stainless	2	7.1 x 7.1	65	21
SIWXSBBP-3-6-H	6.1	13.5	0.01	0.00002	0.01	0.02	Cast Aluminum	5	7.1 x 7.1	65	21
SIWXSBBP-3-6-H	6.1	13.5	0.01	0.00002	0.01	0.02	304 Stainless	5	7.1 x 7.1	65	21
SIWXSDBP-3-35-H	35	77	0.1	0.0002	0.2	0.2	Cast Aluminum	10	13.7 x 9.5	65	43
SIWXSDBP-3-35-H	35	77	0.1	0.0002	0.2	0.2	304 Stainless	10	14.6 x 10.2	65	43

\*SIWXSBBP-3-06-H approved for Class I, Div.1, Group ABCD



BBS 304 Stainless



BBP Cast Aluminum



DCP Cast Aluminum



DCS 304 Stainless

## IS-X Scales - Base Only

Select Power Supply Below

Model Number	Capacity		Readability		Reproducibility grams (<±)	Non-linearity grams (<±)	Construction Material	Calibration Weight Kg	Weighing Platform in.	Platform IP Rating	Ship Weight lb.
	Kg	lb	g	lb							
ISXSBBS-3-H	3.1	6.8	0.01	0.00002	0.01	0.002	304 Stainless	2	7.1 x 7.1	65	19
ISXSBBS-6-H	6.1	13.5	0.01	0.00002	0.01	0.02	304 Stainless	5	7.1 x 7.1	65	19

## IS-X Scale Indicator Ordering Info



### Include All Part Numbers When Ordering

- CAIXS2-U Ex indicator
- Option A19 RS485 interface Option
- M26 Cable to connect base

CAIXS2-U Approval

Ex Approvals



USA:  
IS/CL I,II,III/DIV 1/GP ABCDEFG T4

Canada:  
IS/CL I,II,III/DIV 1/GP ABCDEFG T4

## IS-X and Signum Power Supplies

Part Number	Description	Application
YPS02-XUR	Power supply, 100-240 V, USA hazardous area use, 16 foot cable	All Signum & CAIXS2-U, hardwired to wall
YPS02-XKR	Power supply, 100-240 V, Canada hazardous area use, 16 foot cable	All Signum & CAIXS2-U, hardwired to wall
YPS02-ZKR	Power supply, 100-240 V, USA + Canada outside hazardous area	All Signum & CAIXS2-U, plug to wall
YRB02-X	Power supply, USA + Canada external rechargeable battery	All Signum & CAIXS2-U, plug to indicator
YRB02LD	Battery charger for use outside hazardous area	Use with YRB02-X battery

## Hazardous Area Accessories

### Ex Display Mounting Hardware

Part Number	Description	Use with Product	Type
YDH01P	Stainless steel rear mounted column 19.6" height	Signum	DCP cast aluminum
YDH02P	Stainless steel rear mounted column 15.75" height	Signum	BBP cast aluminum
YDH01CWSUS	Stainless steel rear mounted column 13" height	Signum	DCS stainless steel
YDH02CWSUS	Stainless steel rear mounted column 19.6" height	Signum	DCS stainless steel
YDH03CWSUS	Stainless steel rear mounted column 25.5" height	Signum	DCS stainless steel
YDH02CISUS	Stainless steel tiltable wall mount kit	All Signum & CAIXS2-U	All versions

### Zener Barriers

Part Number	Description	Use with Product	Cabling	Scale Output to Barrier Output
YDI05-ZU2	Zener barrier from hazardous to safe area	Signum	20 meters included	RS232 to RS232 or RS485 to RS485
YDI05-ZU3	Zener barrier from hazardous to safe area	Signum or CAIXS2-U	YCC422-X or YCC485-X (A or B)	RS422 to RS232 or RS485 to RS485
YDI05-ZU1	Zener barrier from hazardous to safe area	CAIXS2-U	20 meters included	RS232 to RS232 or RS485 to RS485

### Cables

Part Number	Description	Use with Product	Cable Length	Barrier Type
YCC422-X type A	RS422 cable to barrier, conversion to RS232	CAIXS2-U	Specify length in feet	Use barrier YDI05-ZU3
YCC422-X type B	RS422 cable to barrier, conversion to RS232	Signum	Specify length in feet	Use barrier YDI05-ZU3
YCC485-X type A	RS485 cable to barrier, no conversion	CAIXS2-U	Specify length in feet	Use barrier YDI05-ZU3
YCC485-X type B	RS485 cable to barrier, no conversion	Signum	Specify length in feet	Use barrier YDI05-ZU3
YCC01-03ISM5	RS485 & RS232 from barrier to DB25 female	Signum & CAIXS2-U	5 meters	Use any barrier
YCC01-09ISM5	RS485 & RS232 from barrier to DB9 female	Signum & CAIXS2-U	5 meters	Use any barrier

### IS-X Series Indicator Specifications



APPROVED  
Class: III, IIIL  
C of C: 19-055



#### CAIXS2-U Hazardous Area Indicator

Intended for use with all IS-X products, the CAIX2-U is designed to complement the high accuracy digital bases.

#### Features

- RS232 switchable to RS485/RS422 for base or long distance data transmission
- Multiple weighing applications with 0-9 keyboard for tare or data entries
- Dual base connection possible, one analog and one digital scale
- Operation in safe or hazardous area with secondary remote indicator option
- Printer compatibility when used with zener barrier in safe area

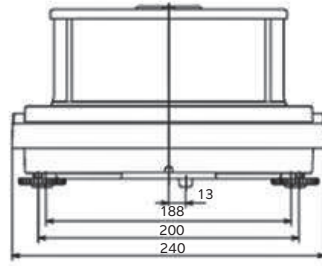
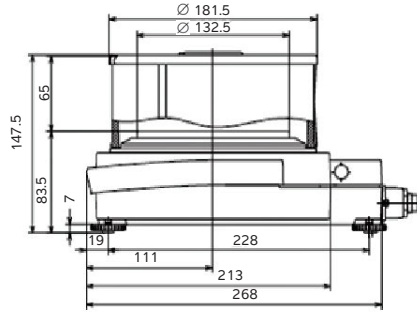
NOTE: Separate power supply required for base and indicator

Data Interfaces	RS232 Switchable RS485 or RS422
Power Supplies USA & Canadian	Via external power supply unit 14-pin round connector FM (US): YPS02-XUR CSA: YPS02-XKR FM/CSA: YPS02-ZKR safe area YRB02-X FM/CSA
Ex Approvals	USA: IS/CL I,II,III/DIV 1/GP ABCDEFG T4  Canada: IS/CL I,II,III/DIV 1/GP ABCDEFG T4

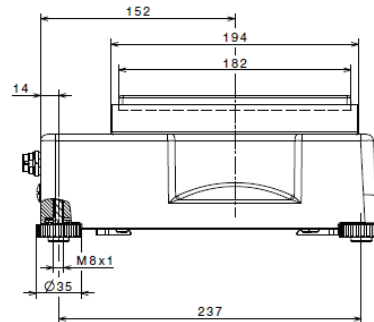
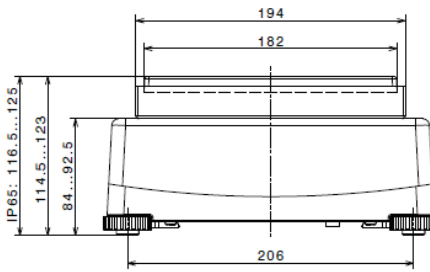


## Dimensional Drawings

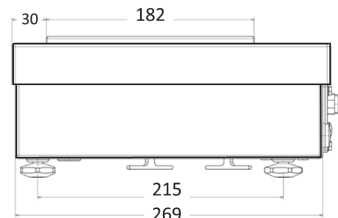
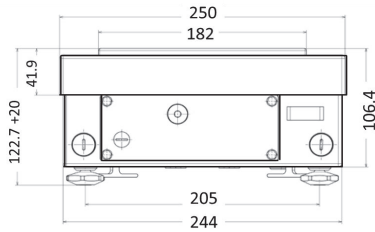
### BBP Cast Aluminum Housing (0.001 g model)



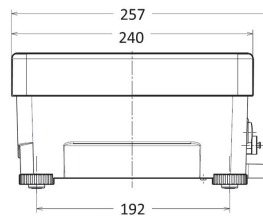
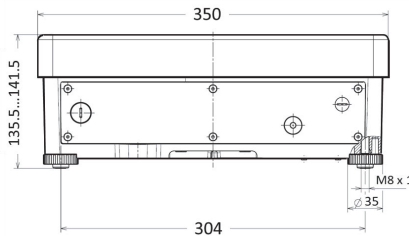
### BBP Cast Aluminum Housing



### BBP Stainless Housing



### DCP Cast Aluminum Housing



### DCS Stainless Housing

