

the Sous Chef™ 12

Instruction Book - BFP660



Breville®



Contents

- 2 Breville Recommends Safety First
- 6 Components
- 8 Assembly
- 9 Functions
- 14 Food Processing Guide
- 18 Care & Cleaning
- 19 Troubleshooting
- 21 Recipes
- 31 French

IMPORTANT SAFEGUARDS

At Breville we are very safety conscious. We design and manufacture consumer products with the safety of you, our valued customer, foremost in mind. In addition we ask that you exercise a degree of care when using any electrical appliance and adhere to the following precautions.

BREVILLE RECOMMENDS SAFETY FIRST

- Carefully read all instructions before operating the appliance for the first time and save for future reference.
- Blades and cutting discs are sharp. Handle them carefully.

- Remove and safely discard any packaging materials and promotional labels before using the appliance for the first time.
- To eliminate a choking hazard for young children, remove and safely discard the protective cover fitted to the power plug of this appliance.
- To protect against electrical shock, do not immerse the power cord, power plug or motor base in water or any other liquid.
- Do not place the appliance near the edge of a counter top or table during operation. Ensure the surface is level, clean and free of water. Vibration during operation may cause the appliance to move during use.
- Do not place the appliance on or near a hot gas or electric burner, or where it could touch any other source of heat.
- Do not use on a sink drain board.
- Always make sure the food processor is completely assembled before operating. The appliance will not operate unless properly assembled.
- Ensure the POWER | OFF button has been pressed and the power cord is unplugged from the power outlet before attaching any blade, disc or lid.
- Handle the food processor and attachments with care. Blades and discs are razor-sharp and should be kept out of reach from children.
- To reduce the risk of injury, always secure the processing bowl onto the motor base before attaching the blades or discs.
- Do not allow the power cord to hang over the edge of a table or counter, touch hot surfaces or become knotted. Unwind the power cord fully before use.
- Keep hands as well as spatulas and other utensils away from moving blades or discs while processing food, to prevent the possibility of severe personal injury or damage to the food processor. A plastic spatula may be used, but only when the food processor is stopped. Ensure the POWER | OFF button has been pressed to switch the motor off and remove the power cord from the outlet before removing the lid from the processing bowl.
- Avoid contact with moving parts. Never push food down by hand when slicing or shredding. Always use pusher.
- Make sure motor has completely stopped before removing cover.
- Be sure cover and feed tube are securely locked in place before operating food processor.
- Never try to override or tamper with cover interlock mechanism.
- Always remove the plug from the power outlet if the appliance is not in use, before attempting to move the appliance, before cleaning, disassembling, assembling and when storing the appliance.
- Some stiff mixtures, such as dough, may cause the processing blade to rotate more slowly than normal. If this happens, do not process for longer than 1 minute.
- Do not process hot or boiling liquids - allow liquids to cool before placing into the processing bowl.
- Do not move appliance while in operation.
- Do not place any part of the food processor in a microwave oven.
- Do not fill the processing bowl above the MAX line. Always add drier or thicker ingredients to the processing bowl prior to adding fluids.

- Never remove the lid while the appliance is operating. Always use the POWER | OFF or PAUSE buttons to stop the machine before lid removal.
- Care should be taken when removing the food from the processing bowl by ensuring the motor and blade/disc has completely stopped before disassembling. Ensure the POWER | OFF button has been pressed to switch the motor off and unplug the power cord from the power outlet before removing the lid from the processing bowl. The processing bowl should then be unlocked from the motor body and the blade/disc should be carefully removed before attempting to remove the processed food.
- Do not use harsh abrasive, caustic cleaners or oven cleaners when cleaning the appliance.

IMPORTANT SAFEGUARDS FOR ALL ELECTRICAL APPLIANCES

- This appliance is for household use only. Do not use the appliance for anything other than its intended purpose as described in this book. Do not use outdoors. Do not use in moving vehicles or boats.

- The use of attachments not sold or recommended by Breville may cause fire, electric shock or injury.
- Do not leave the appliance unattended when in use.
- Ensure the motor and blade/disc have completely stopped before disassembling. Ensure the POWER | OFF button has been pressed to switch the motor off and unplug the power cord from the power outlet when not in use, if left unattended and before assembling, cleaning or storing.
- This appliance is not intended for use by young children or infirm persons without supervision. Young children should be supervised to ensure that they do not play with the appliance.
- Regularly inspect the power cord, power plug and actual appliance for any damage. Do not operate any appliance with a damaged cord or plug or after the appliance malfunctions, or is dropped or damaged in any manner. Immediately cease use of the appliance and visit www.Breville.com or call Breville Consumer Service for examination, repair or adjustment.
- For any maintenance other than cleaning, visit www.Breville.com or call Breville Consumer Service.
- This appliance has a polarized plug (one blade is wider than the other). To reduce the risk of electric shock, this plug will fit in a polarized outlet only one way. If the plug does not fit fully in the outlet, reverse the plug. If it still does not fit, contact a qualified electrician. Do not modify the plug in any way.

BREVILLE ASSIST™ PLUG

Your Breville appliance comes with a unique Assist™ Plug, conveniently designed with a finger hole in the power plug for easy and safe removal from the wall outlet. For safety reasons it is recommended you plug your Breville appliance directly into its own electrical outlet on a dedicated circuit separate from other appliances. If the electric circuit is overloaded with other appliances, your appliance may not function properly. Use in conjunction with a power strip or extension cord is not recommended.

SHORT CORD INSTRUCTIONS

Your Breville appliance is fitted with a short power supply cord as a safety precaution to prevent personal injury or property damage resulting from pulling, tripping or becoming entangled with a longer cord. Do not allow children to use or be near this appliance without close adult supervision. Longer detachable power supply cords or extension cords are not recommended but may be used if care is exercised. If an extension cord is used, (1) the marked electrical rating of the cord set or extension cord should be at least as great as the electrical rating of the appliance, (2) the cord should be arranged so that it will not drape over the countertop or tabletop where it can be pulled on by children or tripped over unintentionally.

SAVE THESE INSTRUCTIONS

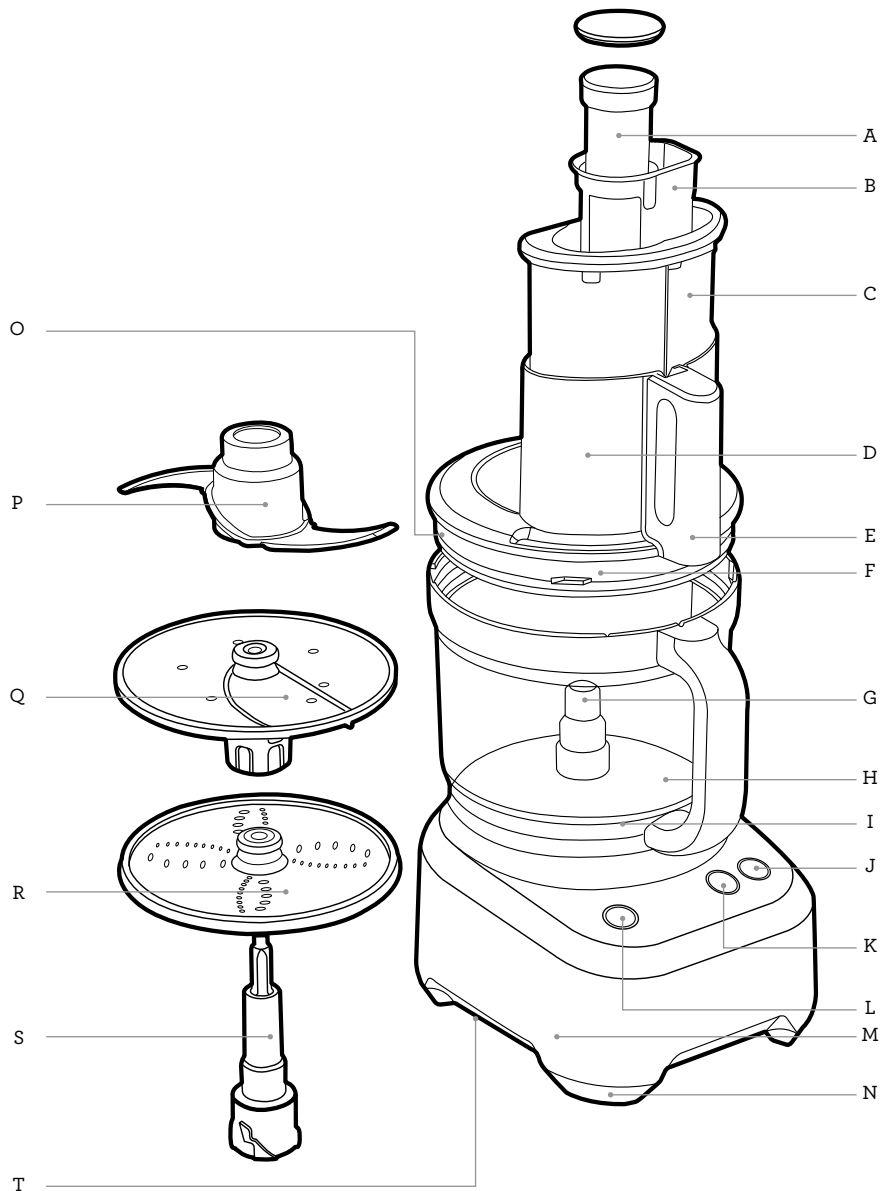
SPECIFICATION

Power Rating	120V- 60Hz 7.5A
Outside Dimensions	440mm (H) with bowl 195mm (W) 280mm (D)
Net Weight	Approx. 7.5kg

These specifications may change without notice.



Components



A. Small food pusher

Remove to process smaller ingredients with improved control. It also doubles as a measuring cup for ingredients. Note that the food processor will run continually whether the small pusher is in or out.

B. Mid food pusher

The food processor will run continually whether the mid pusher is in or out.

C. Large food pusher

Note that the food processor will not start unless the large pusher is in place correctly, as it releases the safety interlock system.

D. Extra wide feed chute

5 inch (13cm) wide, for large ingredients.

E. Safety interlock system

Prevents the motor from operating unless the bowl and lid are correctly locked in position, and large feed pusher is inserted.

F. Processing lid

Locks onto the processing bowl and forms part of the safety interlock system.

G. Bowl coupling

Sintered stainless steel motor connector with vibration absorption.

H. Processing bowl

12 cup capacity for dry ingredients and 8 cups for thick liquid ingredients (eg. soups). The processing bowl locks onto the motor base by turning clockwise.

I. Safety braking system

Rapidly stops S-Blades if lid is unexpectedly opened.

J. PULSE button

Press and release for momentary bursts of power.

K. START | PAUSE button

Once the POWER button has been activated, this will start and stop the motor.

L. POWER | OFF button

Provides power to the food processor unit, and puts it into READY mode.

M. Direct drive motor base

Induction motor for high torque and reliable results.

N. No-skid rubber feet

O. Silicone seal

This replaceable seal reduces the chance of leakage while processing larger volumes of liquid ingredients.

P. Micro-serrated S-Blade™

Swift action for even chopping, mixing, whipping and processing a variety of ingredients. Safety braking system rapidly stops S-Blades if lid is unexpectedly opened.

Q. Fine and coarse reversible shredder

R. Adjustable slicer 0.3mm-8.0mm thickness

S. Spindle

Use with all blades and discs.

T. Cord storage

Cord can be pushed into the housing to reduce length.



Assembly

BEFORE FIRST USE

- Before using your food processor for the first time, remove any packaging material and promotional labels. Ensure the POWER button is OFF and the food processor is unplugged.
- Be careful when handling the blades and discs as they are extremely sharp.
- Wash the processing bowl, processing lid and all attachments in warm soapy water with a soft cloth. Rinse and dry thoroughly. The attachments may be washed in the dishwasher.
- When first using your food processor, you may notice an odor coming from the motor. This is normal and will dissipate with use.
- Always use the food processor on a dry, level work surface.

ASSEMBLY

1. Position the processing bowl onto the motor base with the handle in line with the ALIGN HANDLE graphic on the motor base.



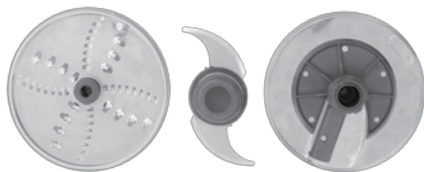
2. Turn the bowl clockwise until the handle locks to the front. The processing bowl should now be securely locked into position. The food processor will not operate unless the bowl is locked into position correctly.



3. The spindle is required when using ALL discs and blades. Failing to use the spindle will damage the parts, and incorrect use this way may cause the parts to fuse together.



4. Before placing the lid onto the processing bowl, position the spindle over the coupling in the center of the processing bowl. Then position your chosen blade or disc over it. The blades drop down lower than the discs.



5. Place lid onto the processing bowl so that the ALIGN | LOCK graphics on the lid and handle align. To LOCK the lid, hold the chute and turn clockwise so that the handle parts align. Locking the lid correctly will engage the interlocking safety catch on the handle, and allow the motor to run.



Functions

OPERATION

- The food processor will only operate when the processing bowl, lid and large pusher are correctly assembled. This engages the safety interlock, and allows the motor to run.
- The POWER | OFF button illuminates red when the machine is connected to power and is ready to run.
- The START | PAUSE button allows the motor to run continuously until pressed again. If the lid, bowl or large pusher are removed while the motor is running, the button will flash. The motor will resume running when the bowl, lid and large pusher are assembled and the safety interlock is engaged, the button light will be solid (no longer flashing).
- The momentary PULSE button is ideal for processing foods that need sudden bursts of power. It also encourages ingredients to move around the bowl. PULSE is also best when processing foods that only require processing for a short period of time.

- Use a combination of the START | PAUSE and PULSE buttons for control when processing food.
- The chute has a MAX CHUTE FILL graphic to indicate the maximum volume of food that can be placed in the chute for the pusher to activate the safety locking catch.
- After processing, wait until the blades/discs have stopped moving before unlocking the lid. To ensure safe handling, turn off at the POWER button and unplug at the power outlet before handling the blades.
- When removing blades/discs, lift by carefully grip the plastic hub in the center.

OVERLOAD PROTECTION SYSTEM

- The food processor has an overload protection system to prevent damage to the motor. If activated, the food processor will go into standby mode, and the buttons will flash.
- Unplug and allow to cool for 30 minutes. Once cooled, you will be able to use the food processor as usual again.
- Note that some stiff mixtures (such as bread dough) may cause the blade to rotate more slowly than normal. If this happens, do not process for more than 1 minute.
- If the blades or discs jam with food while processing, immediately and unplug from the power outlet before clearing the wedged food. If this happens more than once, the bowl may be overloaded. Try processing in smaller batches.

CHOPPING WITH THE MICRO-SERRATED S-BLADE™

The micro-serrated S-blade chops raw and cooked food to the consistency required, from coarsely chopped to minced. The blades process very efficiently, and may take less time than expected to process many large tasks.

Always remember to place the spindle and S-blade into the processing bowl before adding the food.

Avoid over-processing by checking the consistency frequently. For many tasks, we recommend using the PULSE button, as it may only take a few seconds to fully process food to your desired consistency.

If necessary, turn the POWER off and use a spatula to scrape down the sides of the bowl to encourage even processing.

Raw vegetables, fruit and cooked meats

Trim and cut food into 1 inch (2.5cm) cubes. Process no more than 6 cups at a time using the PULSE button at 1-2 second intervals until chopped to desired size or consistency.

Raw meat, chicken and fish

Trim excess fat and cut food into 1 inch (2.5cm) cubes. Ensure all bones are removed. Chill for a short time in freezer until firm as this will help to cut through the food more readily. Process no more than 2¼ pounds (or 1kg) of raw meat at a time. At this capacity the motor should run for no more than 30 seconds at a time. Use a combination of the START | PAUSE and the PULSE button until chopped or minced to the desired consistency.

Garlic, chili and ginger

Peel garlic cloves and process them whole. Leave chilies whole, or remove seeds for milder chili. Peel and cut ginger into 1 inch (2.5cm) cubes.

For other solid herbs like lemongrass or galangal, peel and cut into cubes or pieces between ½ and 1 inch in size.

Size should be made smaller for harder or more dense herbs.

Process using the PULSE button at 1-2 second intervals until chopped to the desired consistency.

Store chopped herbs with a little vegetable oil in an airtight container in the refrigerator for up to 1 week.

If adding garlic, chili or ginger to other ingredients, drop whole pieces down the small feed chute while the motor is running.

Leafy herbs

Wash and dry herbs thoroughly. Remove any coarse stems. Process no more than 2 bunches of herbs (approx. 4 cups) at a time using the PULSE button at 1-2 second intervals until chopped to the desired consistency.

Use leafy herbs immediately for the most aromatic results in your recipe.

Nuts

Process no more than 4½ cups of shelled nuts at a time using the PULSE button at 1-2 second intervals until chopped to the desired consistency.

Dried fruit

Dried fruit can be sticky, and may stick to the blades during processing. We recommend putting dried fruit in the freezer for about 10 minutes before processing. Process no more than 2 cups at a time using the PULSE button at 1-2 second intervals until chopped to the desired consistency.

If chopping fruit to add to cake mixture, process the fruit before making the cake mix. Add a little flour (from the quantity of flour in the recipe) to prevent fruit from sticking to the S-blade.

We do not recommend chopping large dried fruits such as dates and figs.

Soft breadcrumbs

Break stale bread into chunks (fresh bread will stick to blades). Process no more than 4-6 slices at a time using the PULSE button at 1-2 second intervals until crumbed to desired consistency. For best results when making bread crumbs, add one slice at a time.

Dried breadcrumbs

Tear bread into chunks and toast in oven until golden and crisp. Do not over brown. Process no more than 4-6 slices at a time using the PULSE button at 1-2 second intervals.

Cookie crumbs

Break cookies into quarters, and weigh a maximum of 8oz (250g). Process using the PULSE button at 1-2 second intervals until chopped to the desired consistency. Sweet or savory cookie crumbs can be used as an alternative to pastry for sweet or savory pies.

Do not process very hard cookies as this may damage the blades.

PURÉEING WITH THE MICRO-SERRATED S-BLADE™

The micro-serrated S-blade purées raw and cooked food to the consistency required, including baby food. The blades process very efficiently, and cut the time needed to purée many tasks.

Always remember to place the S-blade into the processing bowl before adding the food.

Carefully remove the S-blade after puréeing food and use a spatula to scrape food adhering to the blade and bowl.

Baby food

Trim and cut vegetables and meat into 1 inch (2.5cm) cubes. Cook vegetables and meat before processing. Process no more than 6 cups at a time using the START | PAUSE button in intervals until the food is puréed to a smooth and even consistency. Stock, milk or gravy can be added through the small feed chute if the mixture becomes too thick.

Excess baby food can be frozen in ice-cube trays, and packed in single serve freezer bags ready for use.

Peanut butter

Process no more than 4½ cups of shelled nuts at a time using the START | PAUSE button until chopped to the desired consistency.

The volume of nuts reduces after processing, for example 2 cups of nuts will make around 1 cup of nut butter.

Natural nut butter (without using stabilizers) will separate on standing, and needs to be stirred before use.

MIXING WITH THE MICRO-SERRATED S-BLADE™

The S-blade mixes ingredients for cakes, batters, and cookie doughs.

The S-blade can also emulsify egg-based sauces such as mayonnaise.

Always remember to place the spindle and S-blade into the processing bowl before adding the food.

Butter cake and cookie dough

Place softened, chopped butter and sugar into the processing bowl. Process using the START | PAUSE button until the mixture is lightly creamed. With the motor running, add eggs one at a time through the small feed chute, mixing well after each egg is added. Take lid off and add liquid and dry ingredients to the mixture. Process using the PULSE button until folded evenly. Scrape down sides of bowl as needed. Do not over-process.

Add choc chips, nuts, dried fruit, etc after the main mixture is done. Use the PULSE button in very short bursts until the additions are combined. Do not over-process, as these larger ingredients will break down quickly.

Quick-mix cakes and batters

Place all ingredients in the bowl, starting with liquids, and being careful not to exceed the MAX LIQUID level. Process using the PULSE button until folded evenly. Scrape down sides of bowl as needed. Do not over-process.

This method can also be used for melt 'n' mix cakes, packet cake mixes and crêpe batters.

KNEADING WITH THE MICRO-SERRATED S-BLADE™

Always remember to place the spindle and S-blade into the processing bowl before adding the food.

Pastry dough

Place flour and chilled, cubed butter into the processing bowl.

Do not process more than 2 cups (300g) of flour using the START | PAUSE button in intervals until the butter is absorbed into the flour.

Steadily add liquid through the small feed chute with the motor still running. Process until the mixture forms a ball.

Bread or pizza dough

Place flour and dry ingredients into the processing bowl, including instant active dry yeast.

Do not process more than 5 cups (700g) of flour or using the START | PAUSE button in intervals.

Steadily add liquid (including oil) through the small feed chute with the motor still running. Process until the mixture until it forms a soft, elastic dough ball.

Transfer dough ball to a lightly floured surface and knead for a further 5 minutes if necessary until soft and pliable.

If processing more than two recipes of dough ingredients (700g flour), allow the motor base to cool for an extended period before subsequent kneading.

Place dough into a large, greased mixing bowl and cover. Stand in a warm place until it has doubled in size. Turn the dough out onto a lightly floured surface and knead again until smooth and elastic. Shape the dough then allow to rise in a warm area before baking in a hot oven.

SLICING, GRATING AND SHREDDING

Important: The spindle must be used with both the adjustable slicer and the reversible shredder/grater.

Adjustable slicer

Will slice food to an even and consistent thickness. It can be adjusted to 24 settings, from very fine (0.3mm) to thick (8.0mm). To adjust the slicing thickness, hold the adjustable slicing disc by the outer edge with one hand, and turn the adjustment dial on the underside with the other hand. An arrow graphic indicates the thickness of the slice you will get.

Reversible grater and shredder

This disc has an array of small blades on both sides of the disc. Align the disc so larger holes face up for courser textured results, or with the smaller holes facing up for finer results. The discs are labelled showing which side faces up.

CONTROLLING THE INGREDIENTS

It is important to position the food in the chute to gain maximum control and best results.

Smaller ingredients

For long thin foods such as carrots, cucumbers, zucchini, etc., use the small feed chute. This will avoid the ingredient from tipping over during slicing.

Larger ingredients

The wide feed chute is 5in (13cm) wide, and can fit ingredients up to this size. The chute

can be packed to fill the width of the chute. The food should fit snugly so it is supported in an upright position in the chute, but not so tight that it could prevent the food from moving down the chute.

Medium feed chute

Use the medium feed chute for 'in-between' food processing. The medium feed chute is 2¾ in (7cm) wide, and can fit ingredients up to this size. The chute can be packed to fill the width of the chute. The food should fit snugly so it is supported in an upright position in the chute, but not so tight that it could prevent the food from moving down the chute.

Take care not to overfill the chute, as the pusher will not activate the interlock safety catch if the chute is too full. Do not fill over the MAX CHUTE FILL graphic.

Pressure

When processing, never force the food down the chute as this can damage the discs.

Apply light pressure for soft foods such as tomatoes and bananas.

Apply medium pressure for firmer foods such as potatoes and apples.

Apply firm pressure for hard foods such as parmesan cheese and deli meats such as salami.

Round fruit and vegetables

Prepare fruit or vegetables by washing and peeling (if necessary).

Small fruit and vegetables should be trimmed on one end so the food sits flat inside the feed chute.

Large fruit and vegetables may need to be cut in half to fit in the chute. Pack the chute from left to right.

Long fruit and vegetables

Prepare fruit or vegetables by washing and peeling (if necessary).

Ingredients can be cut cross-sectionally to create circular results. Use the small and medium feed chute, or pack ingredients vertically in the large feed chute.

Ingredients can be cut lengthwise to create ribbons. Use the large feed chute, and trim ingredients if necessary to encourage them to sit flat in the feed chute when the disc starts. Pack the large feed chute horizontally.

Leafy vegetables

Cut cabbage into wedges to fit the feed chute. For lettuce, separate leaves, then roll up and pack vertically in the feed chute.

Cheese

Caution should be taken when processing cheese in a food processor. For soft cheese such as mozzarella, partially freeze it until firm. This will help prevent jamming the disc.

Round cheeses such as mozzarella should be trimmed at one end to encourage them to sit flat in the feed chute with the disc starts.

Hard cheeses such as parmesan must be checked first to ensure they are not too hard (to avoid damaging blade edges). The cheese should slice easily with a sharp knife and remove the rind before processing.

Wedge shaped cheeses such as parmesan can be packed side by side to form a rectangular shape in the chute.

Deli meats

Cut in lengths to fit the height of the feed chute. The length must not be higher than MAX CHUTE FILL graphic. Pack with the cut side facing down. For hard cured sausages like salami and pepperoni trim on one end and process one sausage at a time through the small or medium feed chute, depending on size.

Chocolate

Break a block of chocolate into small pieces, and chill until firm. Pack into the small feed chute, and then shred.



Food Processing Guide

For more information about preparation of food and how to process, refer to basic processing techniques. For specific recipes, refer to the recipe section.

FOOD	BLADE TYPE	ADJUSTABLE SLICING DISC THICKNESS	RECOMMENDED DISC TYPE
Avocado	S-blade Use: Guacamole	2-5	
Beets (cooked)		2-5	Shredder Use: Salad
Butternut Squash	S-blade Use Butternut squash soup		
Cabbage / Lettuce		Thin 1-2 and med 2-3 Use: Accompaniment	Shredder Use: Salad
Carrot	S-blade Use: Vegetable soup	0-5	Shredder Use: Salad
Cauliflower (cooked)	S-blade Use: Cauliflower soup		
Celery	S-blade Use: Vegetable soup	Thin 1-2 med 2-3 Use: Salad	
Eggplant	S-blade Use: Accompaniment, soups	2-5 Use: Grilled eggplant	
Herbs	S-blade Use: Seasoning or pesto		
Leeks	S-blade Use: Cooked for soups	2-5 Use: Vegetable soup	
Onion	S-blade Use: Soups, sauces	0-5 Use: Salad	
Potatoes		0.3-6 Use: Potato au Gratin	Shredder Use: hash browns
Potatoes (cooked)	S-blade Use: Mash potato		
Tomatoes	S-blade Use: Salsa	2-5 Use: sandwich filling, caprese salad, tomato relish	

FOOD	BLADE TYPE	ADJUSTABLE SLICING DISC THICKNESS	RECOMMENDED DISC TYPE
Apple / Pear	S-blade Use: Apple sauce	2-5 Use: Apple pie	
Apple / Pear (cooked)	S-blade Use: Baby food	4-6 Use: Fruit salad	
Dried Fruit	S-blade Use: Fruit salad, dessert sauce		
Batters	S-blade Use: Cakes, pancake, waffle batter		
Breadcrumbs	S-blade Use: Coatings, breadcrumb stuffing		
Cheese		2-5 Use: Garnish, sandwich fillings	Shredder - coarse or fine Use: Grated cheese for pizza
Chocolate	S-blade Use: Chocolate ganache		Shredder - Coarse or fine Use: Dessert decoration
Doughs	S-blade Use: Bread, pizza, pastry		
Eggs (whole or yolks)	S-blade Use: Mayonnaise		
Meat (raw)	S-blade Use: Meatloaf, burgers, meatballs		
Meat (cooked)	S-blade Use: Sandwich fillings, pate, baby food		
Meat (deli)		1-6 Use: Sandwiches, antipasto, pizza toppings	



Care & Cleaning

Remove the power cord from the power outlet after use for safety reasons.

Processing bowl and lid

Due to the interlock components, we do not recommend immersing the bowl in water for long periods.

To keep your bowl and lid clean, and to avoid food drying on, follow these steps as soon as possible after use:

- Rinse most of the ingredients off the bowl and lid.
- Hand wash in warm, soapy water using a mild liquid detergent and non-abrasive sponge.

Motor base

To clean the motor base, wipe with a soft, damp cloth then dry thoroughly. Wipe any excess food particles from the power cord.

Cleaning agents

Do not use abrasive scouring pads or cleansers on either the motor base or the jug, as they may scratch the surface. Use only warm soap water with a soft cloth.

Dishwasher

The processing bowl and lid may occasionally be washed in the dishwasher (top shelf only), however washing in the dishwasher is not recommended on a regular basis, as prolonged exposure to harsh detergents, hot water and pressure will damage and shorten the life of the plastic and the interlock components.

Stubborn food stains and odors

Strong smelling foods such as garlic, fish and some vegetables such as carrots may leave an odor or stain the bowl or lid.

To remove, pour warm soapy water and fill to the MAX LIQUID mark. Set aside to soak for 5 minutes, without immersing the whole bowl. Then wash with a mild detergent and warm water, rise well and dry thoroughly. Store the bowl with the lid off.

Storage

Place the large food pusher (with medium and small pushers inserted) into the feed chute for storage.

Store your food processor upright, with the bowl and lid resting in position, but not locked. Locking the bowl and lid can put unnecessary strain on the safety interlock.

All accessories should be kept in a safe place out of the reach of children to avoid accidental cuts. It is not recommended to store the discs in a drawer with other utensils.

We recommend storing the S-blades inside the bowl, with the variable slicer on top. These blades are extremely sharp, and the bowl provides natural protection.

Do not place anything else on top of your food processor during storage.



Troubleshooting

PROBLEM	EASY SOLUTION
Food is unevenly processed	<ul style="list-style-type: none"> • Ingredients should be cut evenly into 1 inch (2.5cm) pieces before processing. • Ingredients should be processed in batches to avoid overloading.
Slices are slanted or uneven	<ul style="list-style-type: none"> • Place evenly cut food into the feed chute. • Apply even pressure on the pusher.
Food falls over in the feed chute	<ul style="list-style-type: none"> • The large feed chute must be packed full for best results. If processing smaller quantities, place items to the far left in the feed chute, or use the small or medium feed chute, depending on the food size.
Some food remains on top of the disc after processing	<ul style="list-style-type: none"> • It is normal for small pieces to remain after processing.
Motor slows down when kneading dough	<ul style="list-style-type: none"> • Amount of dough may exceed maximum capacity. Remove half and process in two batches. • Dough may be too wet (see below). If motor speeds up, continue processing. If not, add more flour, 1 tablespoon at a time until the motor speeds up. Process until dough cleans the side of the processing bowl.
Dough doesn't clean inside of the processing bowl	<ul style="list-style-type: none"> • Amount of dough may exceed food processor maximum capacity. Remove half and process in two batches. • Dough may be too dry (see below).
Dough feels tough after kneading	<ul style="list-style-type: none"> • Divide dough into 2 or 3 pieces and redistribute evenly in processing bowl. Process 10 seconds or until uniformly soft and pliable.
Dough is too dry	<ul style="list-style-type: none"> • While machine is running, add water through the small feed chute, 1 tablespoon at a time until dough cleans the inside of the processing bowl.
Dough is too wet	<ul style="list-style-type: none"> • While machine is running, add flour through the small feed chute, 1 tablespoon at a time until dough cleans the inside of the processing bowl.

PROBLEM

EASY SOLUTION

The motor does not start

- There is a safety interlock switch to prevent the motor from starting if it is not properly assembled. Make sure the processing bowl and lid are securely locked into position.
- If you are slicing or shredding and the above solution does not work, make sure that the food contents in the feed chute are cut below the maximum fill line so that the activation rod can engage the motor.
- Make sure the large food pusher is inserted in the feed chute low enough to engage safety interlock switch.
- If the motor still will not start, check the power cord and power outlet.

The food processor shuts off during operation

- The lid may have become unlocked; check to make sure it is securely in position.
- If the motor overloads, all buttons will flash in unison. Unplug at the wall, and allow the food processor to cool for 20–30 minutes before resuming.

The motor slowed down during operation

- This is normal as some heavier loads (e.g. slicing/shredding cheese) may require the motor to work harder. Reposition the food in the feed chute and continue processing.
- The maximum load capacity may have been exceeded. Remove some of the ingredients and continue processing.

The food processor vibrates/moves during processing

- Make sure the rubber feet at the bottom of the unit are clean and dry. Also make sure that the maximum load capacity is not being exceeded.
- This is normal as some heavier loads may require the motor to work harder.



Recipes

Homemade Mayonnaise

🕒 Prep 5 minutes

🥄 Makes 1½ cups

3 egg yolks
3 teaspoons Dijon mustard
2 tablespoons lemon juice or white wine vinegar
1½ cups (375ml) grapeseed or light olive oil
Salt, to taste

1. Assemble food processing with spindle and S-blade. Place yolks, mustard and lemon juice, or vinegar, into bowl and secure lid. Process for 20 seconds or until combined.
2. While food processor is running, remove small food pusher and gradually add oil in a slow, steady stream and process until mixture thickened and combined. This will take approximately 2½ minutes. Season to taste with salt.

Variation

Garlic Aioli

Add 2 cloves of garlic, with the egg yolks.
Use olive oil instead of grapeseed oil.

Chipotle Chile Mayonnaise

Add 1 chipotle chili in adobo sauce with the egg yolk.

Roasted Red Pepper Mayonnaise

Add 1 roasted red pepper, peeled, seeds removed, roughly chopped and 1 clove garlic with the egg yolks.

Lime and Wasabi Mayonnaise

Use lime juice instead of lemon and add 1 teaspoon wasabi paste.

Caesar Dressing

Add 4 anchovies, 1 clove garlic and 1 tablespoon Worcestershire sauce with the egg yolk. Increase lemon juice to ¼ cup.

Parsley, Chive & Lemon Pesto

🕒 Prep 5 minutes

🥄 Makes 1¼ cups

2 cups firmly packed fresh flat-leaf parsley
¾ cup coarsely chopped fresh chives
½ cup (60g) finely grated parmesan
½ cup (65g) slivered almonds, toasted
1 clove garlic
1 teaspoon lemon juice
½ cup (125ml) olive oil
½ teaspoon finely grated finely grated lemon rind
Salt and freshly ground black pepper, to taste

1. Assemble food processor with spindle and S-blade. Place all ingredients into bowl, in the order listed, and secure lid. Process for 50 seconds or until almost smooth, scraping down sides of processor bowl if necessary. Stir through lemon rind. Season with salt and pepper to taste.
2. Transfer to an airtight container and place in the fridge until ready to use.

To store

Pesto will keep in an airtight container in the fridge for a few days. To prevent excess browning, pour a little extra oil over the top before storing.

Roasted Red Pepper, Pine Nut & Feta Dip

🕒 Prep 20 minutes / Cook 10 minutes

🍴 Makes 1½ cups

2 (about 1 lb or 550g) large red peppers
Olive oil spray
¾ cup (115g) pine nuts, toasted
¼ cup chopped fresh flat-leaf parsley
2 tablespoons chopped fresh cilantro
1 clove garlic
2 tablespoons lemon juice
1 tablespoon olive oil
½ teaspoon ground coriander
½ teaspoon smoked hot paprika
3 oz (80g) feta, crumbled
Salt and freshly ground black pepper, to taste

1. Preheat oven to 425°F/220°C no fan (350°F/180°C fan-forced). Pierce peppers a few times with a fork, spray with oil and place on a large baking tray lined with non-stick baking paper.
2. Roast for 40 minutes, turning halfway, or until skin is blistered and blackened. Seal inside a large re-sealable bag and set aside for 10 minutes or until cool enough to handle. Peel and discard skin. Carefully open peppers (steam will escape) to remove and discard seeds and membranes.
3. Assemble food processor with spindle and S-blade. Place pepper flesh, pine nuts, parsley, cilantro, garlic, lemon juice, coriander and smoked paprika into bowl and secure lid. Process for 20 seconds or until just combined and still a little chunky. Season with salt and pepper. Transfer to a serving bowl. Stir through feta. Cover and refrigerate for 1 hour for flavors to develop.

Leek & Potato Soup

🕒 Prep 15 minutes / Cook 35 minutes

🍴 Serves 4

2 leeks, white part only, trimmed
2 tablespoons olive oil
3 tablespoons butter (40g) butter, chopped
1 lb 10 oz (750g) potatoes, peeled, roughly chopped
4 cups (1L) chicken stock
Salt and white pepper, to taste

1. Assemble food processor with spindle and variable slicer set to setting 3-4 and secure lid. Place leeks one by one into small feed chute, white side down. Using food pusher thinly slice leeks.
2. Heat oil and butter in a large, heavy based saucepan over medium heat. Add leeks and cook, stirring occasionally, for 3-4 minutes until softened. Add potatoes and stock. Cover, bring to a boil then reduce heat to moderately low and simmer, stirring occasionally, for 25 minutes or until potatoes are soft. Allow the soup to cool.
3. Assemble food processor with spindle and S-blade. Transfer half the soup into the processor, secure lid, and process until smooth. Repeat with the remaining soup.
4. Return pureed soup to saucepan. Heat over medium heat until hot. Season to taste with salt and white pepper. Serve with our PARSLEY, CHIVE & LEMON PESTO recipe, drizzled over the top.



TIPS

If soup becomes too thick when cooking or processing add a little extra stock or water.

Chargrilled Chipotle Shrimp Cakes with Lime & Avocado Aioli

🕒 Prep 20 minutes / Cook 10 minutes

🍴 Serves 4

2 cloves garlic
1 green onion, roughly chopped
1½ tablespoons chopped fresh cilantro leaves
2 chipotle chilies in adobo sauce
1 tablespoon of adobo sauce
3 teaspoons lime juice
2 teaspoons finely grated lime rind
2¼lb (1kg) uncooked large shrimp, peeled, deveined
½ cup (40g) panko breadcrumbs
Salt and freshly ground black pepper, to taste
Cooking oil spray, to grease
Lime wedges, to serve

Lime & Avocado Aioli Ingredients

1 medium avocado, peeled, stone removed, roughly chopped
¼ cup (60g) of our homemade mayonnaise recipe (see page 22)
2 tablespoons lime juice
2 cloves garlic
Salt and freshly ground black pepper, to serve
Lime wedges, to serve

1. To make shrimp cakes, assemble food processor with spindle and S-blade. Place garlic, green onion, chilies, adobo sauce, lime juice and lime rind into bowl and secure lid. Process for 15-20 seconds or until finely chopped. Add shrimp and breadcrumbs and secure lid. Process for 10-15 seconds or until minced and combined.
2. Using damp hands form tablespoons mixture into patties. Place onto a tray lined with non-stick baking paper and place in the fridge for 30 minutes.
3. To make aioli, assemble clean and dried food processor bowl, spindle and S-blade. Place avocado, mayonnaise, lime juice and garlic into bowl and secure lid. Process for 30 seconds or until combined, scraping down sides of bowl halfway. Transfer to a serving bowl, cover and place in the fridge until ready to serve.
4. Preheat a grill or chargrill pan on medium heat. Spray shrimp cakes with oil. Cook for 2-3 minutes each side or until cooked through. Serve with aioli and lime wedges.

Carrot Falafel with Radish Tzatziki

🕒 Prep 25 minutes / Cook 10 minutes

🍴 Serves 4

15oz (400g) can chickpeas, rinsed, drained
3 slices day old white bread, crusts removed, quartered
⅓ cup sesame seeds
1 red onion, peeled, quartered
2 cloves garlic
2 medium (180g) carrots, peeled
1 egg, lightly beaten
2½ tablespoons tahini
3½ tablespoons plain flour
2 teaspoons ground cumin
1 teaspoon ground coriander
½ teaspoon baking powder
¼ teaspoon sweet paprika
Salt and pepper, to taste
Vegetable oil, for shallow frying
Lemon wedges, to serve
Mixed leaf salad, to serve

Radish Tzatziki Ingredients

5 radishes (170g), trimmed, roughly chopped
⅓ cup fresh mint leaves
1 clove garlic
¾ cup (200g) plain full fat Greek yogurt
2 teaspoons fresh lemon juice
Salt and pepper, to taste

1. To make carrot falafel, assemble food processor with spindle and coarse shredder and secure lid. Place carrots into the small feed chute. Process carrots, pushing down with small food pusher until grated. Transfer carrot to a bowl and squeeze out any excess liquid.
2. Remove shredding disc, dry processing bowl completely and assemble processor with S-blade. Place bread into processing bowl and process for 20 seconds to make bread crumbs. Set aside in a bowl. Stir in sesame seeds. Add onion and garlic to food processor bowl and secure lid. Process 10-20 seconds or until finely chopped.
3. Add carrots, chickpeas, egg, tahini, flour, cumin, coriander, baking powder, half the bread crumbs and paprika to processing bowl. Season with salt and pepper and secure lid. Process for 10-15 seconds or until just combined. Texture should be slightly chunky, stop processing before it forms a puree. Transfer to a bowl.
4. Form level tablespoons of mixture into balls. Roll in remaining breadcrumb mixture then transfer to a tray lined with non-stick baking paper. Cover and refrigerate for 1 hour or until firm.
5. To make tzatziki, assemble clean and dried food processor bowl, spindle and S-blade. Place radishes, mint and garlic into food processor. Process for 15 seconds, scraping down sides of bowl if necessary or until finely chopped. Add yogurt and lemon juice. Pulse until just combined. Season with salt and pepper. Transfer to a serving bowl.
6. Pour enough oil into a large, deep frying pan until 2in (5cm) deep. Shallow-fry falafel in batches, turning until golden all over, then drain on paper towels. Serve with radish tzatziki, lemon wedges and salad.

Moroccan Style Spiced Meatball & Egg Tagine

🕒 Prep 15 minutes / Cook 20 minutes

🍴 Serves 4

1 lb (500g) boneless beef chuck, cut into ¾in (2cm) pieces
1 slice day old bread, crust removed, torn into small pieces
2½ tablespoons chopped fresh flat-leaf parsley
2½ tablespoons chopped fresh mint leaves, plus 1 tablespoon extra to garnish
2 teaspoons ground cumin
1½ teaspoons smoked paprika
1 teaspoon ground cinnamon
¼ teaspoon ground allspice
5 eggs
2 tablespoons oil
1 onion, peeled, roughly chopped
2 cloves garlic, crushed
28oz (800g) can diced tomatoes
Toasted Turkish flat or pita bread, to serve

1. Preheat oven to 400°F/200°C no fan (350°F/180°C fan-forced).
2. Assemble the food processor with bowl, spindle and S-blade. Add beef into bowl and secure lid. Process for 10 seconds or until minced. Transfer to a bowl.
3. Place bread, parsley, mint, 1 teaspoon cumin, ½ teaspoon paprika, ½ teaspoon cinnamon and allspice into processing bowl and secure lid. Process for 10 seconds or finely chopped. Return beef mince to processing bowl and add 1 egg. Pulse until mixture is combined. Form tablespoons mixture into meatballs.
4. Add 1 tablespoon oil in a large, deep ovenproof frying or cast iron skillet over medium high heat. Cook meatballs, in batches, for 8 minutes or until browned and almost cooked through, add more oil to the pan if required. Transfer to a large plate.
5. Assemble the cleaned and dried food processor with spindle and S-blade. Place onion into bowl and secure lid. Process for 10-15 seconds or until finely chopped.
6. Heat remaining oil in the frying pan over medium heat. Add onion and cook, stirring for 8 minutes or until golden brown. Add garlic, remaining cumin, remaining paprika and remaining cinnamon. Cook, stirring, for 30 seconds or until fragrant. Add tomatoes. Bring to a simmer over medium heat. Reduce heat to low and simmer for 8 minutes or until thickened slightly. Add meatballs. Stir until coated.
7. Make four wells in the tomato mixture. Carefully crack remaining eggs into each well. Bake for 10-12 minutes or until eggs whites are just set and yolks are still a little runny. Garnish with extra mint and serve with toasted Turkish bread.



TIPS

Swap beef for boneless lamb shoulder or lamb leg. For a little extra spicy kick add 1 finely chopped red chilli with the garlic and spices.

Pizza Dough

🕒 Prep 5 minutes plus 30 minutes to rest

🍳 Makes enough for four 12" (30cm) thin crust pizzas or two 12" (30cm) thicker crust pizzas

3 cups (400g) bread flour
1 tablespoon instant dried yeast
1 tablespoon sugar
1 tablespoon salt
1 tablespoon olive oil
1 cup (250ml) warm water

1. Assemble food processor with spindle and S-Blade. Place flour, yeast, sugar, salt, olive oil and water into bowl and secure lid. With the motor running, slowly add the water through the feed chute. Process until dough forms into a ball. Do not over process.
2. Carefully remove dough and knead on a lightly flour dusted surface to smooth. Place dough ball into a lightly oiled bowl, cover and rest in a warm place for 30 minutes or until dough has doubled in size. Turn dough out on a floured surface and punch down the dough to remove excess air then lightly knead.
3. For thin crust, divide dough into 4 x 6oz (170g) dough balls, cover and set aside until required. For thicker crust, divide dough into 2 even dough balls, cover and set aside until required.

Vietnamese Chicken Salad (Goi Ga)

🕒 Prep 25 minutes / Cook 12 minutes

🍳 Serves 4

2 skinless chicken breast fillets
4 cups (1L) chicken stock
3 cardamom pods
2 star anise
2 cinnamon sticks
Freshly ground pepper, to taste
¼ medium green cabbage
6oz (200g) snow peas, trimmed
2 medium carrots, peeled, halved crossways
2 Asian red shallots, peeled
1 cup (90g) bean sprouts
1 cup packed fresh mint leaves
1 cup packed fresh cilantro leaves
2/3 cup (100g) roasted peanuts, roughly chopped
½ cup fried shallots (see TIP), to garnish
1 fresh long red chili, thinly sliced, to garnish (optional)

Dressing

2 fresh small red (birds eye) chillies
2 cloves garlic
1" (2.5cm) piece ginger, peeled, roughly chopped
¼ cup (60ml) fish sauce
½ cup (125ml) fresh lime juice
2½ tablespoons sugar

1. To make dressing, assemble food processor with spindle and S-blade. Place ingredients into bowl and secure lid. Process for 15 seconds or until combined and sugar has dissolved. Transfer to a jug.
2. Place chicken in a saucepan, cover with stock, add cardamom, star anise and cinnamon. Season with pepper. Bring to a simmer over high heat. Reduce heat to low and simmer for 10 minutes or until chicken is just cooked through. Remove from heat and set aside in pan for 15 minutes to cool. Use a slotted spoon to transfer the chicken to a heatproof bowl. Cover with plastic wrap and place in fridge for 2 hours to chill. Discard stock and spices.
3. Assemble the cleaned and dried food processor with spindle and coarse shredding disc and secure lid. Shred carrot, in batches, through small feed chute. Shred snow peas, in batches, through large feed chute. Transfer carrot mixture to a large bowl.
4. Assemble food processor with spindle and slicing disk (set to 2) and secure lid. Cut cabbage into wedges to fit large feed chute. Process cabbage in batches until shredded. Add to carrot mixture. Again with the slicing disk (set to 1), thinly slice shallots through the small or medium feed chute, depending on size. Add to cabbage mixture with the bean sprouts, mint, cilantro and half the peanuts then toss to combine.
5. Finely shred the chicken (by hand) and add to cabbage mixture. Drizzle over dressing and toss to combine. Divide among serving bowls garnish with remaining peanuts, fried shallots and chili.



TIPS

- Fried shallots can be found in the Asian aisle of your supermarket or Asian grocery stores.
- For a less spicy dressing remove seeds from the chili.

Goat Cheese & Leek Tart

🕒 Prep 20 minutes / Cook 1 hour

🍴 Serves 6–8

2 leeks, white part only
3oz (80g) butter, chopped
1 tablespoon olive oil
1 tablespoon chopped fresh thyme,
plus extra sprigs to garnish
Sea salt and freshly ground black pepper, to taste
3oz (80g) goats cheese, crumbled
1¼ cup (300ml) heavy cream
4 eggs

Shortcrust Pastry Ingredients

2 cups (250g) all-purpose flour
1 stick plus 1 tablespoon (135g) cold butter, chopped
1 egg
1–2 teaspoons ice cold water

1. To make pastry, assemble food processor with spindle and S-blade. Place flour and butter into bowl and secure lid. Process ingredients until mixture resembles a fine crumble. Add egg and water; process until mixture forms a ball. Do not over process. Add water gradually as you may not need it all.
2. Lightly knead dough by hand until smooth. Shape into a disc. Cover with plastic wrap and place in the fridge for 20 minutes to chill.
3. Preheat oven to 350°F/180°C no fan (325°F/160°C fan-forced). Lightly grease 11" (25cm x 3cm) loose base round tart pan.
4. Assemble food processor with spindle and variable slicer (set to 3–4) and secure lid. Place leeks one by one into small feed chute, white side down. Using small food pusher, thinly slice leeks.
5. Heat butter and oil in a large frying pan over medium heat. Add leeks and cook, stirring, for 5–7 minutes or softened.
Add thyme and cook, stirring, for an additional minute. Season with salt and pepper and set aside.
6. Roll dough between two sheets of baking paper large enough to line tin. Line pie tin with pastry; trim any excess. Using a fork press several holes around the middle of the pastry. Cover pastry with non-stick baking paper and fill with baking beads, uncooked rice or dried beans. Bake in oven for 15 minutes. Remove paper, beads, rice or beans. Bake for an additional 5 minutes.
7. Spread leeks evenly over base of pastry. Sprinkle with goats cheese and top with extra sprigs of thyme. Whisk together cream, eggs, salt and pepper; pour over leek mixture. Bake for 30 minutes or until set. Allow to cool for 30 minutes before serving.

Choc Chip, Pecan & Oat Cookies

🕒 Prep 15 minutes / Cook 12 minutes

🍴 Makes 28

1 stick (125g) butter, softened, chopped
½ cup (100g) bakers or superfine sugar
½ cup (100g) firmly packed brown sugar
1 egg
2 teaspoons vanilla extract
1½ cups (200g) all-purpose flour
2½ teaspoons baking powder
½ teaspoon salt
1 cup (190g) semi-sweet chocolate chips
½ cup (70g) pecan halves, roughly chopped
¼ cup (25g) oatmeal

1. Preheat oven to 350°F/180°C no fan (325°F/160°C fan-forced). Line 3 large baking trays with non-stick baking paper.
2. Assemble food processor with spindle and S-blade. Place butter, brown sugar, bakers sugar, egg and vanilla into bowl and secure lid. Process for 10 seconds or until mixture is smooth and combined. Sift flour, baking powder and salt into a bowl. Add to food processor bowl and secure lid. Pulse 8–10 times or until just combined. Add chocolate chips, nuts and oatmeal and secure lid. Pulse 5 times or until just combined.
3. Place heaped tablespoons of mixture, 1–1½in (3–4 cm) apart, on prepared trays. Bake for 10–12 minutes or until golden. Set aside on trays for 5 minutes to cool slightly. Use a spatula to transfer to a wire rack to cool completely.

Dark Chocolate Ganache

🕒 Prep 5 minutes / Cook 2 minutes

🍴 Makes 3 cups (790g)

21oz (600g) dark chocolate, roughly chopped
1¼ cup (300ml) heavy cream

1. Assemble food processor with spindle and S-blade, ensuring bowl and attachments are completely dry. Place chocolate into bowl and secure lid. Process for 20–30 seconds or until very finely chopped.
2. Place cream into a saucepan. Bring just to a boil over medium heat. Add chocolate and stir 10 seconds or until chocolate is melted and mixture is smooth and glossy. Transfer to a bowl. Set aside to cool slightly.



TIPS

- Use ganache straight away as a chocolate sauce or use a filling for a tart by pouring into a cupcake paper and then chill in the fridge until set.
- To use as an icing for cakes or cupcakes set ganache aside at room temperature for about 2–3 hours or until a spreadable consistency.
- To use to make truffles, place ganache into an airtight container and place in the fridge until thickened and firm. Roll tablespoons of mixture into balls then roll in cocoa, chocolate sprinkles, chopped nuts or shredded coconut.

Gluten Free Orange, Almond & Pistachio Cake

🕒 Prep 15 minutes / Cook 1 hour

🍴 Serves 10

2 oranges (about 395g), washed, scrubbed
4oz (125g) blanched almonds
4oz (125g) pistachio kernels, plus extra 1½ oz (45g) roughly chopped, to garnish
5 eggs
1½ cups (270g) bakers or superfine sugar
1 teaspoon gluten free baking powder
Powdered sugar, to garnish
Crème Fraiche or full fat plain Greek yogurt, to serve

1. Using a fork prick the oranges all over a few times. Place into a microwave safe dish. Microwave on HIGH for 8 minutes, turning halfway through. Set aside to cool completely. Cut oranges in quarters; remove and discard seeds.
2. Preheat oven to 350°F (180°C) no fan (300°F/150°C fan-forced). Grease and line the base and side of a round 9" (22cm) (base measurement) spring form pan with baking paper.
3. Assemble food processor with spindle and S-blade. Place almonds and pistachios into bowl and secure lid. Process for 50 seconds or until processed into meal. Transfer to a bowl. Add orange quarters (including skin) to food processor bowl. Process for 1 minute or until pureed, scraping sides of bowl down if necessary.
4. Using an electric mixer beat eggs and sugar until thickened. Use a large metal spoon to fold in orange pulp, pistachio meal and baking powder until combined. Spoon mixture into prepared pan. Bake for 50min-1 hour or until skewer inserted in the center comes out clean. (If top starts to overbrown, cover with foil). Set aside for 15 minutes to cool slightly. Remove from pan and transfer to a wire rack to cool completely.
5. Remove from pan. Dust with powdered sugar and garnish with extra pistachios. Serve with crème fraiche or yogurt.

Little Lime & Passionfruit Cheesecakes

🕒 Prep 15 minutes / Cook 20 minutes

🍴 Makes 22

9oz (250g) graham crackers, halved
1 stick (125g) butter, melted
¾ cup (140g) granulated sugar
8oz (250ml) sour cream
3 eggs
1 tablespoon lime rind
1 tablespoon lime juice
2 x 8oz (250g) packets cream cheese, chopped, softened at room temperature
¼ cup (60ml) passionfruit pulp (about 4 passionfruit)

1. Preheat oven to 325°F/160°C no fan (280°F/140°C fan-forced). Line 22 holes of two 12-hole, ¾ cup (80ml) capacity muffin or cupcake pans with paper or foil liners.
2. Assemble food processor with spindle and S-blade. Place crackers into bowl and secure lid. Process crackers until mixture resembles fine breadcrumbs. Add butter. Process until combined. Divide mixture between paper cases and press down with the back of a spoon. Place in the fridge for 15 minutes to chill.
3. Meanwhile, assemble clean and dry processing bowl with spindle and S-blade. Place sugar, sour cream, eggs, lime rind and juice into bowl and secure lid. Process for 15 seconds or until smooth. Add cream cheese and passionfruit pulp. Process for 30 seconds or until just combined. Pour mixture into prepared cases. Bake for 20-25 minutes or until just set. Cool in oven with door ajar. Cover and refrigerate for 2 hours or until well chilled.

the Sous Chef™ 12

Livret d'instructions - BFP660



Breville®



Table Des Matières

- 32 Breville vous recommande la sécurité avant tout
- 36 Composants
- 38 Assemblage
- 39 Fonctions
- 45 Guide de traitement des aliments
- 50 Entretien & nettoyage
- 51 Guide de dépannage
- 53 Recettes

IMPORTANTES MESURES DE SÉCURITÉ

Chez Breville, la sécurité occupe une place de choix. Nous concevons et fabriquons de consommation sans jamais perdre de vue la sécurité de notre précieuse clientèle. De plus, nous vous demandons d'être très vigilant lorsque vous utilisez un appareil électrique et de respecter les précautions suivantes:

BREVILLE VOUS RECOMMANDE LA SECURITE AVANT TOUT

- Lisez attentivement toutes les instructions avant de faire fonctionner l'appareil pour la première fois et conservez-les pour référence future.

- Les lames/disques sont tranchants. Manipulez-les avec soin.
- Retirez et jetez tout matériel d'emballage et étiquettes promotionnelles avant d'utiliser l'appareil pour la première fois.
- Afin d'éliminer les risques de suffocation chez les jeunes enfants, retirez et disposez de l'enveloppe protectrice recouvrant la fiche de l'appareil.
- Pour vous protéger contre les chocs électriques, ne plongez pas le cordon d'alimentation, la fiche ou le socle motorisé dans l'eau ou tout autre liquide.
- Ne placez pas l'appareil sur le bord d'un comptoir ou d'une table lorsqu'il est en marche. Assurez-vous que la surface de travail est de niveau, propre et sèche. La vibration causée par le fonctionnement du moteur peut faire bouger l'appareil.
- Ne placez pas l'appareil près d'un brûleur au gaz ou électrique ou là où il pourrait toucher une source de chaleur.
- Ne l'utilisez pas sur le plateau d'égouttement du lavabo.
- Assurez-vous que le robot culinaire est parfaitement assemblé avant de le faire fonctionner, sinon, il ne fonctionnera pas.
- Veillez à mettre le robot ménager hors tension en appuyant sur la touche MARCHE/ARRÊT et à débrancher l'appareil avant d'y assembler la lame, les disques et le couvercle.
- Manipulez le robot culinaire et les accessoires avec soin. Les lames/disques sont extrêmement tranchants et doivent demeurer inaccessibles aux enfants.
- Afin de réduire le risque de blessures, verrouillez toujours le bol du robot sur le socle motorisé avant d'assembler les lames ou les disques.
- Ne laissez pas le cordon d'alimentation pendre d'un comptoir ou d'une table, toucher des surfaces chaudes ou se nouer. Déroulez-le complètement avant l'usage.
- Afin de prévenir le risque de blessure corporelle importante ou de dommage à l'appareil, gardez les mains, les spatules ou tout autre ustensile loin des lames/disques durant le fonctionnement. L'utilisation d'une spatule de plastique est conseillée, mais uniquement lorsque le moteur est arrêté.
- Assurez-vous d'avoir éteint l'appareil en pressant la touche MARCHE/ARRÊT et l'avoir débranché de la prise murale avant de retirer le couvercle du bol.
- Évitez tout contact avec les pièces en mouvement de l'appareil. Ne poussez jamais les aliments avec vos mains lors du tranchage ou du déchiquetage des aliments. Utilisez toujours le poussoir fourni.
- Assurez-vous que le moteur est complètement arrêté avant de retirer le couvercle
- Assurez-vous que le couvercle et le tube d'alimentation sont bien verrouillés avant de faire fonctionner le robot culinaire.
- Ne tentez jamais de contourner ou de modifier le mécanisme de verrouillage du couvercle.
- Débranchez toujours l'appareil s'il n'est pas en usage ou avant de tenter de le déplacer, avant de le nettoyer, le démonter, l'assembler ou le ranger.
- Certains mélanges plus coriaces, comme la pâte, peuvent ralentir la vitesse de rotation de la lame ou des disques. Dans ce cas, ne traitez pas les aliments plus d'une minute.

- Ne traitez pas de liquides chauds ou bouillants; laissez-les refroidir avant de les mettre dans le récipient du robot.
- Ne déplacez pas l'appareil lorsqu'il est en marche.
- Ne mettez aucune pièce du robot dans le micro-ondes.
- Ne remplissez pas le bol au-delà de la marque MAX. Incorporez toujours les aliments secs ou plus épais en premier avant d'ajouter les liquides.
- Ne retirez jamais le couvercle quand l'appareil fonctionne. Utilisez les touches MARCHE/ARRÊT ou PAUSE pour arrêter le moteur avant de retirer le couvercle.
- Soyez prudent lorsque vous retirez les aliments du bol. Assurez-vous d'abord que le moteur et les lames/disques sont complètement immobilisés. Avant de retirer le couvercle, assurez-vous d'avoir éteint l'appareil en pressant la touche MARCHE/ARRÊT et l'avoir débranché de la prise murale. Le bol doit être déverrouillé du socle motorisé et les lames/disques, retirés délicatement avant de tenter d'extraire les aliments traités.
- N'utilisez pas de détergents abrasifs, de produits caustiques ou de nettoyeurs pour le four pour nettoyer l'appareil.
- Respectez à la lettre les consignes d'entretien et de nettoyage décrites dans ce manuel
- Cet appareil est conçu pour un usage domestique seulement. Ne l'utilisez pas à d'autres fins que celles prévues. Ne l'utilisez pas à l'extérieur ou dans un véhicule ou un bateau en mouvement.
- L'usage d'accessoires non vendus ou recommandés par Breville peut causer des risques d'incendie, de choc électrique ou de blessure.
- Ne laissez pas l'appareil sans surveillance lorsqu'il est en marche.
- Veillez à ce que le moteur et les lames/disque soient complètement immobilisés avant de les retirer. Assurez-vous d'avoir éteint l'appareil en pressant la touche MARCHE/ARRÊT et l'avoir débranché de la prise murale s'il n'est pas utilisé, s'il est laissé sans surveillance ou avant de l'assembler, le nettoyer ou le ranger.

IMPORTANTES MESURES DE SÉCURITÉ POUR TOUT APPAREIL ÉLECTRIQUE

- Cet appareil n'est pas conçu pour être utilisé sans surveillance par de jeunes enfants ou des personnes handicapées. Surveillez les enfants pour qu'ils ne jouent pas avec l'appareil.
- Vérifiez régulièrement si le cordon d'alimentation, la fiche ou l'appareil lui-même sont endommagés. Cessez immédiatement l'usage et visitez www.Breville.com ou appelez le Service aux consommateurs de Breville pour le faire examiner, réparer ou ajuster.
- Pour tout entretien autre que le nettoyage, visitez www.Breville.com ou appelez le Service aux consommateurs de Breville.
- Cet appareil est muni d'une fiche polarisée (une lame est plus large que l'autre). Pour réduire le risque de décharge électrique, cette fiche s'insère d'une seule façon dans une prise polarisée. Si la fiche n'entre pas complètement dans la prise, inversez-la. Si elle ne rentre toujours pas, contactez un électricien qualifié. Ne modifiez la fiche d'aucune façon.

FICHE ASSIST^{MC} DE BREVILLE

Votre appareil Breville est muni d'une fiche exclusive Assist^{MC} conçue de façon à laisser passer un doigt pour un retrait facile et sécuritaire de la fiche. Par mesure de sécurité, il est recommandé de brancher l'appareil dans une prise individuelle sur un circuit indépendant séparé des autres appareils. Une surcharge électrique peut altérer le bon fonctionnement de l'appareil. Il est déconseillé d'utiliser une barre d'alimentation ou une rallonge.

COURT CORDON D'ALIMENTATION

Votre appareil Breville est muni d'un cordon d'alimentation relativement court et très sécuritaire qui réduit le risque de blessures corporelles ou dommages pouvant être causés par le fait de tirer, trébucher ou s'enchevêtrer dans un cordon plus long. Ne laissez pas les enfants utiliser ou être à proximité de l'appareil sans surveillance. Les cordons d'alimentation détachables plus longs ou les rallonges ne sont pas recommandés, mais peuvent être utilisés avec prudence. Si vous utilisez une rallonge: (1) sa puissance nominale doit être au moins équivalente ou supérieure à la puissance nominale de l'appareil; (2) la corde ne doit pas pendre d'un comptoir ou d'une table où de jeunes enfants pourraient s'y suspendre ou trébucher.

USAGE DOMESTIQUE SEULEMENT SAUVEGARDEZ CES INSTRUCTIONS

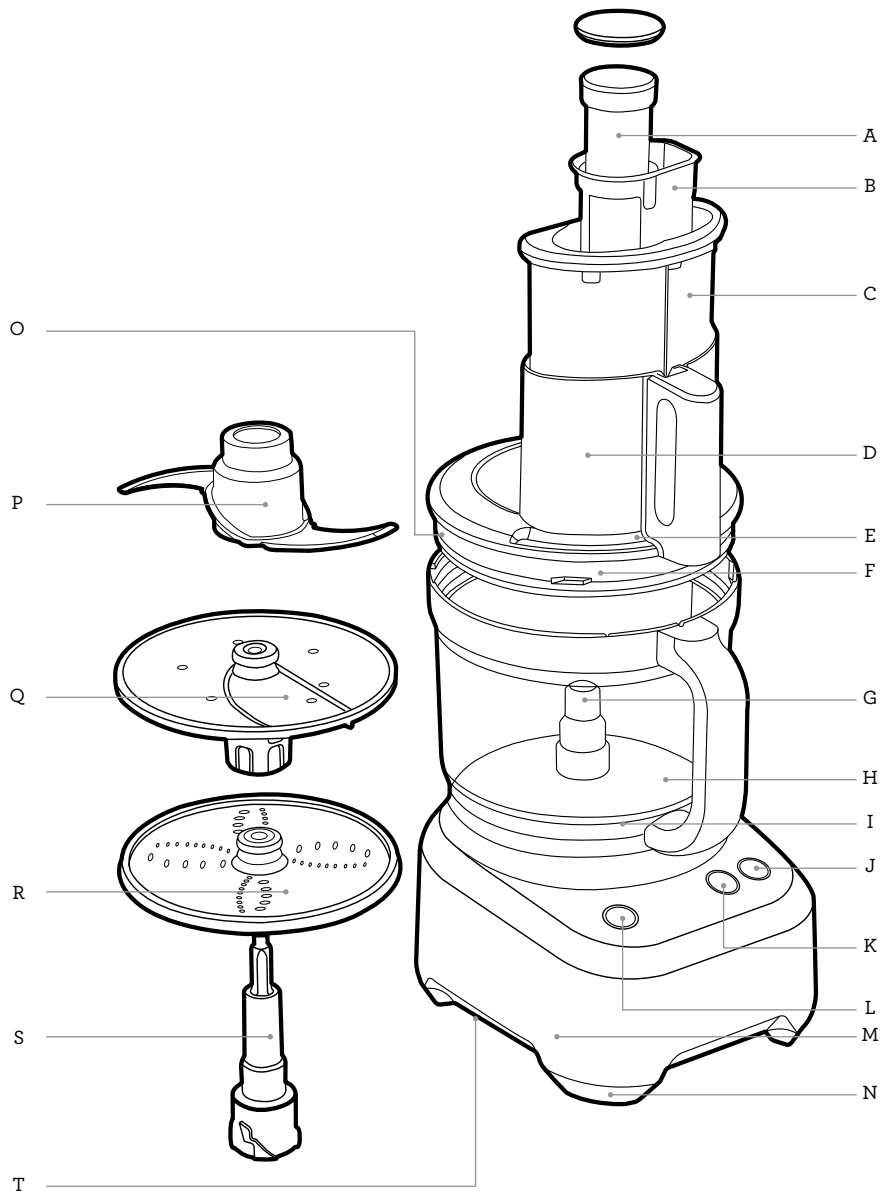
SPÉCIFICATIONS

Puissance nominale	120V~ 60Hz 7.5A
Dimensions extérieures	440mm (H) avec bol 195mm (L) 280mm (P)
Poids net	Environ 7,5 kg

Ces spécifications peuvent changer sans avis.



Composants



A. Petit poussoir

Se retire pour traiter les aliments de petite taille avec un contrôle accru. Peut aussi servir de tasse à mesurer. À noter que le robot continuera de fonctionner, que le petit poussoir soit en place ou non.

B. Moyen poussoir

Le robot culinaire continuera de fonctionner, que le moyen poussoir soit en place ou non.

C. Gros poussoir

À noter que le robot culinaire ne démarrera pas si le gros poussoir n'est pas inséré correctement, car il enclenche le système de verrouillage de sécurité.

D. Large tube d'alimentation

13 cm (5 po) de largeur, pour les gros aliments.

E. Système de verrouillage de sécurité

Empêche le moteur de tourner si le bol et le couvercle ne sont pas verrouillés et si le gros poussoir n'est pas inséré dans le tube.

F. Couvercle du bol de transformation

Se verrouille sur le bol et fait partie intégrante du système de verrouillage de sécurité.

G. Couplage du bol de transformation

Connecteur du moteur en inox fritté avec amortisseur de vibration.

H. Bols de transformation

Bol de 12 tasses pour les ingrédients secs et bol de 8 tasses pour les ingrédients liquides plus épais (comme les soupes). Le bol se verrouille sur le socle motorisé en le tournant en sens horaire.

I. Système de freinage de sécurité

Immobilise rapidement la lame en S si le couvercle s'est ouvert par mégarde.

J. Bouton PULSER

Presser et relâcher pour de brèves impulsions.

K. Touche DÉMARRER | PAUSE

Après avoir activé la touche MARCHÉ, cette touche démarre le moteur et l'arrête.

L. Touche MARCHÉ | ARRÊT

Alimente le robot en mode de fonctionnement.

M. Moteur à entraînement direct

Moteur à induction à couple élevé, pour des résultats fiables.

N. Pieds caoutchoutés antidérapants

O. Joint de silicone

Ce joint remplaçable réduit le risque de débordement lorsque le volume d'ingrédients liquides est élevé.

P. Lame en S microdentelée S-Blade^{MC}

Hache, mélange, fouette et traite rapidement une variété d'ingrédients.

Q. Disque déchiqueteur/râpe réversible -fin ou grossier

R. Disque éminceur réglable - 0,3 - 8,0mm d'épaisseur

S. Tige de rotation

Utiliser avec les disques et la lame.

T. Rangement du cordon

Le cordon s'insère dans le boîtier, selon la longueur désirée.



Assemblage

AVANT LA PREMIÈRE UTILISATION

- Avant d'utiliser votre robot culinaire pour la première fois, retirez tout matériel d'emballage et étiquettes promotionnelles. Assurez-vous d'avoir éteint l'appareil en pressant la touche MARCHE/ARRÊT et l'avoir débranché de la prise murale.
- Soyez prudent lorsque vous manipulez les lame/disques, car ils sont extrêmement tranchants.
- Lavez le bol de transformation, le couvercle et les accessoires à l'eau chaude savonneuse, à l'aide d'un chiffon doux. Rincez et séchez correctement. Les accessoires peuvent être lavés au lave-vaisselle.
- Lors de la première utilisation de votre robot culinaire, vous pourriez remarquer qu'une faible odeur se dégage du moteur. Cela est normal et se résorbera à l'usage.
- Utilisez toujours le robot culinaire sur une surface sèche et de niveau.

ASSEMBLAGE

1. Placez le bol de transformation sur le socle motorisé, en alignant la poignée sur l'inscription ALIGN HANDLE inscrite sur socle motorisé.



2. Tournez le bol en sens horaire jusqu'à ce que la poignée s'enclenche. Le bol se verrouillera en place. Le robot culinaire ne fonctionnera pas si le bol n'est pas bien sécurisé et verrouillé en place.



3. La tige de rotation est requise lors de l'utilisation de TOUS les disques et lame. Le défaut d'utiliser cette tige pourrait endommager les pièces et les entremêler.



4. Avant de placer le couvercle sur le bol de transformation, centrez la tige de rotation dans le bol. Installez ensuite la lame ou le disque sur la tige. Le lame descend plus bas que les disques.



5. Placez le couvercle sur le bol de transformation pour que l'indication ALINGN | LOCK (aligner | verrouiller) sur le couvercle soit alignée avec la poignée. Pour VERROUILLER le couvercle, maintenez le tube d'alimentation et tournez-le en sens horaire pour que les poignées soient alignées. Cela enclenchera le système de verrouillage de sécurité et permettra au moteur de fonctionner.



Fonctions

FONCTIONNEMENT

- Le robot culinaire ne fonctionnera pas si le bol, le couvercle et le gros poussoir ne sont pas assemblés correctement. Cela enclenche le système de verrouillage de sécurité et permet au moteur de fonctionner.
- La touche MARCHE | ARRÊT s'allume en rouge lorsque l'appareil est branché et prêt à fonctionner.
- La touche DÉMARRER | PAUSE permet au moteur de fonctionner continuellement jusqu'à ce qu'elle soit enfoncée de nouveau. Si le couvercle, le bol ou le gros poussoir sont retirés pendant que le moteur fonctionne, la touche clignotera. Lorsque le couvercle, le bol ou le gros poussoir seront réassemblés et que le système de verrouillage de sécurité sera réactivé, le voyant cessera de clignoter et restera allumé.

- La touche PULSER est idéale pour traiter les aliments qui nécessitent de brefs jets de puissance. Elle favorise aussi une bonne circulation des aliments dans le bol. La fonction PULSER convient parfaitement aux aliments qui requièrent un traitement de courte durée.
- Pour un meilleur contrôle de transformation des aliments, utilisez en alternance les touches DÉMARRER | PAUSE et PULSER.
- Le niveau maximal indiqué (MAX CHUTE FILL) représente le volume maximal d'aliments pouvant être insérés dans le tube pour que le poussoir active le loquet de verrouillage de sécurité.
- Une fois le traitement terminé, attendez que les lame/disques soient immobilisés avant de déverrouiller le couvercle. Pour plus de sécurité, éteignez l'appareil en appuyant sur la touche MARCHE | ARRÊT et débranchez l'appareil avant de manipuler les lames.
- Pour retirer les lames/disques, soulevez-les soigneusement en maintenant le moyeu central en plastique.

SYSTÈME DE PROTECTION DE SURCHARGE

- Le robot culinaire est muni d'un système de protection de surcharge qui empêche d'endommager le moteur. Si le système est activé, l'appareil passera en mode VEILLE et les touches clignoteront.
- Débranchez alors l'appareil et laissez-le refroidir environ 30 minutes. Une fois refroidi, il sera prêt à être réutilisé normalement.
- Il est à noter que certains mélanges (comme la pâte à pain) peuvent ralentir la rotation normale de la lame. Dans un tel cas, ne traitez pas les ingrédients plus d'une minute.
- Si les lame/disques se bloquent durant le traitement, débranchez immédiatement l'appareil et dégagez les aliments coincés. Si cela se produit plus d'une fois, il se peut que la quantité d'aliments soit excédentaire. Essayez de traiter de plus petites portions à la fois.

HACHER AVEC LA LAME MICRO-DENTELÉE S-BLADE^{MC}

La lame en S microdentelée hache les aliments crus ou cuits à la consistance requise, de fine à grossière. Les lames sont très efficaces pour traiter de lourdes charges en un temps plus court que prévu.

Souvenez-vous de toujours placer la tige de rotation et la lame en S dans le bol avant d'y ajouter les aliments.

Évitez les traitements excessifs et vérifiez fréquemment la consistance du mélange. Dans la plupart des cas, nous recommandons d'utiliser la fonction IMPULSION qui ne prend que quelques secondes pour transformer les aliments en une consistance désirée.

Si nécessaire, éteignez l'appareil (MARCHE | ARRÊT) et utilisez une spatule pour racler les parois du bol et assurer une transformation homogène.

Viandes, légumes et fruits cuits

Parez et coupez les aliments en cubes de 2,5 cm (1 po). N'en transformez pas plus de 6 tasses à la fois, en utilisant la touche PULSER à intervalles de 1-2 secondes jusqu'à consistance désirée.

Viandes, poulet et poisson crus

Retirez l'excès de gras et coupez les aliments en cubes de 2,5 cm (1 po). Assurez-vous que tous les os sont enlevés. Mettez-les au congélateur jusqu'à ce qu'ils soient fermes, ils seront plus faciles à couper. Ne traitez pas plus de 1 kg (2¼ lb) de viande crue à la fois. Avec une telle quantité, le moteur ne devrait pas fonctionner plus de 30 secondes à la fois. Utilisez en alternance les touches DÉMARRER | PAUSE et PULSER jusqu'à consistance désirée.

Ail, piment ou gingembre

Pelez les gousses d'ail et les garder entières. Laissez les piments entiers ou égrenez-les si vous désirez un goût moins piquant. Pelez et coupez le gingembre en cubes de 2,5 cm (1 po).

Pour d'autres herbes solides comme la citronnelle ou le galangal, pelez-les et coupez-les en morceaux de 2-3 cm (½-1 po). Les herbes plus denses ou coriaces doivent être coupées en plus petits morceaux.

Transformer en utilisant le réglage PULSER à 1-2 secondes d'intervalles jusqu'à consistance désirée.

Arroser les herbes de quelques gouttes d'huile végétale et mettez-les dans un contenant hermétique. Elles se garderont jusqu'à 1 semaine au réfrigérateur.

Si vous ajoutez de l'ail, des piments ou du gingembre aux autres ingrédients, insérez-les entiers dans le petit tube pendant que le moteur tourne.

Herbes à feuilles

Lavez et séchez correctement les herbes. Retirez les tiges coriaces. Ne hachez pas plus de 2 bouquets (4 tasses) à la fois, en utilisant la touche PULSER à intervalles de 1-2 secondes jusqu'à consistance désirée.

Pour rehausser vos recettes du parfum des herbes, utilisez-les sans délai.

Noix

Ne transformez pas plus de 4½ tasses de noix écalées à la fois, en utilisant la touche PULSER à intervalles de 1-2 secondes jusqu'à consistance désirée.

Fruits séchés

Les fruits séchés sont souvent collants et peuvent adhérer aux lames. Nous recommandons de les mettre au congélateur environ 10 minutes avant de les transformer. Ne transformez pas plus de 2 tasses à la fois, en utilisant la touche PULSER à intervalles de 1-2 secondes jusqu'à consistance désirée.

Si vous hachez des fruits pour les incorporer à un mélange à gâteau, transformez-les avant de les incorporer au gâteau. Enrobez-les de farine (à même la quantité de farine de la recette), cela les empêchera de coller à la lame en S.

Nous ne recommandons pas de hacher de larges fruits séchés comme les dattes ou les figues.

Chapelure molle

Brisez des morceaux de pain rassis (le pain frais collera aux lames). Ne transformez pas plus de 4-6 tranches à la fois, en utilisant la touche IMPULSION à intervalles de 1-2 secondes jusqu'à consistance désirée. Pour de meilleurs résultats, ajoutez une tranche à la fois.

Chapelure sèche

Brisez le pain en morceaux et faites-le griller au four jusqu'à ce qu'ils soit doré et croustillant (ne pas trop les griller). Ne transformez pas plus de 4-6 tranches à la fois en utilisant la touche IMPULSION à intervalles de 1-2 secondes jusqu'à consistance désirée.

Chapelure de biscuits

Brisez en quartiers un maximum de 250 g (8 oz) de biscuits. Transformez en utilisant la touche IMPULSION à intervalles de 1-2 secondes jusqu'à consistance désirée. La chapelure de biscuits peut être utilisée comme alternative en pâtisserie, pour préparer des tartes sucrées ou salées.

Ne traitez pas de biscuits trop durs, car ils pourraient abîmer les lames.

RÉDUIRE EN PURÉE AVEC LA LAME MICRODENTELÉE S-BLADE^{MC}

- La lame en S réduit en purée les aliments crus ou cuits pour obtenir la consistance désirée, incluant les aliments pour bébés. La lame est très efficace pour réduire en purée plusieurs mélanges en un temps réduit.
- Souvenez-vous de placer la lame en S dans le bol de transformation avant d'ajouter les aliments.
- Après avoir réduit les aliments en purée, retirez délicatement la lame S-Blade^{MC} et utilisez une spatule pour racler les parois du bol si des aliments adhèrent à la lame et au bol.

Aliments pour bébé

Parez et coupez les légumes et la viande en cubes de 2,5 cm (1 po). Cuire les aliments avant de les transformer. Ne transformez pas plus de 6 tasses à la fois, en utilisant la touche DÉMARRER | PAUSE par intervalles jusqu'à consistance lisse et homogène. Si le mélange est trop épais, ajoutez un peu de bouillon, de lait ou de jus de cuisson par le petit tube d'alimentation.

Congelez, si désiré, les aliments pour bébé dans un moule à glaçons et mettez-les en une seule couche dans un sac à congélation.

Beurre d'arachides

Ne transformez pas plus de 4½ tasses d'arachides écalées à la fois, en utilisant la touche DÉMARRER | PAUSE jusqu'à consistance désirée.

Les arachides réduisent de volume après avoir été transformés. Par exemple, 2 tasses d'arachides donneront environ 1 tasse de beurre d'arachides.

Le beurre d'arachides (sans stabilisant) se sépare, une fois traité. Il faut le remuer avant de le consommer.

MÉLANGER AVEC LA LAME MICRODENTELÉE S-BLADE^{MC}

- La lame en S mélange les ingrédients pour préparer les gâteaux et les pâtes à crêpe et à biscuits.
- La lame en S peut aussi émulsionner des sauces à base d'œufs comme la mayonnaise.
- Souvenez-vous de toujours mettre la tige de rotation et la lame en S dans le bol de transformation avant d'ajouter les aliments.

Gâteau au beurre et pâte à biscuits

Placez le beurre coupé en cubes et ramolli et le sucre dans le bol de transformation. transformez en utilisant la touche DÉMARRER | PAUSE jusqu'à consistance

légèrement crémeuse. Pendant que le moteur tourne, ajouter les œufs, un à la fois, en mélangeant bien après chaque addition. Enlevez le couvercle et ajoutez le liquide et les ingrédients secs. Transformez en utilisant la touche PULSER jusqu'à consistance homogène. Raclez les parois du bol, si nécessaire. Ne pas trop mélanger.

Ajoutez les brisures de chocolat, noix, fruits séchés, etc. une fois le mélange terminé. Utilisez la touche PULSER en petits jets de puissance jusqu'à ce que tous les ingrédients soient combinés. Ne pas trop mélanger, car les plus gros ingrédients se déferont rapidement.

Mélanges à gâteaux et pâte à crêpe

Placez tous les ingrédients dans un bol, en commençant par les liquides, en prenant soin de ne pas excéder le niveau de liquide MAX. Transformez en utilisant la touche PULSER jusqu'à consistance homogène. Raclez les parois du bol, si nécessaire. Ne pas trop mélanger.

Cette méthode peut être utilisée pour les gâteaux melt 'n' mix, les mélanges à gâteau en sachet ou les pâtes à crêpe.

PÉTRIR AVEC LA LAME MICRODENTELÉE S-BLADE^{MC}

Souvenez-vous de toujours mettre la tige e rotation et la lame en S dans le bol de transformation avant d'ajouter les aliments.

Pâte à tarte

Placez la farine et les cubes de beurre froid dans le bol de transformation. Ne traitez pas plus de 2 tasses (300 g) de farine, en utilisant la touche DÉMARRER | PAUSE à intervalles jusqu'à ce que beurre soit absorbé par la farine.

Pendant que le moteur tourne, versez le liquide en continu par le petit tube d'alimentation. Transformez jusqu'à la formation d'une boule.

Pâte à pain ou à pizza

Placez la farine et les ingrédients secs dans le bol de transformation avec la levure sèche instantanée. Ne transformez plus de 5 tasses (700 g) à la fois, en utilisant la touche DÉMARRER | PAUSE par intervalles.

Pendant que le moteur tourne, versez le liquide en continu (incluant l'huile, selon le cas) par le petit tube d'alimentation. Transformez jusqu'à la formation d'une boule de pâte élastique.

Transférez la pâte sur une surface légèrement farinée et pétrissez encore 5 minutes, si nécessaire, jusqu'à ce qu'elle soit souple et malléable.

Si vous préparez plus de deux recettes de pâte (700 g de farine), laissez le moteur refroidir assez longtemps avant de reprendre l'opération.

Placez la pâte dans un grand bol graissé, couvrez et gardez dans un endroit chaud jusqu'à ce qu'elle ait doublé de volume. Transférez la pâte sur une surface légèrement farinée et pétrissez encore jusqu'à consistance souple et élastique. Façonnez la pâte et laissez-la lever dans un endroit chaud avant de la cuire au four.

TRANCHER, RÂPER ET DÉCHIQUETER

Important

La tige de rotation doit être utilisée tant pour le disque éminceur réglable que pour le disque déchiqueteur/râpe réversible.

Disque éminceur réglable

Ce disque fait des tranches égales et uniformes et possède 24 réglages, de très fin (0,3 mm) à épais (8,0 mm). Pour ajuster l'épaisseur des tranches, tenez le rebord du disque d'une main et tournez le cadran d'ajustement sur l'autre côté avec l'autre main. Une flèche indique l'épaisseur de tranche désirée.

Disque déchiqueteur/râpe réversible

Ce disque est muni de petites lames de chaque côté. Pour une texture plus grossière, orientez le côté du disque avec les gros trous vers le haut, et pour une texture plus fine, orientez le côté avec plus petits trous vers le haut. Les disques sont identifiés pour montrer le côté orienté vers le haut.

CONTRÔLE DES INGRÉDIENTS

Contrôle des ingrédients
Il est important de bien positionner les aliments dans le tube d'alimentation afin de maximiser le contrôle et les résultats.

Ingrédients plus petits

Pour les aliments longs et minces comme les carottes, les concombres, les zuchinis, etc., utilisez le petit tube d'alimentation. Cela les empêchera de culbuter durant le tranchage.

Ingrédients plus gros

Le plus gros tube d'alimentation a une largeur de 13 cm (5 po) et peut recevoir des aliments de même largeur ou moins. Les aliments peuvent être entassés dans le tube, sur toute la largeur, pour rester à la verticale sans toutefois être trop serrés pour ne pouvoir descendre dans le tube.

Tube d'alimentation moyen

Utilisez le tube moyen pour traiter les aliments de mi-format. Sa largeur de 7 cm (2¾ po) peut recevoir des aliments de cette largeur ou moins. Les aliments peuvent être entassés dans le tube, sur toute la largeur, pour rester à la verticale sans toutefois être trop serrés pour ne pouvoir descendre dans le tube.

Ne surchargez pas le tube d'alimentation, car le poussoir ne pourra activer le loquet du système de verrouillage. N'excédez pas le niveau maximal indiqué (MAX CHUTE FILL).

Pression

Durant la transformation, n'appliquez pas trop de pression sur les aliments, car cela pourrait endommager les disques.

Appliquez une légère pression pour les aliments plus tendres comme les tomates ou les bananes.

Appliquez une pression moyenne pour les aliments plus fermes comme les pommes de terre ou les pommes.

Appliquez une pression plus ferme pour les aliments durs comme le fromage parmesan ou les viandes de charcuterie comme le salami.

Fruits et légumes ronds

Lavez et pelez les fruits avant de les transformer, si nécessaire.

Pour les fruits et légumes plus petits, coupez une tranche sur le dessous pour qu'ils reposent à plat dans le tube.

Pour les fruits et légumes plus gros, coupez-les en deux pour qu'ils conviennent au tube. Empilez-les dans le tube de gauche à droite.

Fruits et légumes allongés

Lavez et pelez les légumes avant de les transformer, si nécessaire.

Coupez-les transversalement pour obtenir des rondelles. Utilisez le petit ou le moyen tube d'alimentation, ou entassez-les à la verticale dans le grand tube.

Coupez-les sur la longueur pour obtenir des juliennes. Utilisez le grand tube d'alimentation et coupez une tranche sur le dessous pour qu'ils reposent à plat dans le tube lorsque le disque commence à tourner. Empilez-les à l'horizontale dans le grand tube.

Légumes feuillus

Coupez le chou en quartiers pour qu'il puisse s'insérer dans le tube d'alimentation. Pour la laitue, séparez les feuilles, enroulez-les et entassez-les à la verticale dans le tube.

Fromag

Soyez prudent lorsque vous transformez les fromages dans le robot culinaire. Les fromages à pâte molle comme la mozzarella doivent être mi-congelés pour être fermes, sans quoi ils obstrueront les disques.

Pour les fromages ronds, comme la mozzarella, coupez une tranche sur le dessous pour qu'ils reposent à plat dans le tube lorsque le disque commence à tourner.

Pour les fromages fermes, comme le parmesan, vérifiez au préalable leur dureté (pour ne pas endommager les lames). Enlevez la croûte ferme avant les transformer. Le fromage devrait se couper facilement au couteau.

Les fromages de forme triangulaire peuvent être placés côte à côte pour former un rectangle dans le tube.

Viandes de charcuterie

Coupez la viande en longueurs pour convenir à la hauteur du tube. Les longueurs ne doivent pas excéder le niveau maximal indiqué (MAX CHUTE FILL) de 13 cm (5 po). Entassez-les avec le côté coupé vers le bas. Pour les viandes plus coriaces, comme le salami ou le pepperoni, coupez une rondelle sur le dessous et traitez-les un à la fois en utilisant le petit ou le moyen tube, selon la grosseur.

Chocolat

Brisez le chocolat en petits morceaux et réfrigérez pour qu'il soit ferme. Empilez dans le petit tube et déchiquetez.



Guide De Traitement Des Aliments

Pour plus d'informations sur la préparation et la transformation des aliments, consultez les techniques de transformation de base. Pour des recettes spécifiques, voir la section Recettes.

ALIMENTS	TYPE DE LAME	DISQUE ÉMINCEUR RÉGLAGE D'ÉPAISSEUR	TYPE DE DISQUE RECOMMANDÉ
Aubergine	Lame en S Usage: Accompagnement, soupes	2-5 Usage: aubergine grillée	
Avocat	Lame en S Usage: guacamole		
Betteraves (cuites)	Lame en S Use Butternut Squash soup	2-5	Déchiqueteur Usage: salade
Carottes	Lame en S Usage: soupe de légumes	0-5	Déchiqueteur Usage: salade
Céleri	Lame en S Usage: soupe de légumes	Mince 1-2, moyen 2-3 Usage: salade	
Chou/Laitue		Mince 1-2, moyen 2-3 Usage: accompagnement	Déchiqueteur Usage: salade
Chou-fleur (cuit)	Lame en S Usage: Soupe de chou-fleur		
Courge musquée (cuite)	Lame en S Usage: soupe de courge musquée		
Fines herbes	Lame en S Usage: assaisonnement ou pesto		
Oignon	Lame en S Usage: soupes, sauces	0-5 Usage: salade	
Poireau	Lame en S Usage: cuits pour la soupe	2--5 Usage: soupe aux légumes	
Pommes de terre		0,5 - 6 Usage: gratin de pommes de terre	Déchiqueteur Usage: pommes de terre rissolées

ALIMENTS	TYPE DE LAME	DISQUE ÉMINCEUR RÉGLAGE D'ÉPAISSEUR	TYPE DE DISQUE RECOMMANDÉ
Pommes de terre (cuite)	Lame en S Usage: purée		
Tomates	Lame en S Usage: salsa	2--5 Usage: sandwich, relish, salade caprese	
Chapeleure	Lame en S Usage: panure, farce		
Chocolat	Lame en S Usage: ganache au chocolat		Déchiqueteur - fin ou grossier Usage: garnir desserts
Œufs (entier ou jaunes)	Lame en S Usage: mayonnaise		
Fromage		2--5 Usage: garniture, sandwichs	Déchiqueteur - fin ou grossier Usage: râpé pour pizza
Fruits séchés	Lame en S Usage: Saldes de fruits, sauce à dessert		
Pâtes à crêpe	Lame en S Usage: Gâteaux, crêpes, gaufres		
Pâtes fraîches	Lame en S		
Pommes / Poires	Lame en S Usage: compote de pommes	2--5 Usage: tarte aux pommes	
Pommes / Poires (cuites)	Lame en S Usage: aliments pour bébé	4--6 Usage: salade de fruits	
Viande (charcuterie)	Lame en S	1--6 Usage: sandwichs, entrées, garniture à pizza	
Viande (crue)	Lame en S Usage: pain de viande, burgers, boulettes		
Viande (cuite)	Lame en S Usage: garniture à sandwich, pâte, aliments pour bébé		



Entretien & Nettoyage

Par mesure de sécurité, débranchez l'appareil après chaque usage.

Bol et couvercle de transformation

Afin de garder le bol et le couvercle propre et d'éviter l'accumulation de résidus alimentaires, veuillez respecter les étapes suivantes immédiatement après chaque usage:

- Rincez le bol et le couvercle pour enlever les résidus d'ingrédients.
- Lavez-les à la main à l'eau chaude savonneuse avec un détergent doux et une éponge non abrasive.

Socle motorisé

Pour nettoyer le socle motorisé, essayez-le avec un chiffon doux et humide et séchez-le correctement. Essayez le cordon d'alimentation pour enlever toutes particules d'aliments.

Agents de nettoyage

N'utilisez pas de tampons à récurer ou nettoyants abrasifs sur le socle motorisé ou le bol, car ils pourraient en égratigner la surface. Utilisez uniquement de l'eau chaude et un chiffon doux.

Lave-vaisselle

Le bol et le couvercle peuvent être occasionnellement passés au lave-vaisselle (étagère du dessus uniquement), cependant le lave-vaisselle n'est pas recommandé pour une utilisation régulière. Une exposition prolongée aux détergents, eau chaude et pression peuvent endommager et raccourcir la durée de vie du plastique et des composants.

Odeurs et taches tenaces

Les aliments comme l'ail, le poisson et certains légumes comme les carottes peuvent laisser une odeur désagréable ou tacher le bol ou le couvercle. Pour vous en débarrasser, faites d'abord tremper ces pièces dans l'eau chaude. Puis lavez-les à l'eau chaude avec un détergent doux, bien rincer et sécher soigneusement. Rangez le bol avec le couvercle en place.

Rangement

Pour le rangement, placez le gros, le moyen et le petit pousoir insérés l'un dans l'autre dans le tube d'alimentation.

Rangez le robot culinaire à la verticale avec le bol et le couvercle en place mais non verrouillés, car autrement ils exerceraient une pression indue sur le système de verrouillage de sécurité.

Tous les accessoires doivent être rangés dans un endroit sécuritaire et loin de la portée des enfants, pour éviter qu'ils se coupent accidentellement. Il est déconseillé de ranger les disques dans le tiroir à ustensiles.

Nous vous recommandons de ranger la lame en S dans le bol, avec le disque à déchiqeter sur le dessus. Ces lame/disques sont extrêmement tranchants et seront protégés dans le bol.

Laissez le dessus du robot culinaire libre durant le rangement.



Guide De Dépannage

PROBLÈME	SOLUTION FACILE
Les aliments ne sont pas transformés uniformément	<ul style="list-style-type: none"> Coupez les ingrédients en morceaux égaux de 2,5 cm (1 po) avant de les transformer. Transformez les ingrédients en portions pour éviter la surcharge.
Les tranches sont coupées en biseau ou inégale	<ul style="list-style-type: none"> Coupez les aliments uniformément avant de les mettre dans le tube. Appliquez une pression uniforme sur le poussoir.
Les aliments débordent du tube d'alimentation	<ul style="list-style-type: none"> Entassez bien les aliments dans le gros entonnoir, pour obtenir de meilleurs résultats. Si vous transformez de petites quantités, placez les aliments à l'extrême gauche du tube d'alimentation ou utilisez le petit ou le moyen tube, selon les besoins.
Certains aliments restent sur le disque après la transformation	<ul style="list-style-type: none"> Il est normal que des résidus d'aliments restent sur le disque après la transformation.
Le moteur ralentit lors du pétrissage de la pâte	<ul style="list-style-type: none"> Il se peut que la quantité de pâte excède la capacité maximale. Retirez-en la moitié et traitez-la en deux portions. La pâte est peut-être trop humide (voir ci-dessous). Si le moteur accélère, poursuivez le traitement. Sinon, ajoutez un peu de farine, 1 c. à soupe à la fois, jusqu'à ce que le moteur réaccélère. Poursuivez jusqu'à ce que la pâte nettoie les parois du bol.
La pâte ne nettoie pas les parois du bol	<ul style="list-style-type: none"> La quantité de pâte pourrait excéder la capacité maximale du robot culinaire. Retirez-en la moitié et traitez-la en deux portions. La pâte est peut-être trop sèche (voir ci-dessous).
La pâte reste dure après le pétrissage	<ul style="list-style-type: none"> Divisez la pâte en 2 ou 3 portions que vous distribuerez également dans le bol du robot. Pétrissez environ 10 secondes ou jusqu'à ce qu'elle soit lisse et souple.
La pâte est trop sèche	<ul style="list-style-type: none"> Pendant que le moteur tourne, ajoutez un peu de farine par le petit tube, 1 c. à soupe à la fois, jusqu'à ce que la pâte nettoie les parois du bol.
La pâte est trop humide	<ul style="list-style-type: none"> Pendant que le moteur tourne, ajoutez un peu de farine par le petit tube, 1 c. à soupe à la fois, jusqu'à ce que la pâte nettoie les parois du bol.

PROBLÈME	SOLUTION FACILE
Le moteur ne démarre pas	<ul style="list-style-type: none"> Un interrupteur de verrouillage de sécurité empêche le moteur de démarrer si l'appareil n'est pas correctement assemblé. Assurez-vous que le bol et le couvercle sont bien verrouillés en place. Si vous désirez trancher ou déchiqueter des aliments et que la solution ci-dessus ne fonctionne pas, vérifiez si les aliments à l'intérieur du tube n'excèdent pas la marque maximale de remplissage, ce qui empêcherait le loquet sécurité de s'activer et faire démarrer le moteur. Assurez-vous que le gros poussoir est suffisamment inséré dans le tube pour activer l'interrupteur de verrouillage de sécurité. Si le moteur ne démarre toujours pas, vérifiez le cordon d'alimentation et la prise murale.
Le robot culinaire s'arrête en cours de fonctionnement	<ul style="list-style-type: none"> Le couvercle peut s'être déverrouillé; assurez-vous qu'il est bien sécurisé en place. Si le moteur surcharge, tous les boutons clignoteront en même temps. Débranchez l'appareil et laissez-le refroidir 20-30 minutes avant de reprendre l'opération.
Le moteur ralentit en cours de fonctionnement	<ul style="list-style-type: none"> Cela est normal, car certaines tâches plus exigeantes (ex. trancher/déchiqueter du fromage) peuvent nécessiter un effort supplémentaire du moteur. Remplacez les aliments dans le tube et poursuivez le traitement. Vous pouvez avoir excédé la capacité maximale. Retirez certains des ingrédients et poursuivez l'opération.
Le robot vibre/bouge durant la transformation	<ul style="list-style-type: none"> Assurez-vous que les pieds en caoutchouc de l'appareil sont propres et secs. Vérifiez également que la capacité maximale n'a pas été excédée. Cela est normal, car certaines tâches plus exigeantes (ex. trancher/déchiqueter du fromage) peuvent nécessiter un effort supplémentaire du moteur.



Recettes

Mayonnaise Maison

🕒 Préparation 5 minutes

🍴 Rendement 1½ tasse

3 jaunes d'œufs
3 c. à thé de moutarde de Dijon
2 c. à soupe de jus de citron ou de vinaigre de vin blanc
375 ml (1½ tasse) d'huile de pépins de raisin ou d'olive légère
Sel et poivre, au goût

1. Assemble le robot culinaire avec la tige de rotation et la lame en S. Mettre les jaunes d'œufs, la moutarde et le jus de citron (ou vinaigre) dans le bol et fermer le couvercle. Mélanger environ 20 secondes ou jusqu'à consistance homogène.
2. Pendant que le moteur tourne, retirer le petit poussoir et verser l'huile en filet. Mélanger jusqu'à ce que le tout soit épais (environ 2½ minutes). Saler, au goût.

Variation

Aïoli

Ajouter 2 gousses d'ail de plus avec les jaunes d'œufs. Remplacer l'huile de pépins de raisin par l'huile d'olive.

Mayonnaise au piment jalapeño

Ajouter 1 piment jalapeño en sauce adobo aux jaunes d'œufs.

Mayonnaise au poivron rouge rôti

Ajouter 1 poivron rouge pelé égrené et haché grossièrement et 1 gousse d'ail aux jaunes d'œufs.

Mayonnaise au wasabi et lime

Remplacer le jus de citron par le jus de lime et ajouter 1 c. à thé de pâte wasabi.

Vinaigrette César

Jouter 4 filets d'anchois, 1 gousse d'ail et 1 c. à soupe de sauce Worcestershire aux jaunes d'œufs. Augmenter le jus de citron de ¼ tasse.

Pesto Au Persil, Ciboulette & Citron

🕒 Préparation 5 minutes

🍴 Rendement 1¼ tasse

2 tasses de persil plat tassé fermement
¼ tasse de ciboulette hachée grossièrement
60 g (½ tasse) de parmesan râpé fin
65 g (½ tasse) d'amandes émincées, grillées
1 gousse d'ail
1 c. à thé de jus de citron
125 ml (½ tasse) d'huile d'olive
½ c. à thé de zeste de citron
Sel et poivre noir fraîchement moulu, au goût

1. Assemble le robot culinaire avec la tige de rotation et la lame en S. Mettre les ingrédients dans le bol selon l'ordre prescrit et fermer le couvercle. Mélanger environ 50 secondes ou jusqu'à consistance presque lisse, en raclant les parois du bol si nécessaire. Incorporer le zeste de citron. Saler et poivre au goût.
2. Transférer dans un contenant hermétique et réfrigérer jusqu'au moment de servir.

Conservation

Le pesto se gardera quelques jours au réfrigérateur dans un contenant hermétique. Pour empêcher qu'il brunisse, arroser de quelques gouttes d'huile avant de le réfrigérer.

Trempelette Au Poivron Rôti, Noix De Pin & Feta

🕒 Préparation 20 minutes / Cuisson 10 minutes

🍴 Rendement 1½ tasse

2 gros poivrons rouges (environ 550 g/1 lb)
Huile en vaporisateur
115 g (¼ tasse) de noix de pin, grillées
¼ tasse de persil plat haché
2 c. à soupe de coriandre fraîche, hachée
1 gousse d'ail
2 c. à soupe de jus de citron
1 c. à soupe d'huile d'olive
½ c. à thé de coriandre moulu
½ c. à thé de paprika fumé
80 g (3 oz) de fromage feta, égrené
Sel et poivre noir fraîchement moulu, au goût

1. Préchauffer le four à 220°C/425°F (180°C/350°F à convection). À la fourchette, piquer le poivron à quelques reprises, vaporiser d'huile et mettre sur une grande plaque de cuisson chemisée de papier sulfurisé.
2. Rôtir environ 40 minutes, en tournant à mi-cuisson, ou jusqu'à ce que la peau cloque et noircisse. Sceller dans un grand sac refermable et laisser reposer 10 minutes ou jusqu'à ce que le poivron soit assez tiède pour le manipuler. Peler et jeter la peau. Couper délicatement le poivron (la vapeur s'en échappera) pour retirer et jeter les graines et membranes.
3. Assemble le robot culinaire avec la tige de rotation et la lame en S. Mettre la chair de poivron, les noix de pin, le persil, la coriandre, l'ail, le jus de citron, la poudre de coriandre et le paprika fumé dans le bol et fermer le couvercle. Traiter environ 20 secondes ou jusqu'à consistance un peu grumelleuse. Saler et poivrer. Transférer dans un bol de service et incorporer le feta. Couvrir et réfrigérer pendant 1 heure pour que les saveurs se développent.

Potage Parmentier

🕒 Préparation 15 minutes / Cuisson 35 minutes

🍴 Rendement 4 portions

2 poireaux, partie blanche seulement, parés
2 c. à soupe d'huile d'olive
40 g (3 c. à soupe) de beurre, haché
750 g (1 lb 10 oz) de pommes de terre, pelées et hachées grossièrement
1 litre (4 tasses) de bouillon de poulet
Sel et poivre blanc, au goût

1. Assemble le robot culinaire avec la tige de rotation et le disque à trancher (réglé à 3-4) et fermer le couvercle. Mettre les poireaux un à un dans le petit tube, côté blanc vers le bas. Emincer les poireaux à l'aide du poussoir.
2. Dans une grande casserole, chauffer l'huile et le beurre à feu moyen. Ajouter les poireaux tranchés et cuire, en remuant à l'occasion, environ 3-4 minutes ou jusqu'à ramollissement. Ajouter les pommes de terre et le bouillon. Couvrir, porter à ébullition, réduire le feu à moyen-bas et laisser mijoter, en remuant à l'occasion, environ 25 minutes ou jusqu'à ce que les pommes de terre soient tendres. Laisser refroidir.
3. Assemble le robot culinaire avec la tige de rotation et la lame en S. Transférer la moitié de la soupe dans le bol, fermer le couvercle et traiter jusqu'à consistance lisse. Répéter l'opération avec le reste de la soupe.
4. Transférer le potage dans la casserole. Chauffer à feu moyen jusqu'à ce qu'il soit très chaud. Assaisonner de sel et de poivre blanc. Arroser de PESTO AU PERSIL, CIBOULETTE & CITRON et servir.



TRUC

Si le potage est trop épais, allonger avec un peu d'eau ou de bouillon.

Croquettes De Crevettes Au Jalapeno Grillé et Aioli À La Lime & Avocat

🕒 Préparation 20 minutes / Cuisson 10 minutes

🍴 Rendement 4 portions

2 gousses d'ail
1 échalote, hachée grossièrement
1½ c. à soupe de coriandre fraîche, hachée
2 piments jalapeño en sauce adobo (voire note)
1 c. à soupe de sauce adobo
3 c. à thé de jus de lime
2 c. à thé de zeste de lime, râpé finement
1 kg (2¼ lb) de grosses crevettes, pelées et déveinées
40 g (½ tasse) de chapelure japonaise Panko
Sel et poivre noir fraîchement moulu, au goût
Huile en vaporisateur, pour graisser
Quartiers de lime, pour servir

Ingrédients Pour L'Aioli À La Lime & Avocat

1 avocat moyen, pelé, dénoyauté et haché grossièrement
60 g (¼ tasse) de mayonnaise maison (recette page 60)
2 c. à soupe de jus de lime
2 gousses d'ail
Sel et poivre noir fraîchement moulu, pour servir
Quartiers de lime, pour servir

- Pour faire les galettes de crevettes:** assembler le robot culinaire avec la tige de rotation et la lame en S. Mettre l'ail, l'échalote, le piment, la sauce adobo, le jus et le zeste de lime dans le bol et fermer le couvercle. Mélanger environ 15-20 secondes ou jusqu'à ce que le tout soit finement haché. Ajouter les crevettes et la chapelure et fermer le couvercle. Mélanger environ 10-15 minutes ou jusqu'à ce que le tout soit haché.
- Avec les mains humides, façonner de petites galettes avec 1 c. à soupe de mélange. Mettre sur une plaque chemisée de papier sulfurisé et réfrigérer 30 minutes.
- Pour faire l'aioli:** assembler la tige de rotation et la lame S-BladeSM dans le bol propre et sec du mélangeur. Ajouter l'avocat, la mayonnaise, le jus de lime et l'ail et fermer le couvercle. Mélanger 30 secondes ou jusqu'à consistance homogène, en raclant les parois du bol à mi-chemin. Transférer dans un bol de service, couvrir et réfrigérer jusqu'au moment de servir.
- Préchauffer à feu moyen une plaque à griller en fonte. Vaporiser les crevettes d'huile et cuire 2-3 minutes de chaque côté ou jusqu'à ce qu'elles soient parfaitement cuites. Servir avec l'aioli et des quartiers de lime.

Falafel Aux Carottes Avec Sauce Tzatziki Au Radis

🕒 Préparation 25 minutes / Cuisson 10 minutes

🍴 Rendement 4 portions

1 boîte de 400 g (15 oz) de pois chiches, rincés et égouttés
3 tranches de pain rassis, sans la croûte et coupées en quatre
⅓ tasse de graines de sésame
1 oignon rouge, pelé et coupé en quatre
2 gousses d'ail
2 carottes moyennes (180 g), pelées
1 œuf, légèrement battu
2½ c. à soupe de tahini
3 c. à soupe de farine tout usage
2 c. à thé de poudre de cumin
1 c. à thé de poudre de coriandre
½ c. à thé de poudre à pâte
¼ c. à thé de paprika doux
Sel et poivre, au goût
Huile végétale, pour frire
Quartiers de lime, pour servir
Salade mixte, pour servir

Tzatziki Aux Radis (Ingrédients)

170 g (5) radis, hachés grossièrement
½ tasse de feuilles de menthe fraîche
1 gousse d'ail
200 g (¾ tasse) de yogourt grec riche en gras
2 c. à thé de jus de citron frais
Sel et poivre, au goût

- Pour faire le falafel:** assembler le robot culinaire avec la tige de rotation et le disque déchiqueteur, côté grossier, et fermer le couvercle. Mettre les carottes dans le petit tube d'alimentation. Utiliser le petit poussoir et râper les carottes. Transférer dans un bol et égoutter.
- Retirer le disque déchiqueteur, sécher le bol et l'assembler au robot avec la lame en S. Mettre le pain dans le bol et fermer le couvercle. Mélanger 20 secondes pour obtenir une chapelure. Incorporer les graines de sésame et ajouter l'oignon et l'ail. Fermer le couvercle et mélanger 10-20 secondes ou jusqu'à ce que le tout soit finement haché.
- Mettre l'oignon et l'ail dans le bol du robot et fermer le couvercle. Mélanger 10-20 secondes ou jusqu'à ce que finement haché. Ajouter les carottes, les pois chiches, l'œuf, le tahini, la farine, le cumin, la coriandre, la poudre à pâte, la moitié de la chapelure et le paprika. Mélanger 10-15 secondes ou jusqu'à ce qu'à l'obtention d'une texture légèrement grumeleuse. Cesser de mélanger avant d'obtenir une purée. Transférer dans un bol.
- Façonner des boulettes avec 1 c. à soupe de mélange. Rouler dans le reste de chapelure, transférer dans un plat chemisé de papier sulfurisé, couvrir et réfrigérer 1 heure ou jusqu'à fermeté.
- Pour faire le tzatziki aux radis:** assembler le bol du robot (propre et sec) avec la tige de rotation et la lame en S. Ajouter les radis, la menthe et l'ail. Mélanger 15 secondes, en raclant les parois du bol, si nécessaire, ou jusqu'à ce que le tout soit finement haché. Ajouter le yogourt et le jus de citron. Pulser jusqu'à consistance homogène. Saler et poivrer. Transférer dans un bol de service.
- Verser l'huile jusqu'à 5 cm (2 po) de hauteur dans une poêle à frire profonde. Faire frire les falafels par portions, tourner pour qu'ils soient dorés tout autour et égoutter sur du papier essuie-tout. Servir avec le tzatziki aux radis, des quartiers de citron et une salade.

Tagine Marocaine Epicee Aux Boulettes De Viande et Œufs

🕒 Préparation 15 minutes / Cuisson 20 minutes

🍴 Rendement 4 portions

500 g (1 lb) d'épaule de bœuf, coupé en cubes de 2 cm (¾ po)
1 tranche de pain rassis, sans la croûte et défait en petits morceaux
2½ c. à soupe de persil plat, haché
2½ c. à soupe de menthe fraîche, plus 1 c. à soupe pour garnir
2 c. à thé de poudre de cumin
1½ c. à thé de paprika fumé
1 c. à thé de cannelle
¼ c. à thé de quatre-épices
5 œufs
2 c. à soupe d'huile
1 oignon, pelé et haché grossièrement
2 gousses d'ail, écrasées
1 boîte de 800 g (28 oz) de tomates en cubes
Pain pita turc grillé, pour servir

1. Préchauffer le four à 200°C/400°F (180°C/350°F à convection).
2. Assembler le robot culinaire avec la tige de rotation et la lame en S. Mettre le bœuf dans le bol et fermer le couvercle. Mélanger environ 10 secondes ou jusqu'à ce que la viande soit hachée. Transférer dans un bol.
3. Mettre le pain, le persil, la menthe, 1 c. à thé de cumin et le quatre-épices dans le bol du robot et fermer le couvercle. Mélanger environ 10 secondes ou jusqu'à ce que le tout soit finement haché. Incorporer le bœuf haché dans le bol du robot et ajouter 1 œuf. Pulser jusqu'à ce que le mélange soit combiné. Façonner des boulettes avec 1 c. à soupe de mélange.
4. Dans une grande poêle à frire ou en fonte allant au four, chauffer l'huile à feu élevé. Cuire les boulettes par portions environ 8 minutes ou jusqu'à ce qu'elles soient colorées et presque cuites; ajouter un peu d'huile, si nécessaire. Transférer dans une grande assiette.
5. Assembler le bol du robot (propre et sec) avec la tige de rotation et la lame en S. Ajouter l'oignon et fermer le couvercle. Mélanger 10-15 secondes ou jusqu'à ce qu'il soit finement haché.
6. Chauffer le reste de l'huile à feu moyen. Ajouter l'oignon haché et cuire en remuant environ 8 minutes ou jusqu'à coloration dorée. Incorporer l'ail, le reste du cumin, du paprika et de la cannelle. Cuire en remuant environ 30 secondes ou jusqu'à ce que le tout soit odorant. Ajouter les tomates et laisser mijoter à feu moyen. Réduire le feu et laisser mijoter encore 8 minutes ou jusqu'à consistance légèrement épaisse. Ajouter les boulettes de viande et bien enrober.
7. Faire 4 puits dans le mélange de tomates et briser délicatement un œuf dans chacun des puits. Cuire au four 10-12 minutes ou jusqu'à ce que les blancs d'œufs soit juste assez pris et les jaunes un peu coulants. Garnir de feuilles de menthe et servir avec du pain pita turc grillé.

Pâte À Pizza

🕒 Préparation 5 minutes plus 30 minutes de temps de repos

🍴 Rendement assez pour 4 croûtes minces ou 2 croûtes épaisses de 30 cm (12 po)

400 g (3 tasses) de farine à pain
1 c. à soupe de levure sèche instantanée
1 c. à soupe de sucre
1 c. à soupe de sel
1 c. à soupe d'huile d'olive
250 ml (1 tasse) d'eau chaude

1. Assembler le robot culinaire avec la tige de rotation et la lame en S. Mettre la farine, la levure, le sucre, le sel, l'huile d'olive et l'eau dans le bol et fermer le couvercle. Pendant que le moteur tourne, verser lentement l'eau par le tube d'alimentation. Mélanger, mais sans trop, jusqu'à ce que la pâte forme une boule.
2. Retirer délicatement la pâte et la pétrir sur une surface farinée pour qu'elle soit lisse. Mettre la boule de pâte dans un bol légèrement huilé, couvrir et laisser reposer dans un endroit chaud environ 30 minutes ou jusqu'à ce qu'elle ait doublé de volume. Transférer la pâte sur la surface farinée et faire dégonfler avec le poing au centre pour dégager le surplus d'air, puis pétrir légèrement.
3. Pour une croûte mince, diviser la pâte en 4 boules de 170 g (6 oz) chacune, couvrir et réserver. Pour une croûte plus épaisse, diviser en 2 boules égales, couvrir et réserver.



TRUC

Remplacer le bœuf par l'épaule ou le gigot d'agneau désossé. Pour une recette plus épicée, ajouter 1 petit piment rouge finement haché à l'ail et aux épices.

Salade De Poulet Vietnamienne (Goi Ga)

🕒 Préparation 25 minutes / Cussion 12 minutes

🍴 Rendement 4 portions

2 filets de poitrine de poulet sans la peau
1 litre (4 tasses) de bouillon de poulet
3 gousses de cardamome
2 anis étoilés
2 bâtons de cannelle
Poivre fraîchement moulu, au goût
¼ d'un chou vert moyen
200 g (6 oz) de pois mange-tout, parés
2 carottes moyennes, pelées et coupées en deux sur la largeur
2 échalotes rouges asiatiques, pelées
90 g (1 tasse) de fèves germées
1 tasse de feuilles de menthe fraîche, tassées
1 tasse de feuilles de coriandre fraîche, tassées
100 g (2/3 tasse) d'arachides rôties, hachées grossièrement
½ tasse d'échalotes frites (voir Truc), pour garnir
1 long piment rouge, finement tranché, pour garnir (optionnel)

Vinaigrette

2 petits piments oiseaux rouges
2 gousses d'ail
1 morceau de gingembre de 2,5 cm (1 po), pelé et haché grossièrement
60 ml (¼ tasse) de sauce de poisson
125 ml (½ tasse) de jus de lime frais
2½ c. à soupe de sucre



TRUC

- Les échalotes frites sont offertes dans l'allée de produits asiatiques de votre supermarché ou dans les épicerias asiatiques.
- Pour une vinaigrette moins épicée, égrener le chili au préalable.

Quiche Au Fromage De Chèvre & Poireau

🕒 Préparation 20 minutes / Cussion 1 hour

🍴 Rendement 6-8 portions

2 poireaux, la partie blanche seulement
80 g (3 oz) de beurre, haché
1 c à soupe d'huile d'olive
1 c. à soupe de thym frais, haché, plus quelques tiges pour garnir
Sel de mer et poivre noir fraîchement moulu, au goût
80 g (3 oz) de fromage de chèvre, émietté
300 ml (1¼ tasse) de crème épaisse
4 œufs

Shortcrust Pastry

250 g (2 tasses) de farine tout usage
135 g (1 bâtonnet plus 1 c. à soupe) de beurre froid, haché
1 œuf
1-2 c. à thé d'eau glacée

1. Pour faire la vinaigrette: assembler le robot culinaire avec la tige de rotation et la lame en S. Mettre les ingrédients dans le bol et fermer le couvercle. Mélanger 15 secondes ou jusqu'à ce que le sucre soit dissout. Transférer dans un contenant.
2. Pour faire le Goi Ga: Mettre le poulet dans une casserole, couvrir de bouillon, ajouter la cardamome, les anis étoilés et la cannelle. Poivrer et porter à ébullition à feu élevé. Réduire le feu et laisser mijoter environ 10 minutes ou jusqu'à ce que le poulet soit complètement cuit. Retirer du feu et laisser refroidir dans la casserole 15 minutes. À l'aide d'une cuiller trouée, transférer le poulet dans un bol résistant à la chaleur. Couvrir d'une pellicule plastique et réfrigérer environ 2 heures. Jeter le bouillon et les épices.
3. Assembler le bol du robot (propre et sec) avec la tige de rotation et le disque déchiqueteur (côté grossier) et fermer le couvercle. Déchiqueter les carottes, par portions, en utilisant le petit tube d'alimentation. Déchiqueter les pois mange-tout par portions en utilisant le grand tube. Transférer le mélange dans un grand bol.
4. Assembler le bol du robot (propre et sec) avec la tige de rotation et le disque éminceur (réglé à 2) et fermer le couvercle. Couper le chou en quartiers pour convenir au grand tube d'alimentation et trancher par portions. Ajouter le mélange de carottes. Avec le disque (réglé à 1), émincer les échalotes par le petit ou le moyen tube d'alimentation, selon la grosseur. Incorporer au mélange de chou et ajouter les fèves germées, la menthe, la coriandre et la moitié des arachides et remuer légèrement.
5. Effiloche le poulet à la main et ajouter au mélange de chou. Arroser de vinaigrette et bien remuer. Diviser dans des bols de service et garnir du reste d'arachides, d'échalotes frites et de piment rouge.

1. Pour faire la pâte: assembler le robot culinaire avec la tige de rotation et la lame en S. Mettre la farine et le beurre dans le bol et fermer le couvercle. Mélanger jusqu'à consistance de chapelure. Ajouter l'œuf et l'eau et mélanger jusqu'à la formation d'une boule. Ne pas trop mélanger. Ajouter l'eau graduellement, au besoin.
2. Pétrir délicatement la pâte à la main jusqu'à consistance lisse. Former un disque et couvrir d'une pellicule plastique. Réfrigérer 20 minutes.
3. Préchauffer le four à 180°C/350°F (160°C/325°F à convection). Graisser légèrement une assiette à quiche à fond amovible de 25x3 cm (11 po) de diamètre. Preheat oven to 350°F/180°C no fan (320°F/160°C fan-forced). Lightly grease 11" (25cm x 3cm) loose base round tart pan.
4. Assembler le robot culinaire avec la tige de rotation et le disque éminceur (réglé à 3-4) et fermer le couvercle. Mettre les poireaux un à un dans le petit tube d'alimentation, le côté blanc vers le bas. Émincer les poireaux à l'aide du petit poussoir.
5. Dans une grande poêle à frire, chauffer le beurre et l'huile à feu moyen. Ajouter les poireaux et cuire en remuant environ 5-7 minutes ou jusqu'à ramollissement. Ajouter le thym et cuire en remuant encore 1 minute. Saler, poivrer et réserver.
6. Abaisser la pâte entre deux feuilles de papier sulfurisé, en tenant compte du format et de la hauteur de moule. Transférer l'abaisse dans l'assiette à tarte; découper les bords de la pâte. À l'aide d'une fourchette, piquer le fond de la pâte. Couvrir de papier sulfurisé et remplir de billes de cuisson, de riz cru ou de fèves séchées. Cuire au four 15 minutes. Retirer le papier et les billes (riz ou fèves) et cuire encore 5 minutes.
7. Étaler les poireaux dans le fond de la pâte. Saupoudrer de miettes de fromage de chèvre et ajouter les tiges de thym. Fouetter la crème, les œufs, le sel et le poivre et verser le mélange sur les poireaux. Cuire au four environ 30 minutes ou jusqu'à consistance ferme. Laisser refroidir 30 minutes avant de servir.

Biscuits Aux Brisures De Chocolat, Pacanes & Flocons D'avoine

🕒 Préparation 15 minutes / Cussion 12 minutes
🍴 Rendement 28

125 g (1 bâtonnet) de beurre, ramolli et haché
100 g (½ tasse) de sucre ultrafin
100 g (½ tasse) de cassonade tassée fermement
1 œuf
2 c. à thé d'extrait de vanille
200 g (1½ tasse) de farine tout usage
2½ c. à thé de poudre à pâte
½ c. à thé de sel
190 g (1 tasse) de brisures de chocolat mi-sucré
70 g (½ tasse) de moitiés de pacanes, hachées grossièrement
25 g (¼ tasse) de flocons d'avoine

1. Préchauffer le four à 180°C/350°F (160°C/325°F à convection). Chemiser de papier sulfurisé 3 grandes plaques de cuisson.
2. Assembler le mélangeur avec la tige de rotation et la lame en S. Mettre le beurre, la cassonade, le sucre, l'œuf et la vanille dans le bol et fermer le couvercle. Mélanger environ 10 secondes ou jusqu'à texture lisse. Dans un bol, tamiser la farine, la poudre à pâte et le sel. Ajouter au mélange et fermer le couvercle. Pulser 8-10 fois ou jusqu'à ce que le tout soit combiné. Incorporer les brisures de chocolat, les noix et les flocons d'avoine et fermer le couvercle. Pulser 5 fois ou jusqu'à ce que le tout soit mélangé.
3. À l'aide d'une cuiller, déposer 1 c. à soupe comble de pâte à biscuit sur les plaques, en laissant 3-4 cm (1-1½ po) entre chacun. Cuire au four environ 10-12 minutes ou jusqu'à coloration dorée. Laisser reposer sur les plaques 5 minutes. À l'aide d'une spatule, transférer sur une grille et laisser refroidir complètement.

Ganache Au Chocolat Noir

🕒 Préparation 5 minutes / Cussion 2 minutes
🍴 Rendement 790g (3 tasses)

600 g (21 oz) de chocolat noir, haché grossièrement
300 ml (1¼ tasse) de crème épaisse

1. Assembler le mélangeur avec la tige de rotation et la lame en S, en vous assurant que le bol et les accessoires sont parfaitement secs. Mettre le chocolat dans le bol et fermer le couvercle. Mélanger 20-30 secondes ou jusqu'à que le tout soit finement haché.
2. Dans une casserole, verser la crème et porter à ébullition à feu moyen. Ajouter le chocolat et remuer 10 secondes ou jusqu'à ce qu'il ait fondu et que le mélange soit lisse et brillant. Transférer dans un bol et laisser tiédir.



TRUC

- Utiliser la ganache immédiatement comme sauce au chocolat. Pour l'utiliser comme garniture à vos tartelettes: laisser refroidir au réfrigérateur dans des moules à cupcakes en papiers.
- Utiliser comme glaçage à gâteaux ou à cupcakes: laisser la ganache à la température de la pièce environ 2-3 heures ou jusqu'à ce qu'on puisse la napper.
- Utiliser pour faire des truffes: mettre la ganache dans un contenant hermétique et réfrigérer jusqu'à texture ferme et épaisse. Façonner des boules et les enrober de poudre de cacao, de pépites de chocolat, de noix hachées ou de noix de coco râpée.

Gâteau Sans Gluten À L'Orange, Aux Amandes & Aux Pistaches

🕒 Préparation 15 minutes / Cussion 1 heure
🍴 Rendement 10 portions

395 g (2) oranges, lavées et frottées
125 g (4 oz) d'amandes blanchies
125 g (4 oz) de pistaches entières, plus 45 g (1½ oz) hachées grossièrement, pour garnir
5 œufs
270 g (11/3 tasse) de sucre ultrafin
1 c. à thé de poudre à pâte sans gluten
Sucre en poudre, pour garnir
Crème fraîche ou yogourt grec riche en gras, pour servir

1. À l'aide d'une fourchette, piquer les oranges tout autour à quelques reprises. Mettre dans un plat allant au micro-ondes et chauffer à pleine intensité (HIGH) 8 minutes, en tournant à mi-temps. Laisser refroidir complètement. Couper les oranges en quartiers, épépiner et jeter les pépins.
2. Préchauffer le four à 180°C/350°F (150°C/300°F à convection). Graisser et chemiser la base et les côtés d'un moule à charnière de 22 cm (9 po) de diamètre.
3. Assembler le robot culinaire avec la tige de rotation et la lame en S. Mettre les amandes et les pistaches dans le bol et fermer le couvercle. Mélanger environ 50 secondes ou jusqu'à consistance de farine. Transférer dans un bol. Mettre les quartiers d'orange (avec la peau) dans le bol du robot et mélanger 1 minute ou jusqu'à consistance de purée, en raclant les parois du bol, si nécessaire.
4. Dans un batteur électrique, battre les œufs et le sucre jusqu'à consistance épaisse. À l'aide d'une grande cuiller de métal, ajouter en pliant la pulpe d'orange, la farine de pistaches et la poudre à pâte et combiner. Verser à la cuiller dans le moule préparé. Cuire au four 50 min - 1 heure ou jusqu'à ce qu'un cure-dent inséré au centre en ressorte propre. (Si le dessus du gâteau semble trop doré, le couvrir de papier aluminium. Laisser reposer 15 minutes, puis transférer sur une grille et laisser refroidir complètement.
5. Retirer du moule. Saupoudrer de sucre à glacer et garnir de pistaches hachées. Servir

Gâteau Au Fromage, À La Limette & Fruit De La Passion

🕒 Préparatio 15 minutes / Cussion 20 minutes
🍴 Rendement 22

250 g (9 oz) de biscuits Graham, coupés en deux
125 g (1 bâtonnet) de beurre, fondu
140 g (2/3 tasse) de sucre blanc
250 ml (8 oz) de crème sure
3 œufs
1 c. à soupe de zeste de lime
1 c. à soupe de jus de lime
2 paquets de 250 g (8 oz) de fromage à la crème, haché et ramolli
60 ml (¼ tasse) de pulpe de fruit de la passion (environ 4 fruits)

1. Préchauffer le four à 160°C/325°F (140°C/280°F à convection). Chemiser de caissettes en papier ou en aluminium deux moules à muffins d'une capacité de 12 muffins de 80 ml (1/3 tasse) chacun.
2. Assembler le robot culinaire avec la tige de rotation et la lame en S. Mettre les biscuits dans le bol et fermer le couvercle. Mélanger jusqu'à consistance de fine chapelure. Ajouter le beurre et mélanger jusqu'à consistance homogène. Verser dans les moules à muffins et égaliser avec le dos d'une cuiller. Réfrigérer 15 minutes.
3. Pendant ce temps, assembler le robot culinaire avec le bol (propre et sec), la tige de rotation et la lame en S. Ajouter le sucre, la crème sure, les œufs, le zeste et le jus de lime et fermer le couvercle. Mélanger 15 secondes ou jusqu'à consistance lisse. Ajouter la crème sure et la pulpe des fruits de la passion et mélanger 30 secondes jusqu'à consistance homogène. Verser dans les moules et cuire au four 20-25 minutes ou jusqu'à consistance ferme. Laisser refroidir au four avec la porte entrouverte. Couvrir et réfrigérer environ 2 heures avant de servir.

Breville Customer Service Centre

USA

Mail: Breville USA
19400 S. Western Ave
Torrance CA
90501-1119

Phone: 1-866-273-8455
1-866-BREVILLE

Email: askus@brevilleusa.com

Web: www.brevilleusa.com

Canada

Mail: Breville Canada
3595 Boulevard Cote-Vertu,
Saint-Laurent,
Quebec H4R 1R2

Phone: 1-855-683-3535

Email: askus@breville.ca

Web: www.breville.ca

Breville[®]
Thought for food[®]

Breville is a registered trademark of Breville Pty. Ltd. A.B.N. 98 000 092 928.
Copyright Breville Pty. Ltd. 2014.

Due to continued product improvement, the products illustrated/photographed
in this booklet may vary slightly from the actual product.