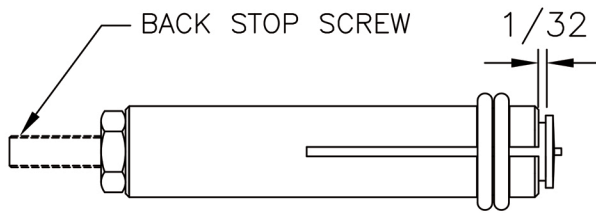


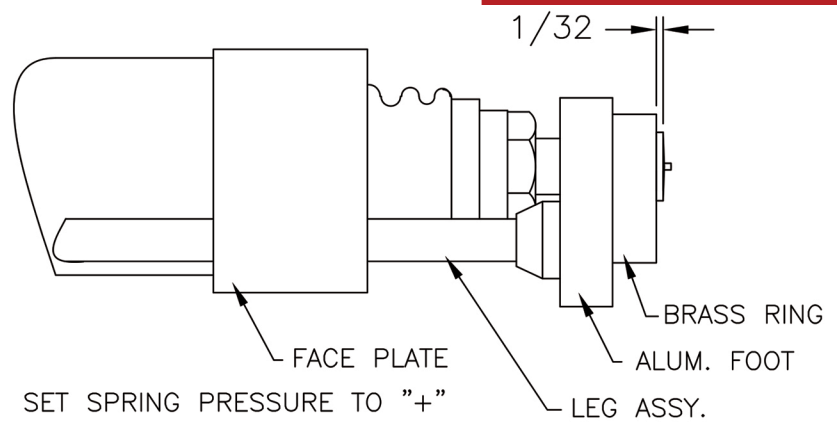


## QUICK GUIDE FOR GAP SETUP

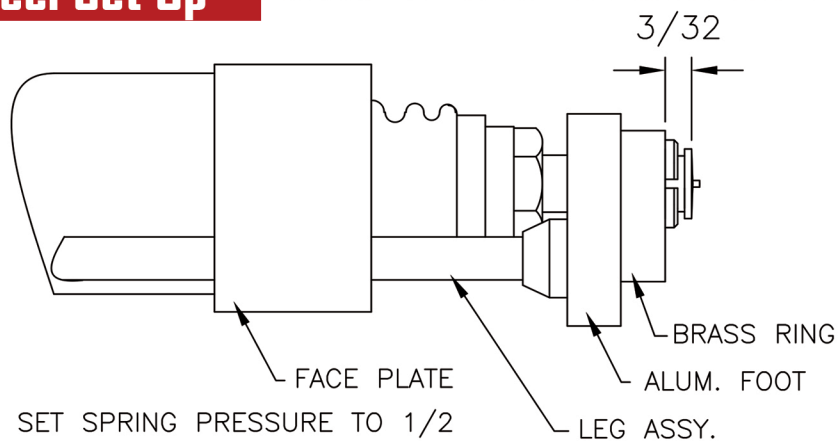


- 1) ENGAGE ALL OF THE STUD INTO THE CHUCK AS SHOWN ABOVE. ADJUST THE BACK STOP TO OBTAIN THIS SETTING.
- 2) FOR STUDS LONGER THAN 1-1/2" ENGAGE AS MUCH AS POSSIBLE

### Aluminum Set Up



### Steel Set Up



**You** 



An "exclusive" step by step YouTube video can be viewed by scanning QR code here