

ACTIVES O-RING INSTALLATION INSTRUCTIONS

CONTENTS

2 Actives Lid O-Rings (1 Large, 1 Small)

The Large O-Ring fits in the Actives lid.

The Small O-Ring fits in the drinking spout cap of the Actives lid.

INSTALLATION

1

Remove existing O-Rings from Actives Lid.

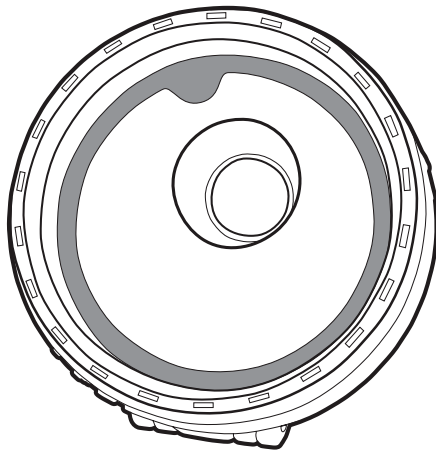
- Large O-Ring: Remove the Large O-Ring by gently pulling on the tab.
- Small O-Ring: Remove the Small O-Ring by gently pulling on the tab.

Tip: Use a toothpick or fork to pull the Small O-Ring out of the drinking spout cap.

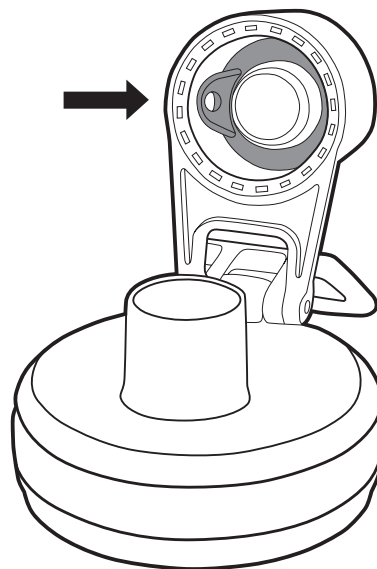
2

Place the new O-Rings, flat side down, into the open areas.

Tip: Use the flat end of a toothpick and gently press the O-Rings into place.



Large O-Ring (Lid)



Small O-Ring (Drinking Spout Cap)