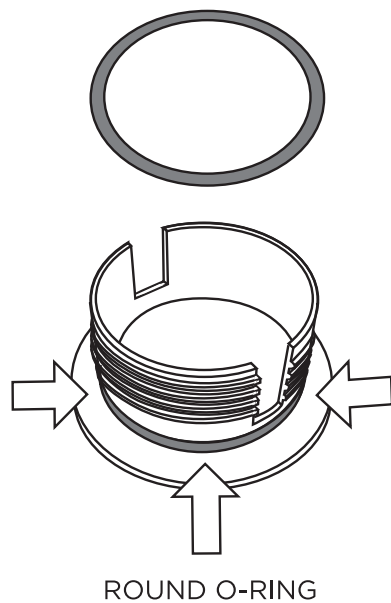
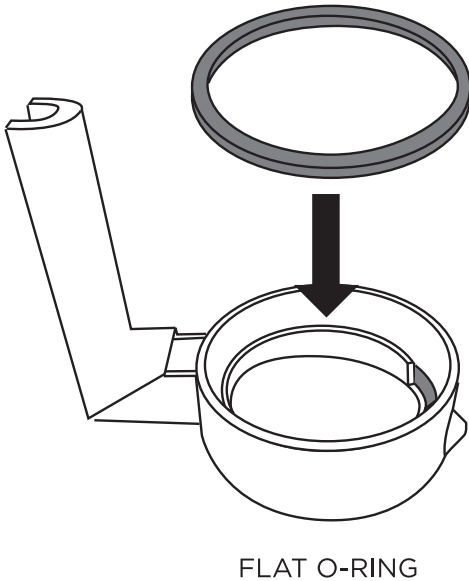


O-RING INSTALLATION INSTRUCTIONS



CONTENTS: 1 FLAT O-Ring. 1 ROUND O-Ring

O-Rings fit all 1 quart and 2 quart pitchers.

INSTALLATION:

FLAT O-RING

- 1 Flat O-Ring goes inside the handled lid. Remove existing O-Ring from inside the handle.

Tip:

Use a toothpick and gently insert the pointed side between the O-Ring and inner circle area to create a gap and separate the O-Ring from the handle bracket.

Follow the movement of the circle with the tooth pick and the O-Ring will pop out.

- 2 Place the new flat O-Ring, into the open area.

Tip:

Use the flat end of a tooth pick and gently press the O-Ring into place.

INSTALLATION:

ROUND O-RING

- 1 The Round O-Ring goes between the threads and the top of the lid (see left). Remove existing O-Ring from lid.

Tip:

Using fingers, roll the O-Ring until it comes off.

- 2 Roll the new O-Ring, into the top groove (see left).