

ORIGINALS O-RING INSTALLATION INSTRUCTIONS

CONTENTS

2 Originals Lid O-Rings (1 Large, 1 Small)

The Large O-Ring fits in the Originals lid.

The Small O-Ring fits in the drinking spout cap of the Originals lid.

INSTALLATION

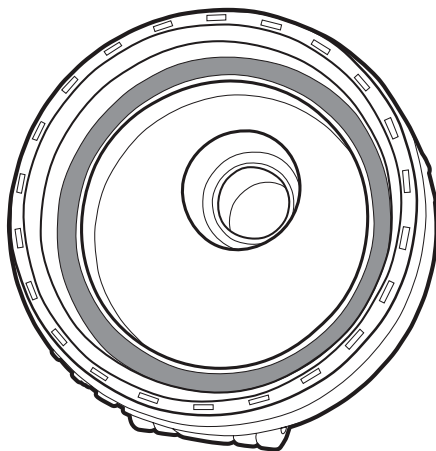
- 1 Remove existing O-Ring from Originals Lid.

Tip: Use a toothpick and gently insert the pointed side between the O-Ring and inner circle area to create a gap and separate the O-Ring from the drinking spout cap.

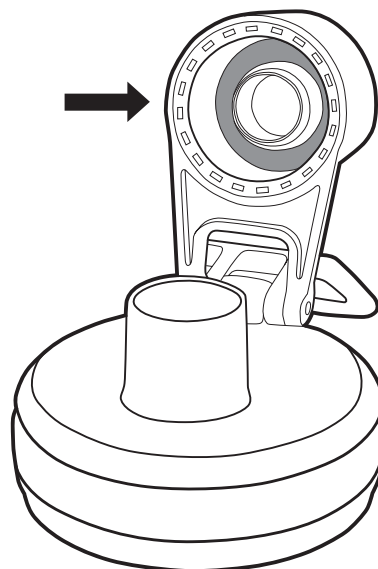
Follow the movement of the circle with the toothpick and the O-Ring will pop out.

- 2 Place the new O-Ring, flat side down, into the open area.

Tip: Use the flat end of a toothpick and gently press the O-Ring into place.



Large O-Ring (Lid)



Small O-Ring (Drinking Spout Cap)