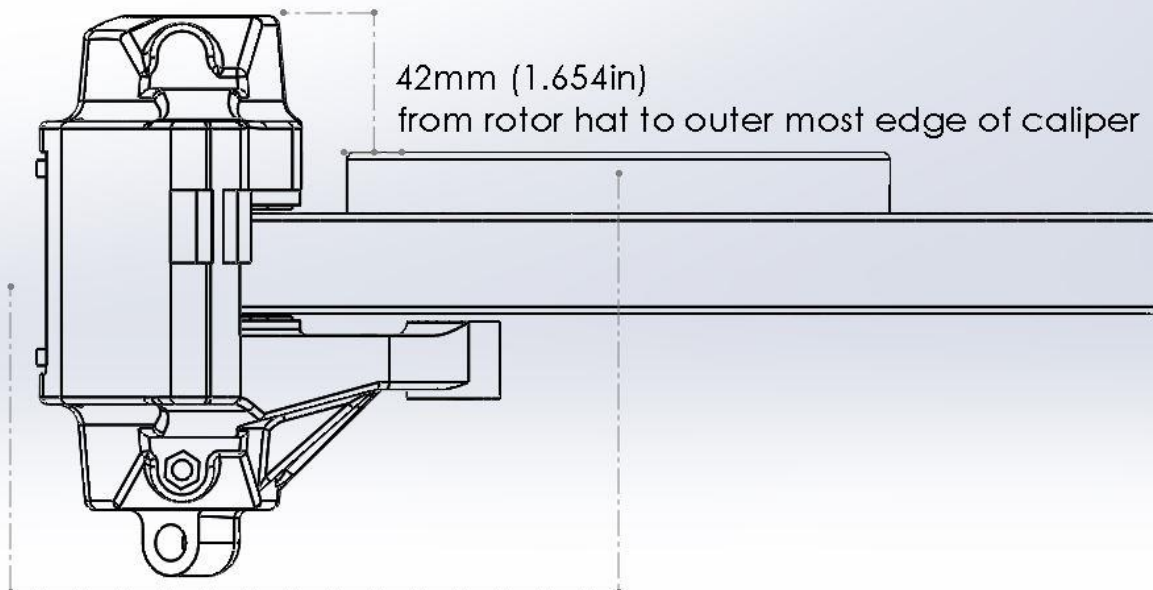
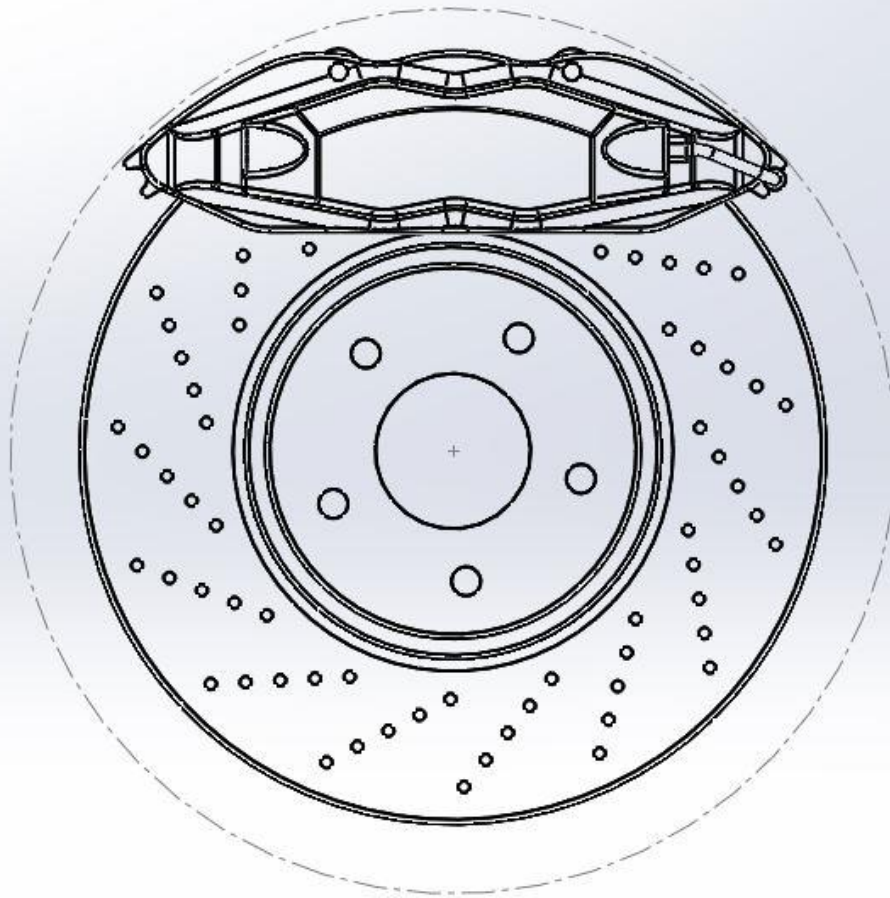


6 Piston CTSV Measurements (4 Piston caliper shown as reference)

400MM (15.75in) minimum inside wheel diameter



200MM(7.875 in) minimum wheel clearance inside radius