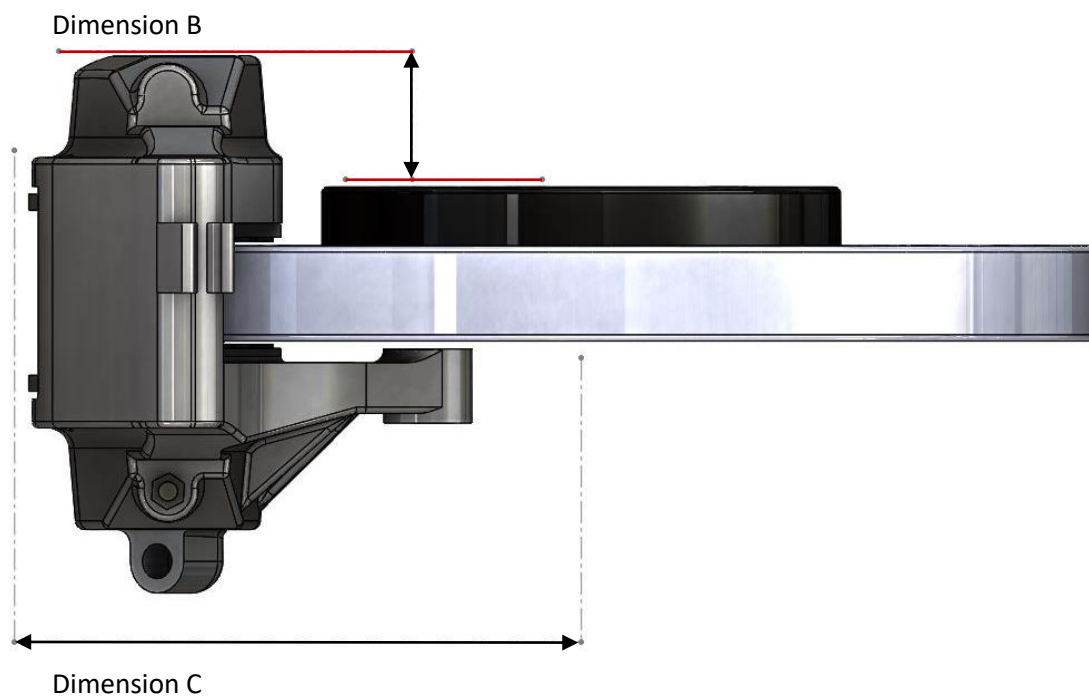
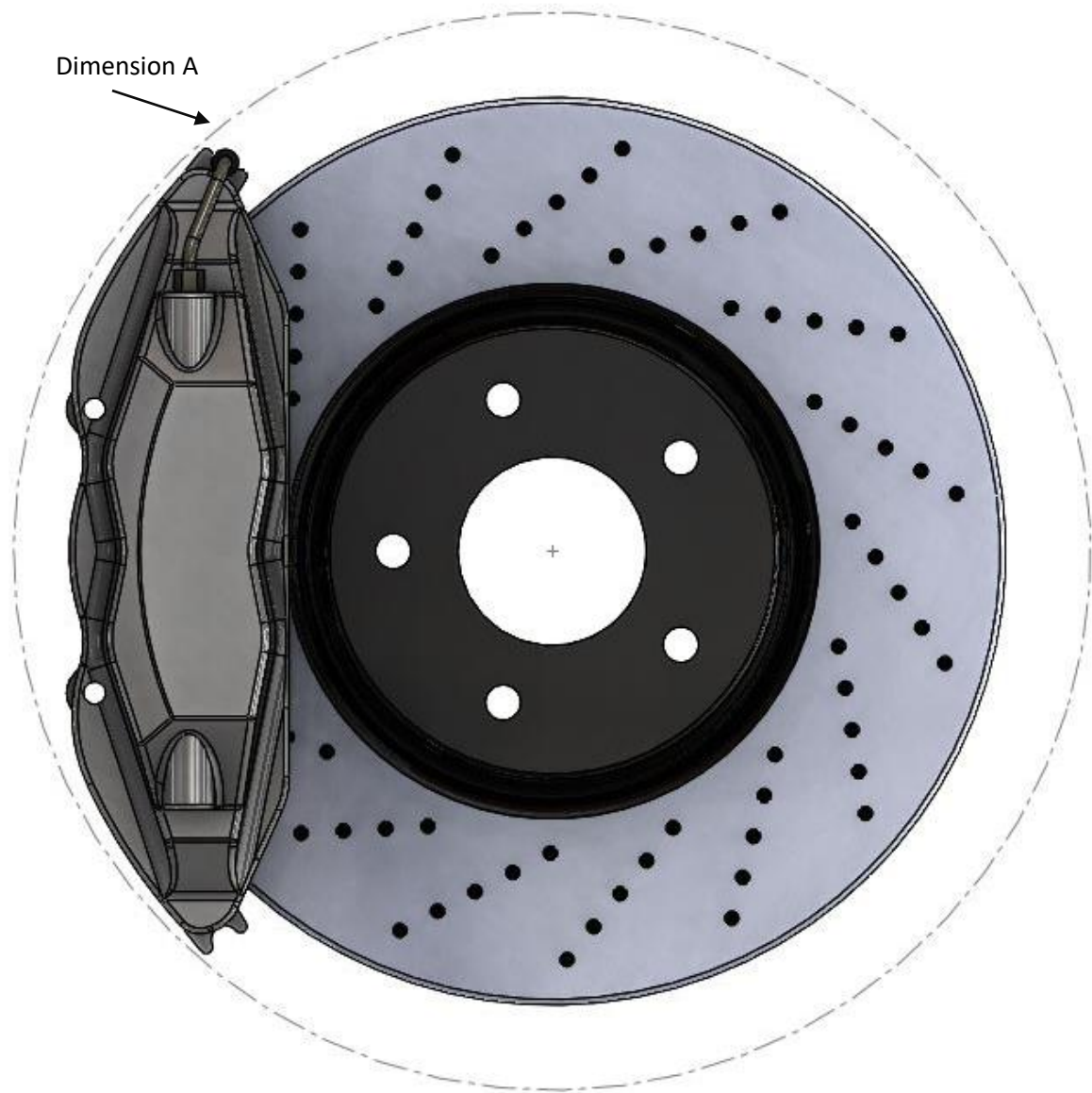


# Z/S/R Chassis



## 4 Piston CTSV brake measurements

### Dimension A:

393.7MM (15.5in) Minimum inside wheel diameter

### Dimension B:

41MM (1.614in) From rotor hat to outer edge of caliper

### Dimension C:

196.85MM (7.75in) Minimum inside wheel radius  
(dimension A divided by 2)

## Z32 Brake measurements for reference

### Dimension A:

335MM (13.2in) Minimum inside wheel diameter

### Dimension B:

38MM (1.496in) From rotor hat to outer edge of caliper

### Dimension C:

167.5MM (6.6in) Minimum inside wheel radius  
(dimension A divided by 2)

