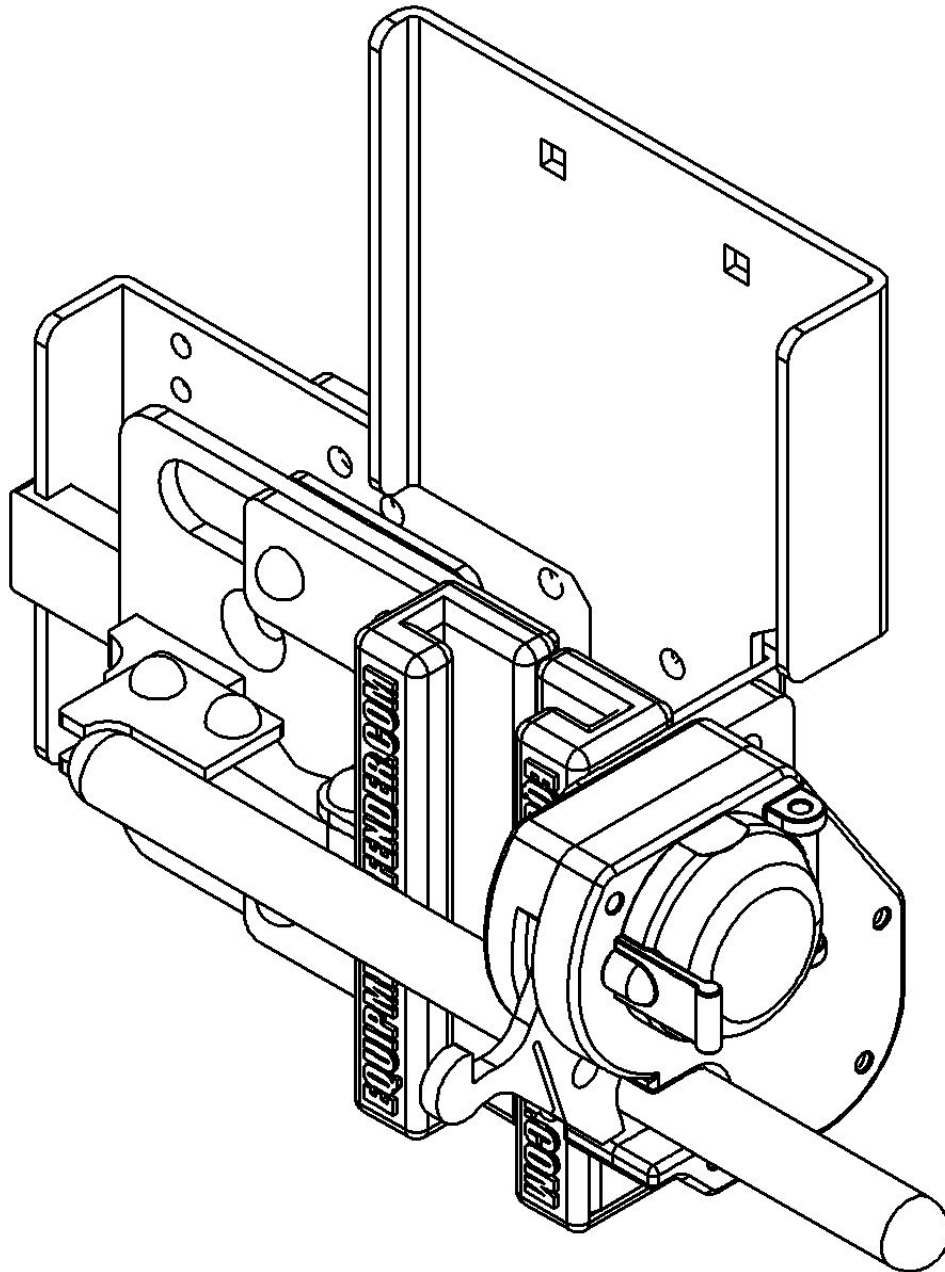


Equipment Defender

Chainsaw Rack

Assembly Instructions



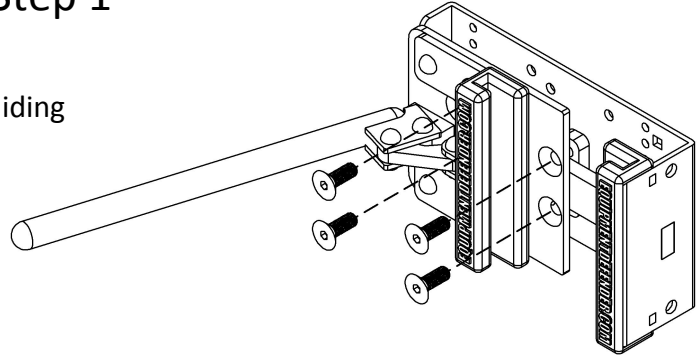
Patents Pending

EquipmentDefender.com

Chainsaw Rack Instructions

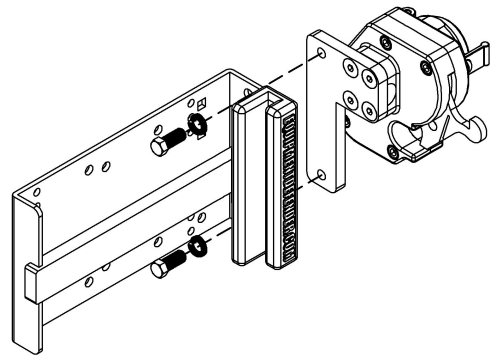
Step 1

Remove the 4 screws shown and remove the sliding jaw assembly



Step 2

Install the lock assembly using the hardware labeled "Lock Attachment Bolts."

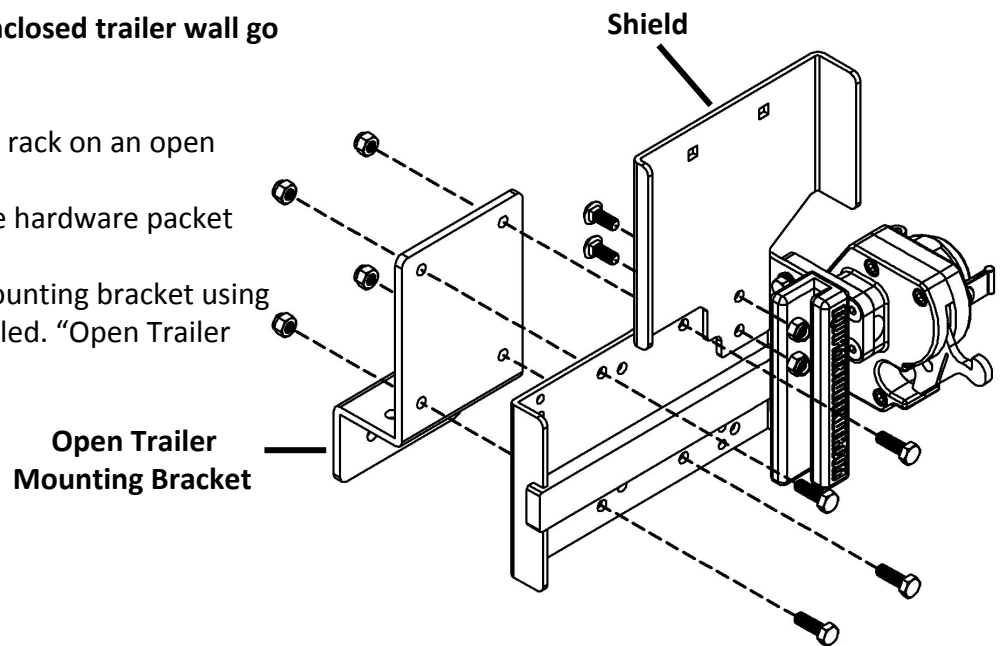


Step 3

If you are mounting on an enclosed trailer wall go to step 5.

If you are going to mount the rack on an open trailer.

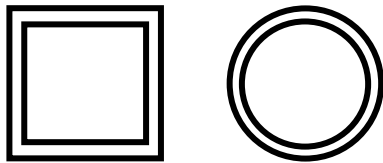
- 1) Install the shield using the hardware packet labeled "Shield Bolts."
- 2) Install the open trailer mounting bracket using the hardware packet labeled. "Open Trailer Mounting Hardware."



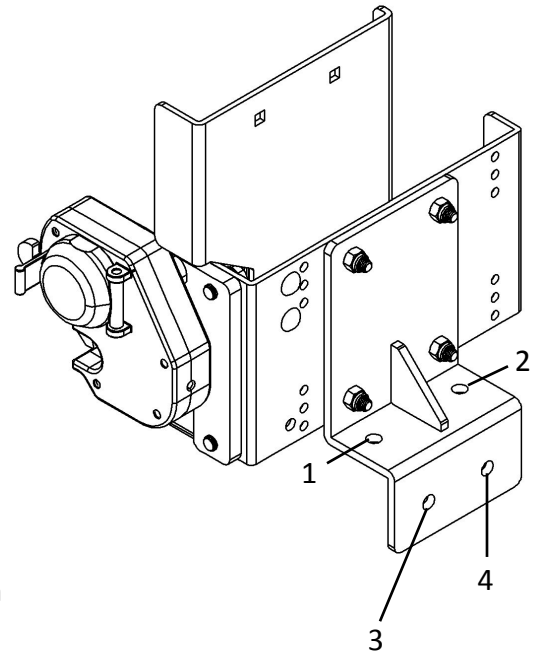
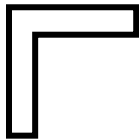
Step 4 Mounting on open trailer rails

1. Use hardware packet labeled open trailer mounting hardware. Use a 3/8 drill bit for the mounting holes.
2. Hold the rack on the rail of your trailer and mark the location of hole 1&2, drill the holes and mount the rack using these two bolts.
3. Bolt the rack in place and then drill through holes 3&4 and through the trailer rail. And install the bolts.

If you have square or round tube top rails you can mount the rack anywhere.



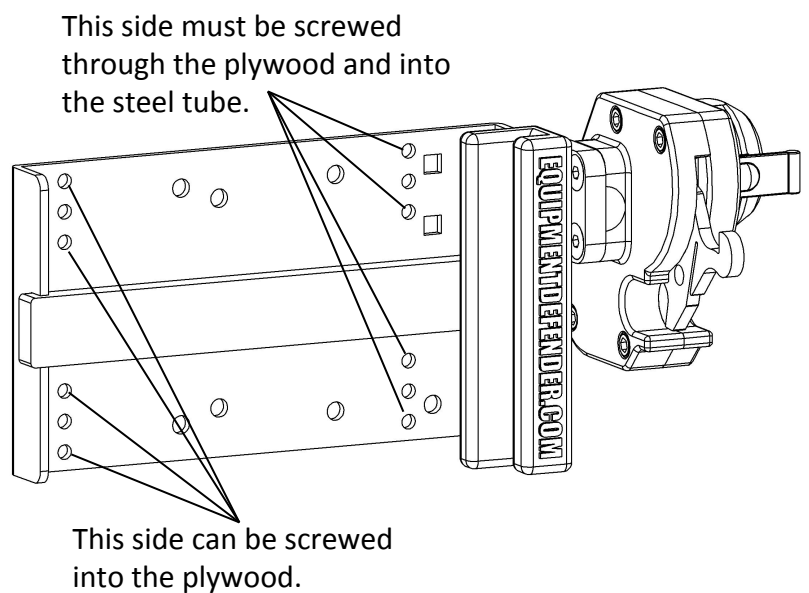
If you have angle iron rails you must mount directly over an upright support to control flexing of the rail.



Use all 4 mounting holes

Step 5 Mounting on enclosed trailer walls

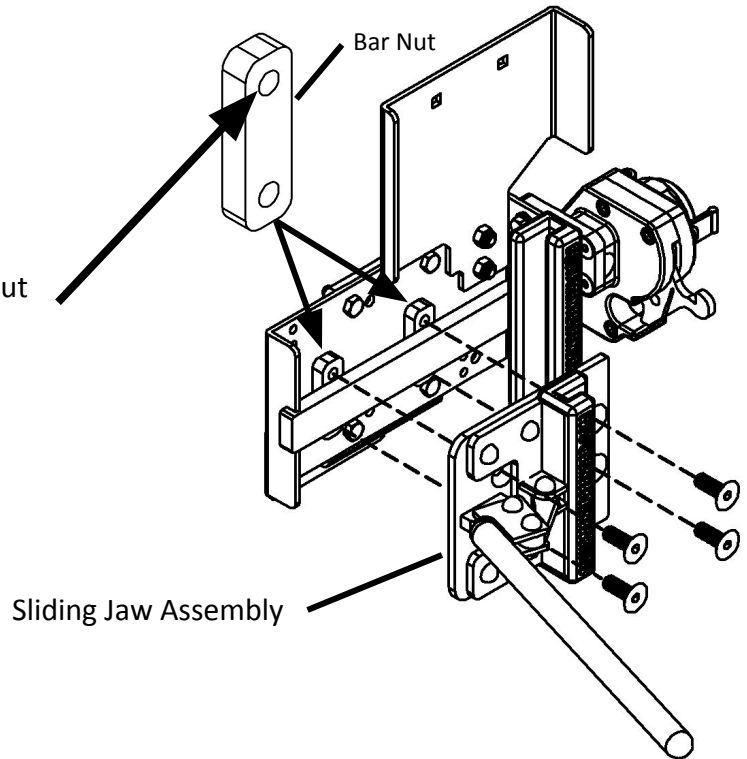
1. Use hardware packet labeled enclosed trailer mounting hardware.
2. Use the top and bottom holes in each set for a total of 8 screws.
3. If necessary, install thicker plywood in the area you intend to mount the rack, if you cannot screw into the steel tube use 3/4 inch plywood.



Step 6

After mounting the rack install the sliding jaw assembly and leave it loose for now, it will be adjusted to fit your equipment later.

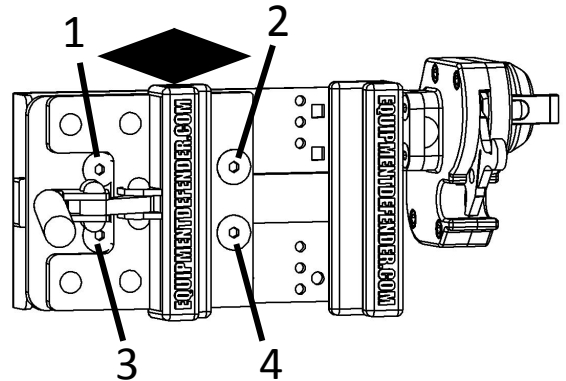
Helpful Hint: Install the top bolt into the bar nut first then drop the assembly into position and install the bottom bolt, this method makes assembly very easy.



Adjusting the Rack

The rack must be adjusted so the chainsaw fits very tight into the jaws of the rack, use the 4 screws shown to slide the entire jaw assembly.

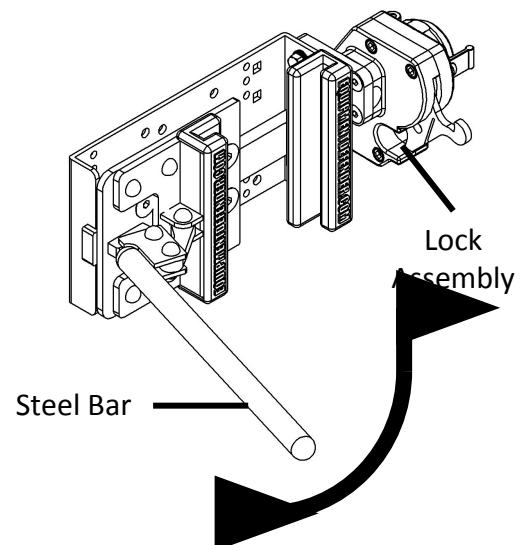
YOU MUST TEST TO ENSURE YOU CAN NOT PULL THE EQUIPMENT OUT OF THE RACK WHEN THE STEEL BAR IS LATCHED.



Rotating the steel bar slides the jaws apart/together.

Lock the equipment into the rack by rotating the bar and latching the end into the lock assembly.

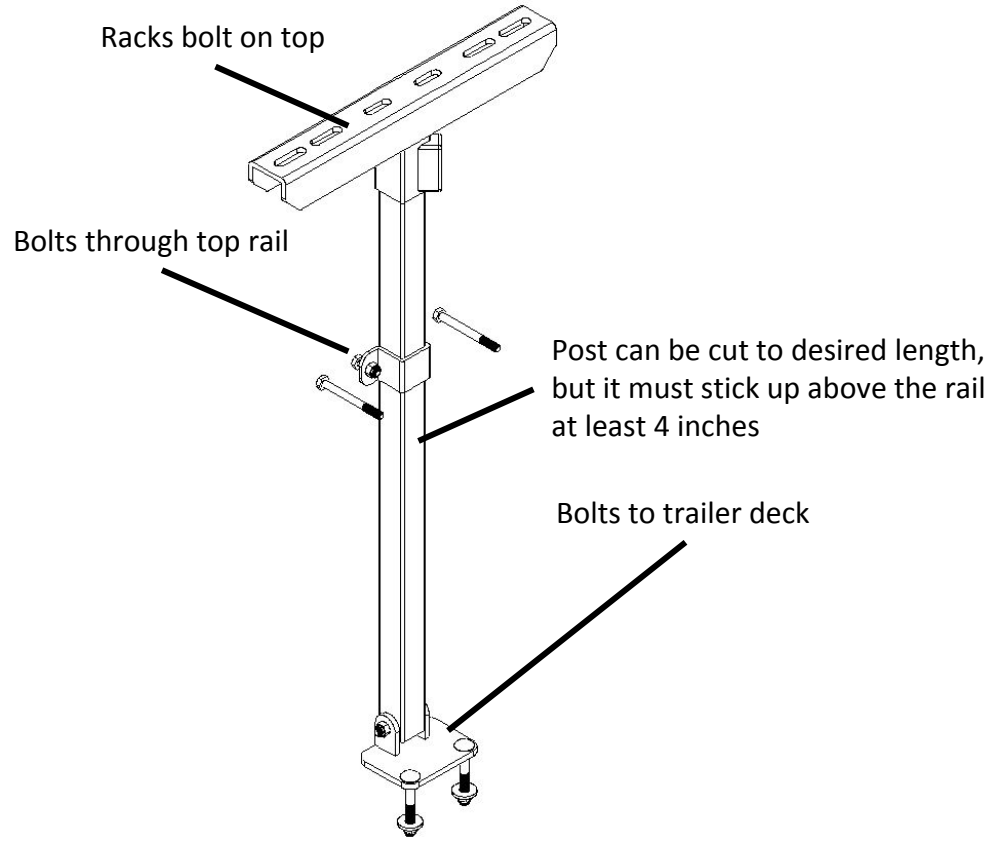
YOU MUST TEST TO ENSURE YOU CAN NOT PULL THE EQUIPMENT OUT OF THE RACK WHEN THE STEEL BAR IS LATCHED.



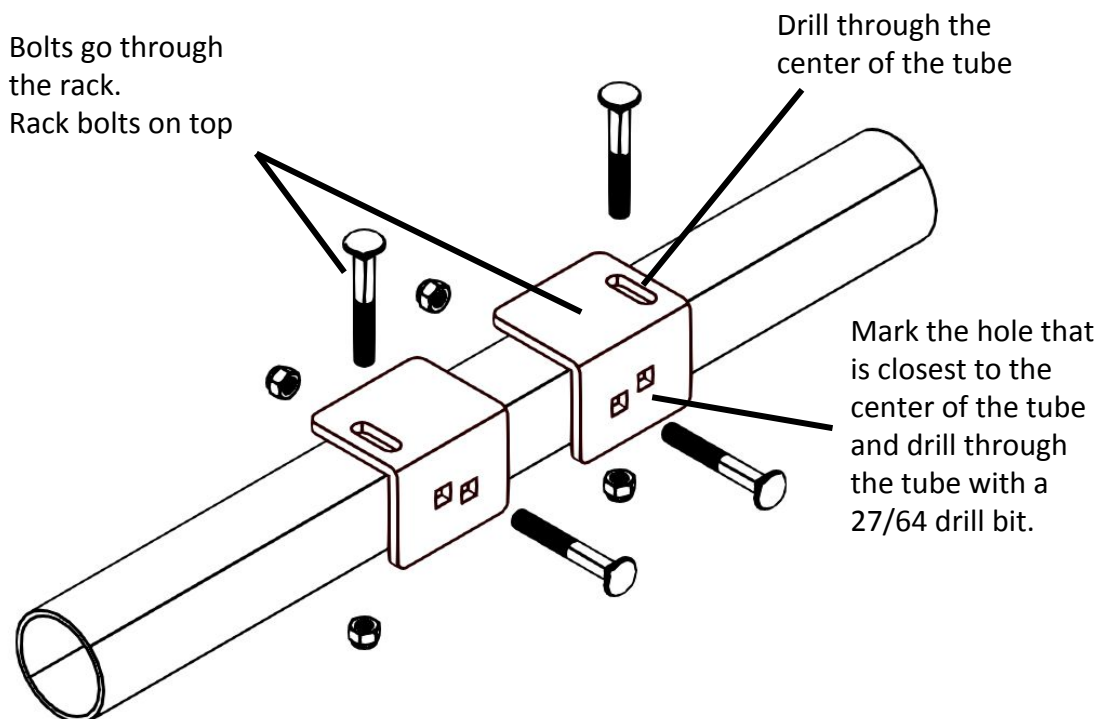


Open Trailer Mounting Post (sold separately)

This mounting post is a great option for trailers with weak top rails.



Round Rail Brackets (sold separately)

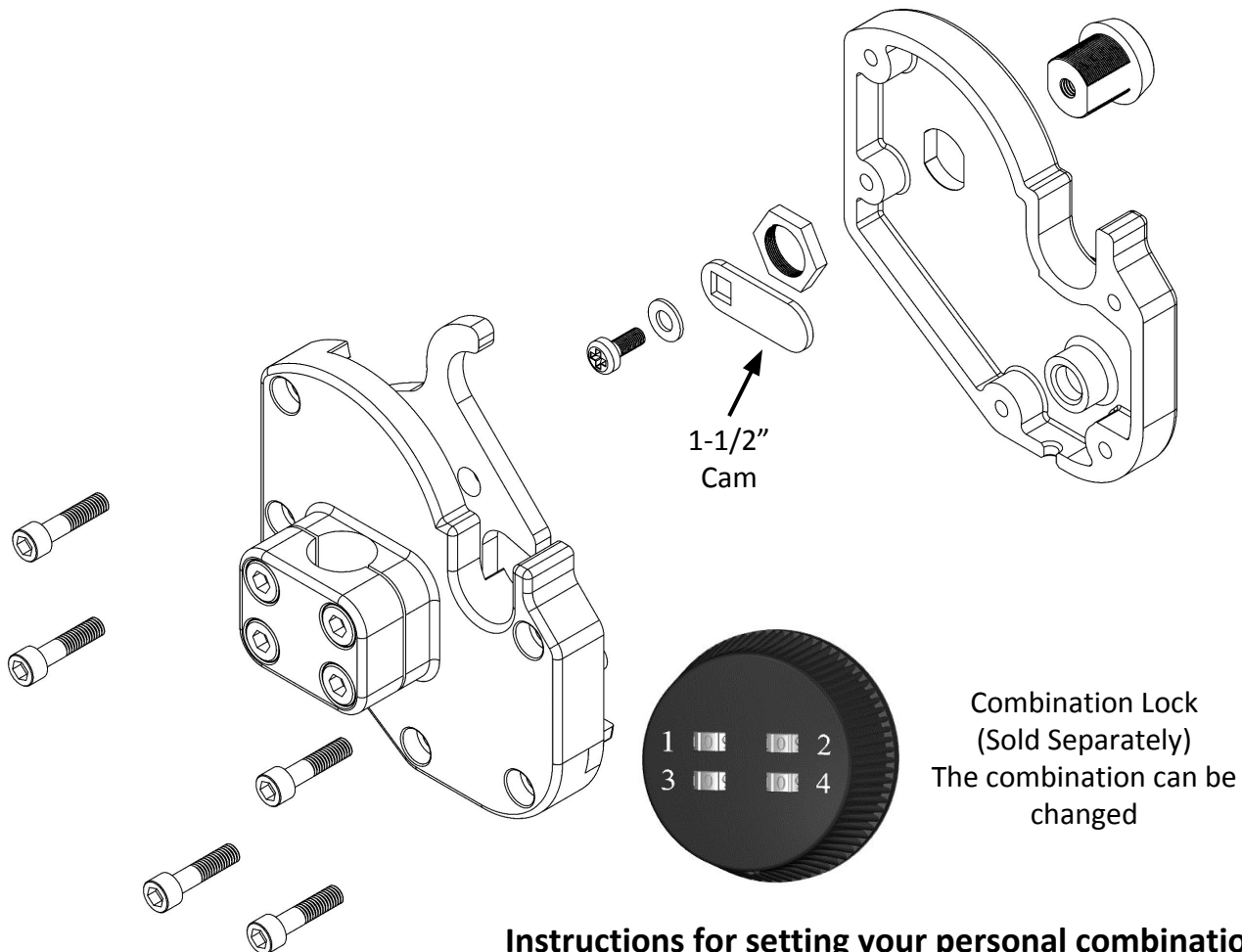


Changing the lock

Equipment Defender offers a combination lock (sold separately.)

1. Remove the screws that hold the two sides of the lock housing together. This will require a tamper resistant tip hex wrench (included)
2. Remove the existing lock.
3. Install the new lock.

Note: If you wish to achieve maximum security bolt/screw heads can be filled with epoxy.



Instructions for setting your personal combination:

- The combination is factory set at >>0-0-0-0<<
- Combination must be on opening number prior to resetting
- On the underside outer edge of the lock there is a hole for the code reset button. Rotate the face of cam until the code reset button comes into view.
- Push this pin in with a paper clip and keep it pushed in
- Set your personal combination by turning the dials to the desired combination – starting with the dial marked '1', and moving to '2', '3', and then '4'.
- Release the reset button and your combination is set.
- To lock, rotate lock to "locked" position. Rotate one or more dials after lock is closed. To open the lock, turn dials to your personal combination.