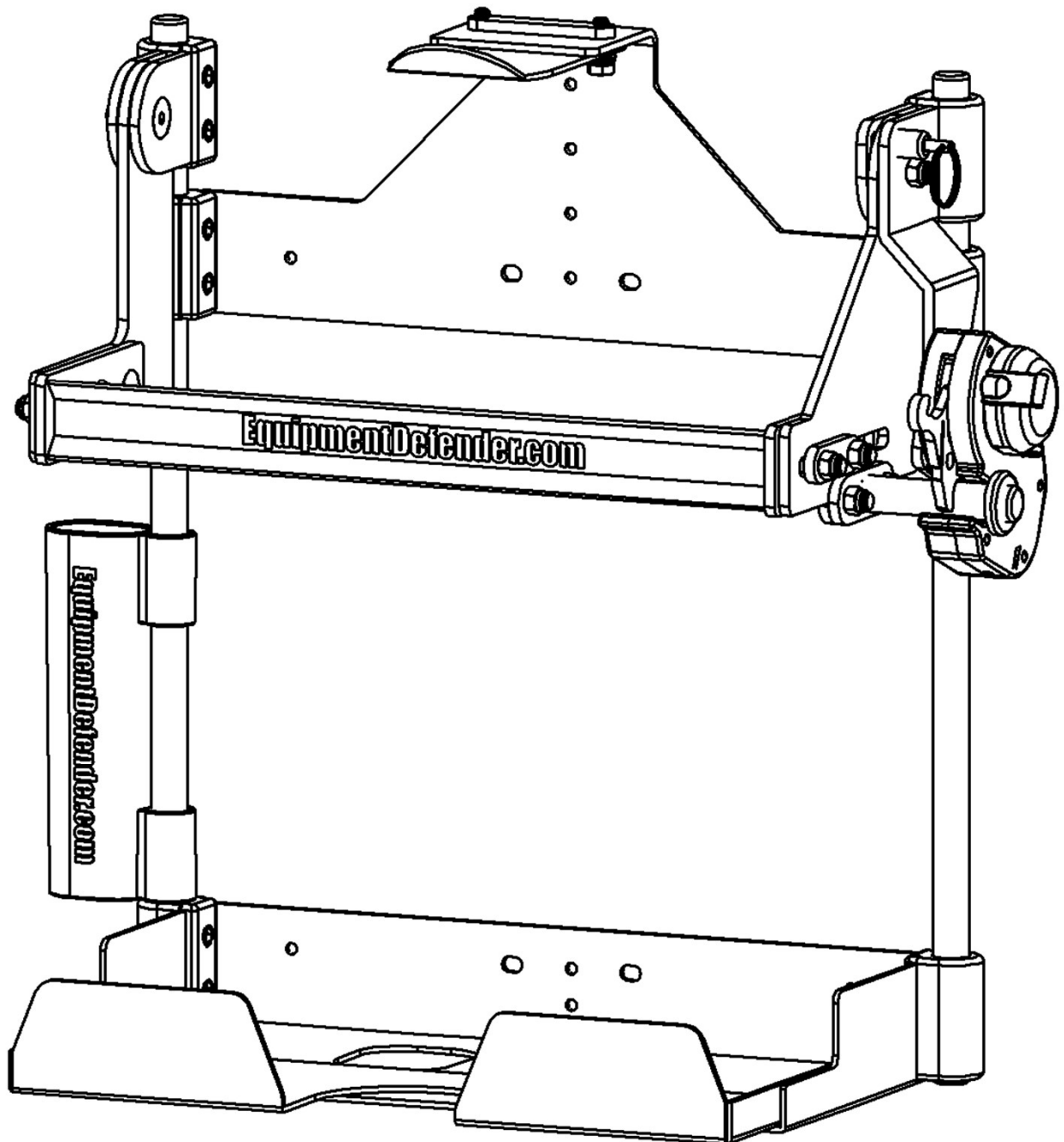


Equipment Defender

Backpack Sprayer rack

Assembly Instructions



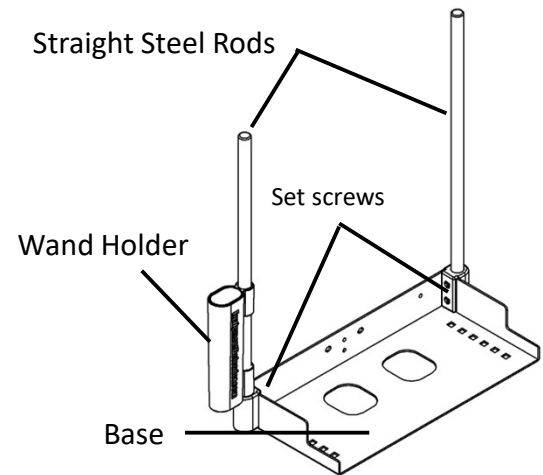
Patents Pending

EquipmentDefender.com

- Make sure all set screws are VERY tight.
- Note: If you wish to achieve maximum security screw heads can be filled with epoxy.

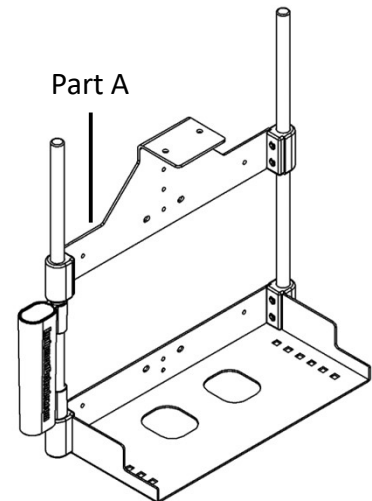
Step One

1. Slide the wand holder onto one of the steel rods.
The holder fits tightly onto the rod, dish soap helps slide it on.
2. Insert the straight steel rods into the base.
3. Tighten the set screws.



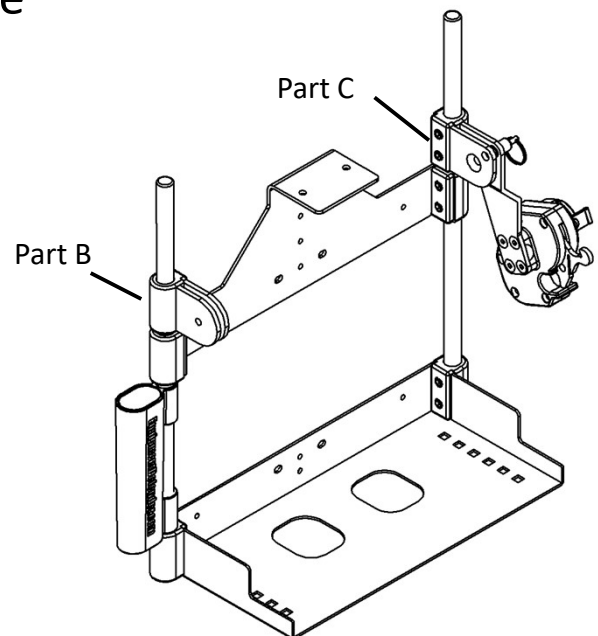
Step Two

Slide Part A onto the steel rods. Leave the set screws loose for now.



Step Three

Slide Part B & C onto the steel rods. Leave the set screws loose for now.

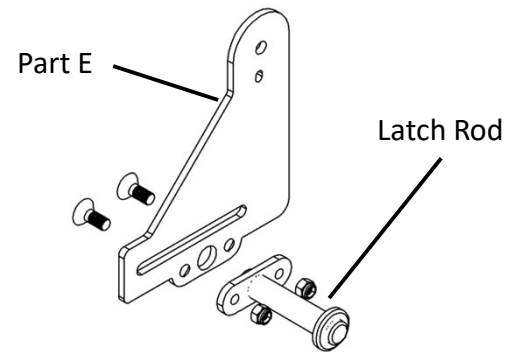


- Make sure all set screws are VERY tight.
- Note: If you wish to achieve maximum security screw heads can be filled with epoxy.

Step Four

Install part D onto part E
Tighten the bolts then install the nuts.

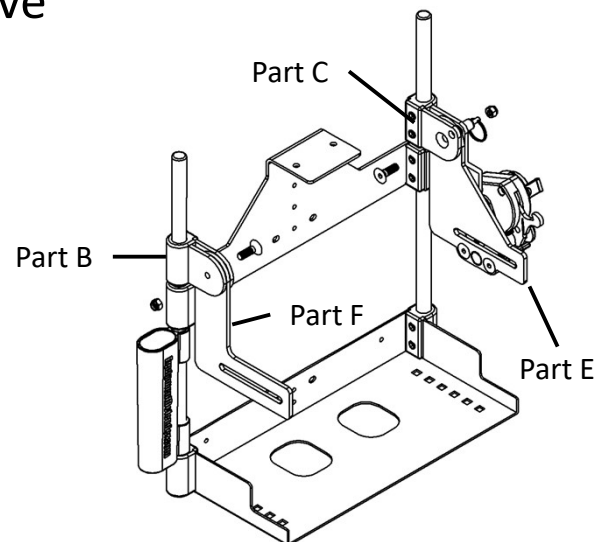
Use hardware packet "Latch Rod"



Step Five

1. Install part E onto part C.
2. Install part F onto Part B.
3. Snug the screws (don't over tighten them.)
4. Install the nuts (tighten them good)

Use hardware packet "Assembly Hardware"

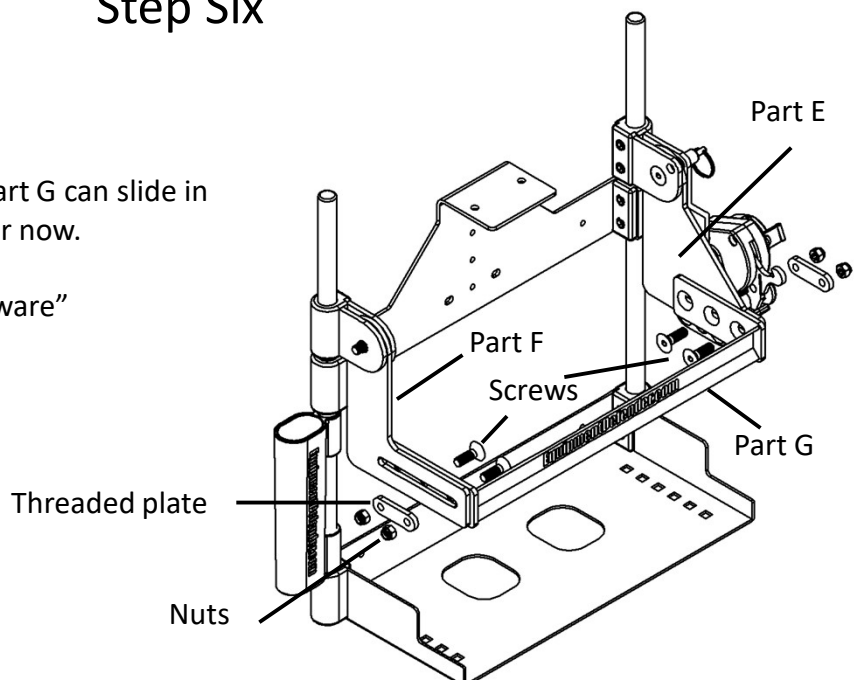


Step Six

1. Install part G onto parts E and F.

Leave the screws loose enough that part G can slide in and out and put the nuts on loosely for now.

Use hardware packet "Assembly Hardware"

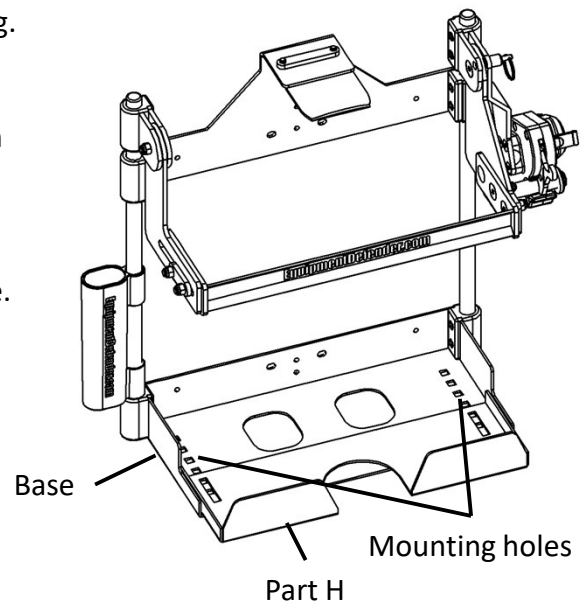


Mounting The Rack On Open Trailers

Adjust the rack to fit the sprayer securely AFTER mounting.
(See Adjusting the rack to fit the backpack sprayer.)

1. Set the rack onto the trailer rail in the desired location and mark the hole location, drill with a 27/64 drill bit.
2. Set your sprayer into the rack and adjust part H so the sprayer fits in easily but without too much extra space.
3. Part H can be secured to the base with the mounting bolts or with a second set of short carriage bolts.

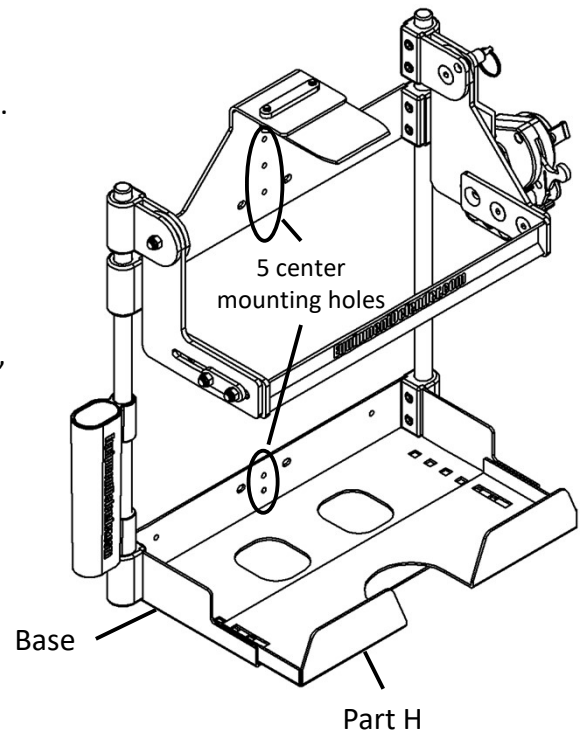
Use Hardware packet
"Open Trailer Mounting Hardware"



Mounting The Rack On Enclosed Trailers

Adjust the rack to fit the sprayer securely BEFORE mounting.
(See Adjusting the rack to fit the backpack sprayer.)

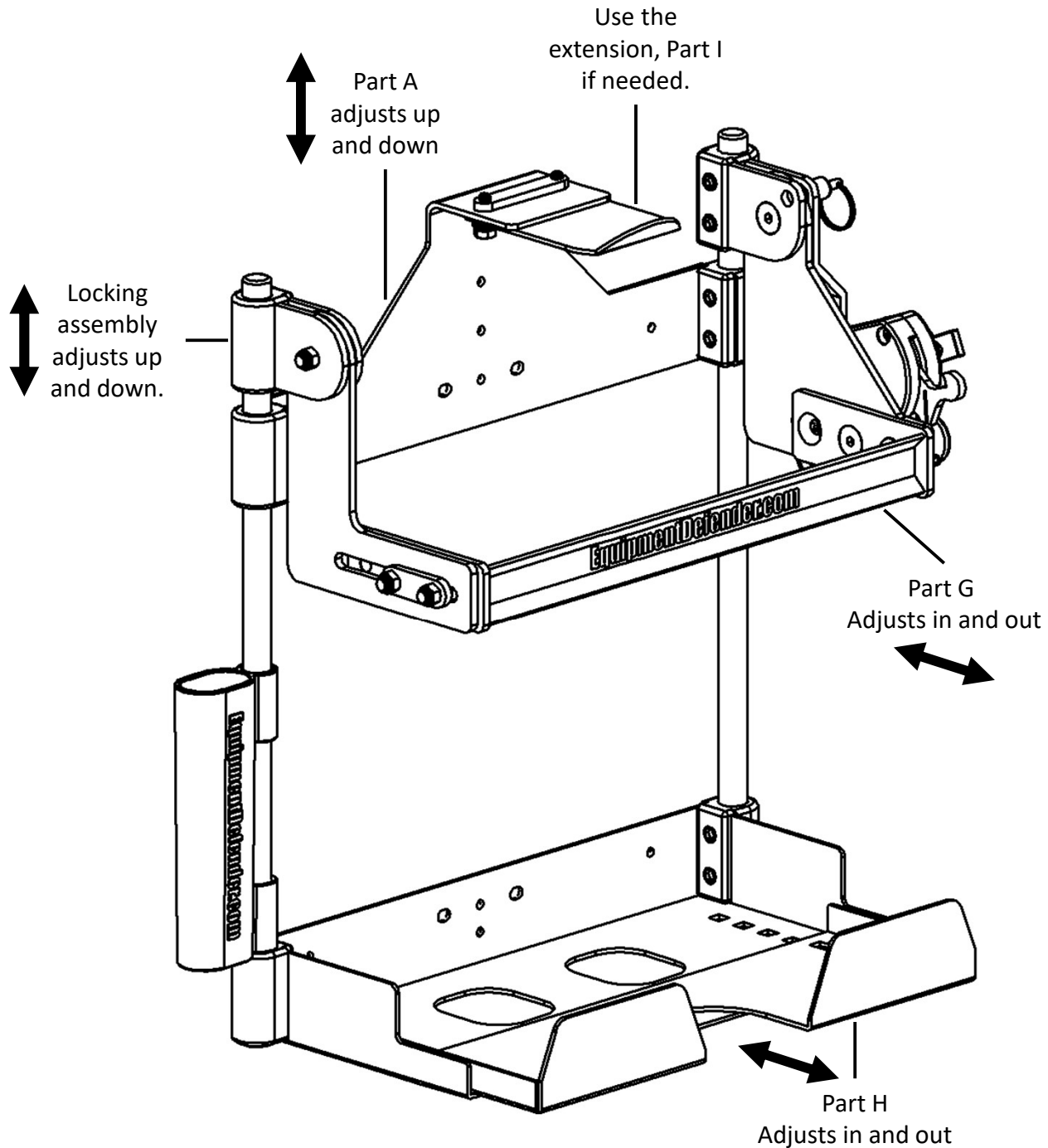
1. Screw the rack directly to the trailer wall, using the 5 center mounting holes, screw through the plywood and into the steel frame. Also use the holes to the left and right, these screws can just screw into the plywood. Use Hardware Packet "Enclosed Trailer Mounting Hardware."
2. Set your sprayer into the rack and adjust part H so the sprayer fits in easily but without too much extra space. Bolt Part H to the base with 2 short carriage bolts from Hardware Packet "Open Trailer Mounting Hardware"



Adjusting the rack to fit your backpack sprayer

Adjust the rack so the blower fits in as tight as possible.

1. Set the sprayer into the rack to make adjustments.
2. The rack must be adjusted to fit your sprayer securely.
3. Test your adjustments to ensure the sprayer can't be pulled out with the rack locked.
4. Use the extension, Part I if needed.



Pump handle outside of locking assembly

Set the sprayer into the rack to make the adjustments.

Wand Holder

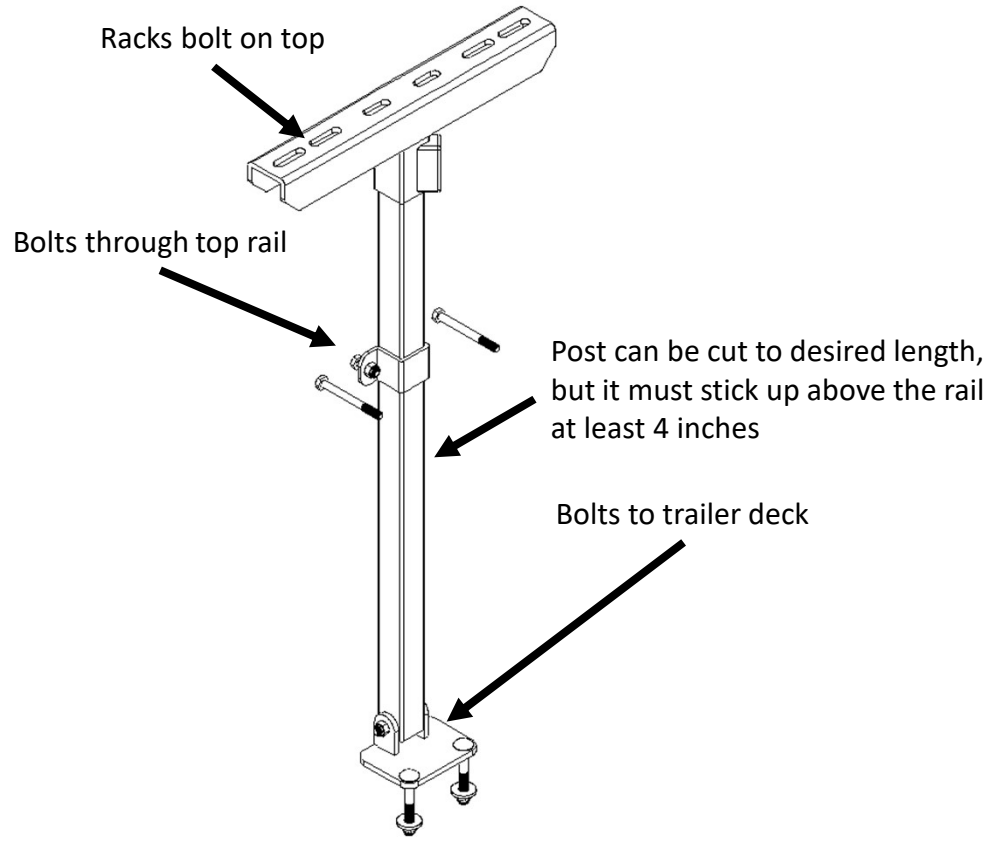


Pump handle inside of locking assembly

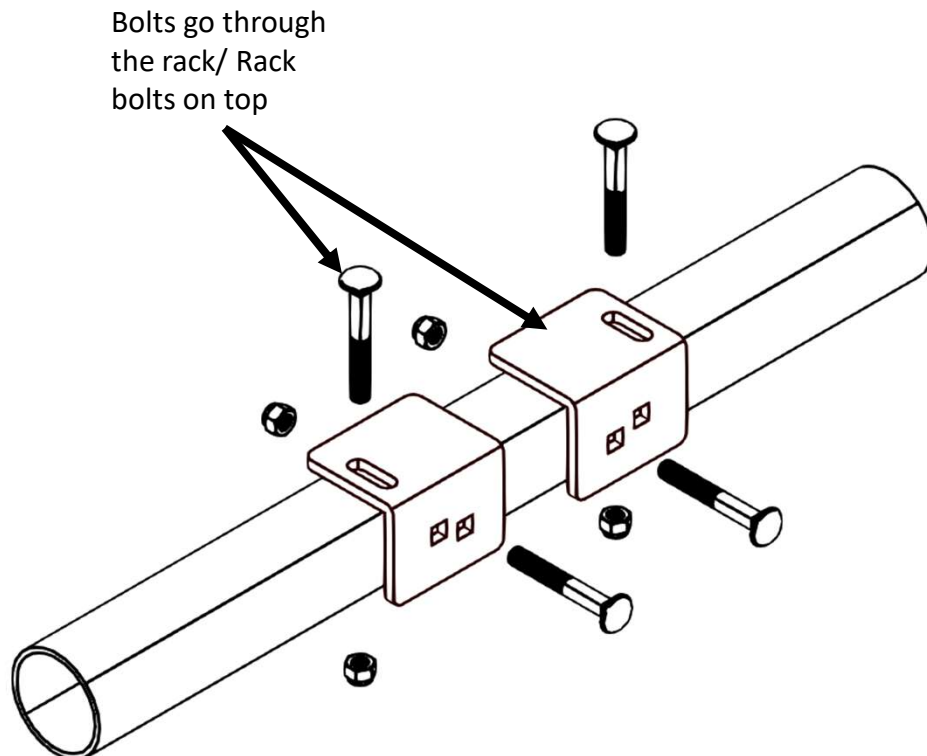


Open Trailer Mounting Post (sold separately)

This mounting post is a great option for trailers with weak top rails.



Round Rail Brackets (sold separately)

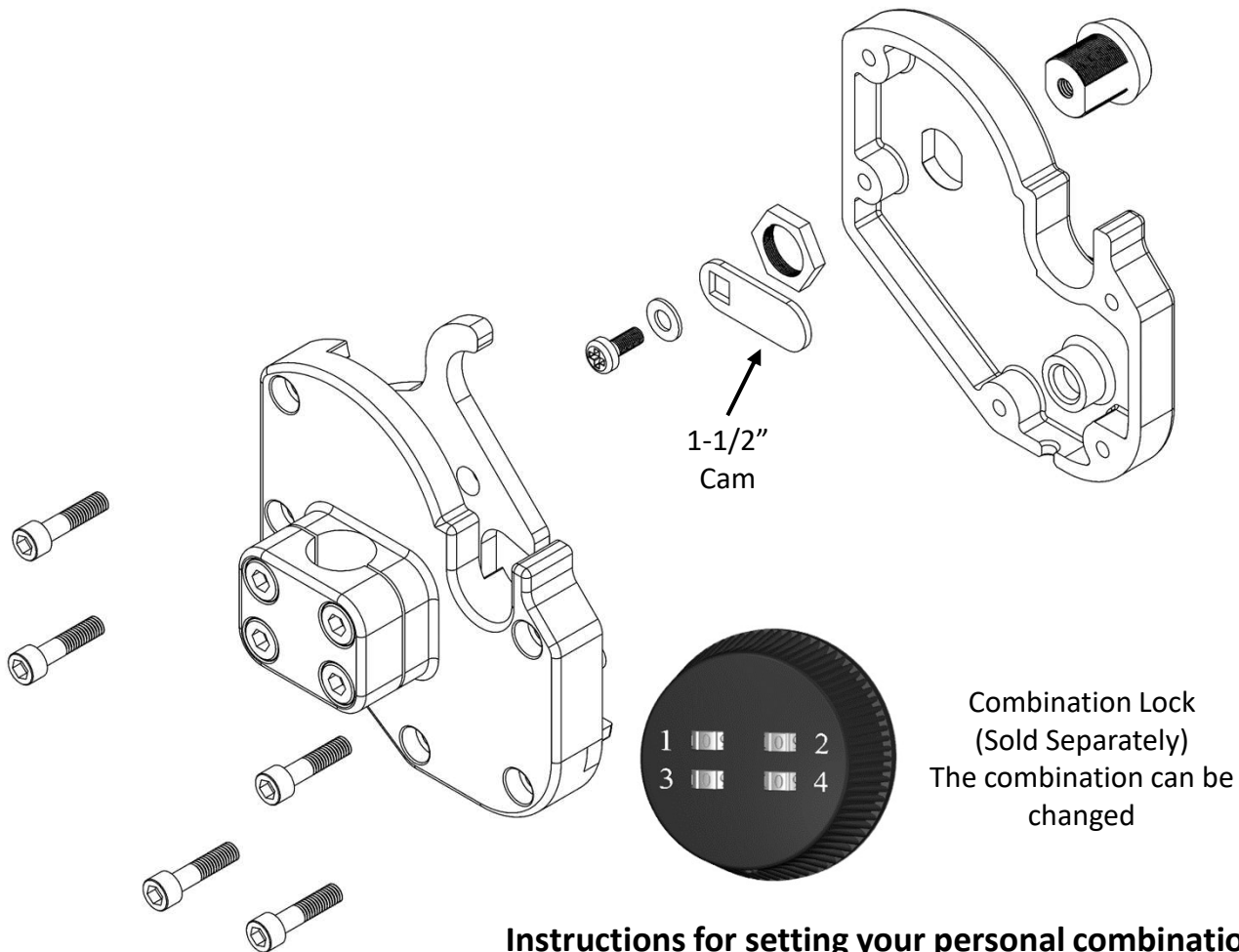


Changing the lock

Equipment Defender offers a combination lock (sold separately.)

1. Remove the screws that hold the two sides of the lock housing together. This will require a tamper resistant tip hex wrench (included)
2. Remove the existing lock.
3. Install the new lock.

Note: If you wish to achieve maximum security bolt/screw heads can be filled with epoxy.



Instructions for setting your personal combination:

- The combination is factory set at >>0-0-0-0<<
- Combination must be on opening number prior to resetting
- On the underside outer edge of the lock there is a hole for the code reset button. Rotate the face of cam until the code reset button comes into view.
- Push this pin in with a paper clip and keep it pushed in
- Set your personal combination by turning the dials to the desired combination – starting with the dial marked '1', and moving to '2', '3', and then '4'.
- Release the reset button and your combination is set.
- To lock, rotate lock to "locked" position. Rotate one or more dials after lock is closed. To open the lock, turn dials to your personal combination.