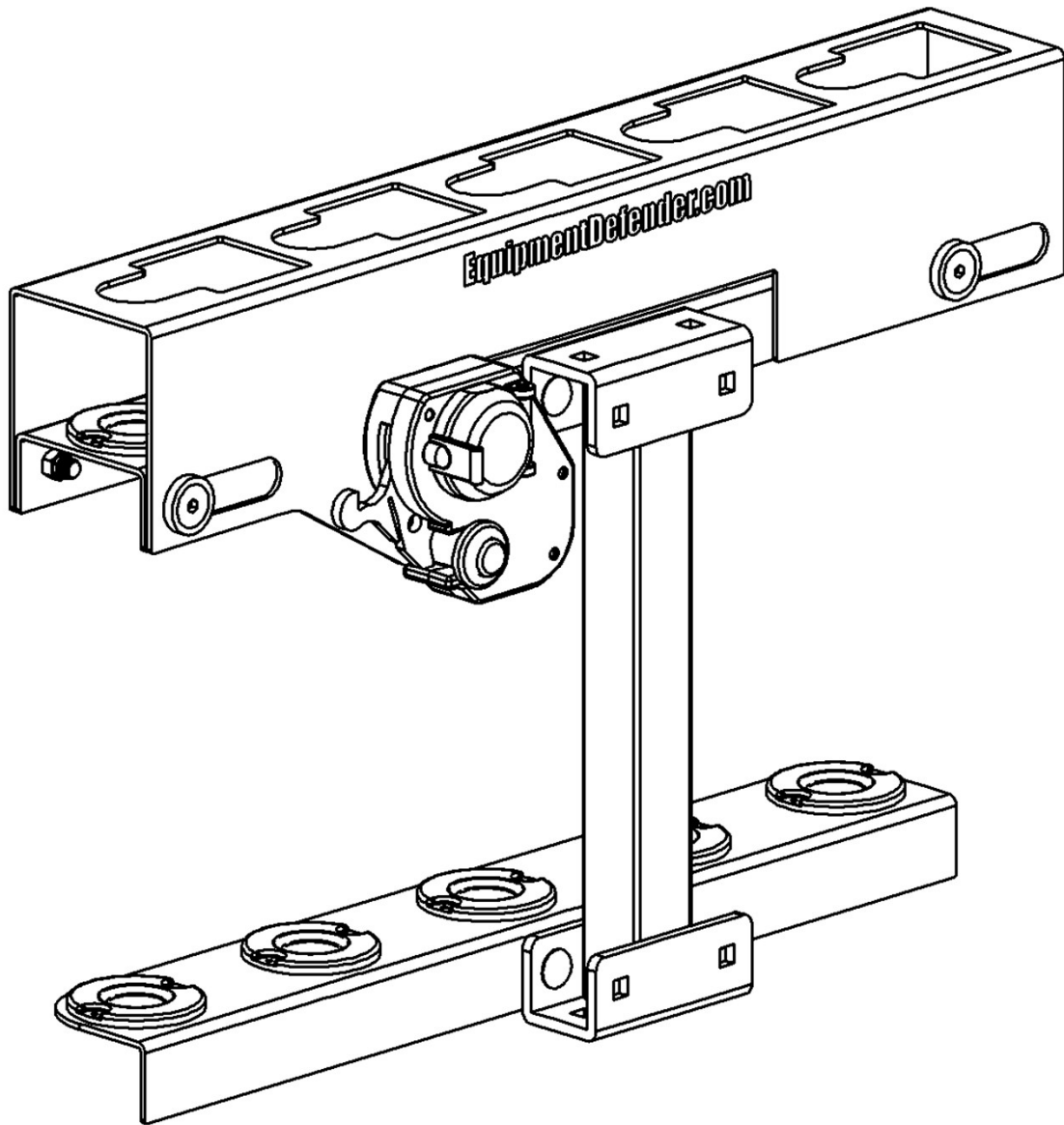


Equipment Defender

PAS/Kombi Rack

Assembly Instructions

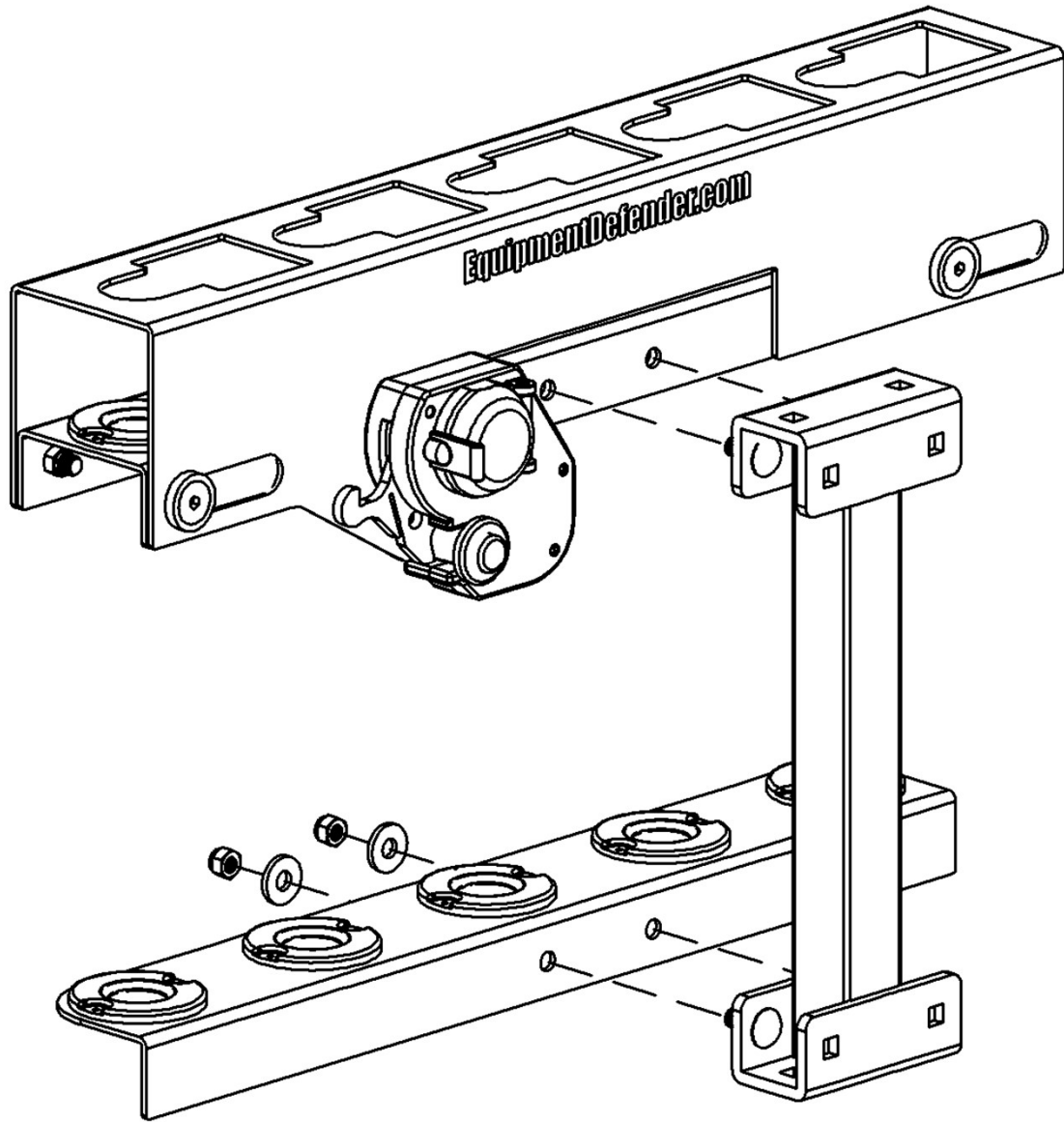


Patents Pending

EquipmentDefender.com

Assembly Diagram

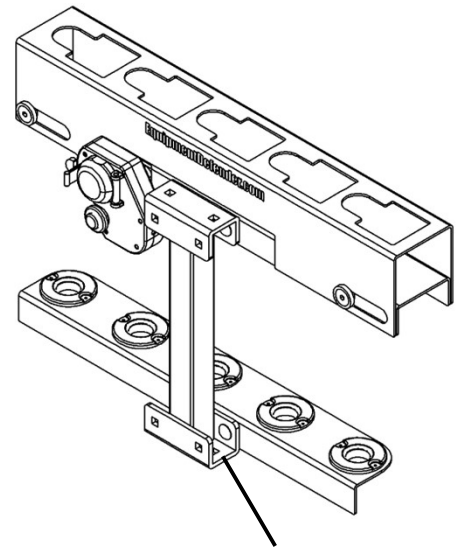
Use Hardware packet "ASSEMBLY HARDWARE"



Mounting The Rack On Open Trailers

Set the rack onto the trailer rail in the desired location and mark the hole location, drill with a 27/64 drill bit.

Use Hardware packet:
"Open Trailer Mounting Hardware"



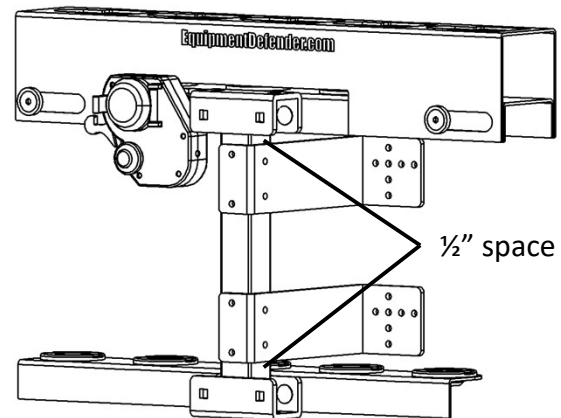
Mounting Holes

Mounting The Rack On Enclosed Trailers

(Enclosed trailer mounting brackets sold separately)

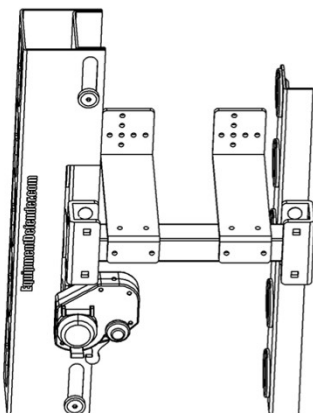
1. Screw the enclosed trailer brackets onto the square tube using the self drilling/tapping screws (included), leave approximately $\frac{1}{2}$ " space as indicated.
2. Screw the rack onto the trailer wall. The brackets are designed so the rack can be mounted vertical or horizontal or any angle in between. Note it may be necessary to screw $\frac{3}{4}$ " plywood onto the wall if the existing plywood is too thin.

Vertical mount

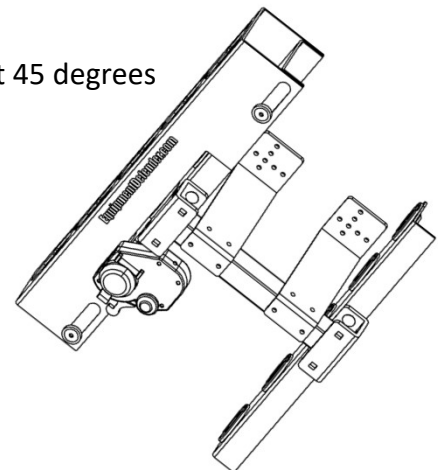


$\frac{1}{2}$ " space

Horizontal mount

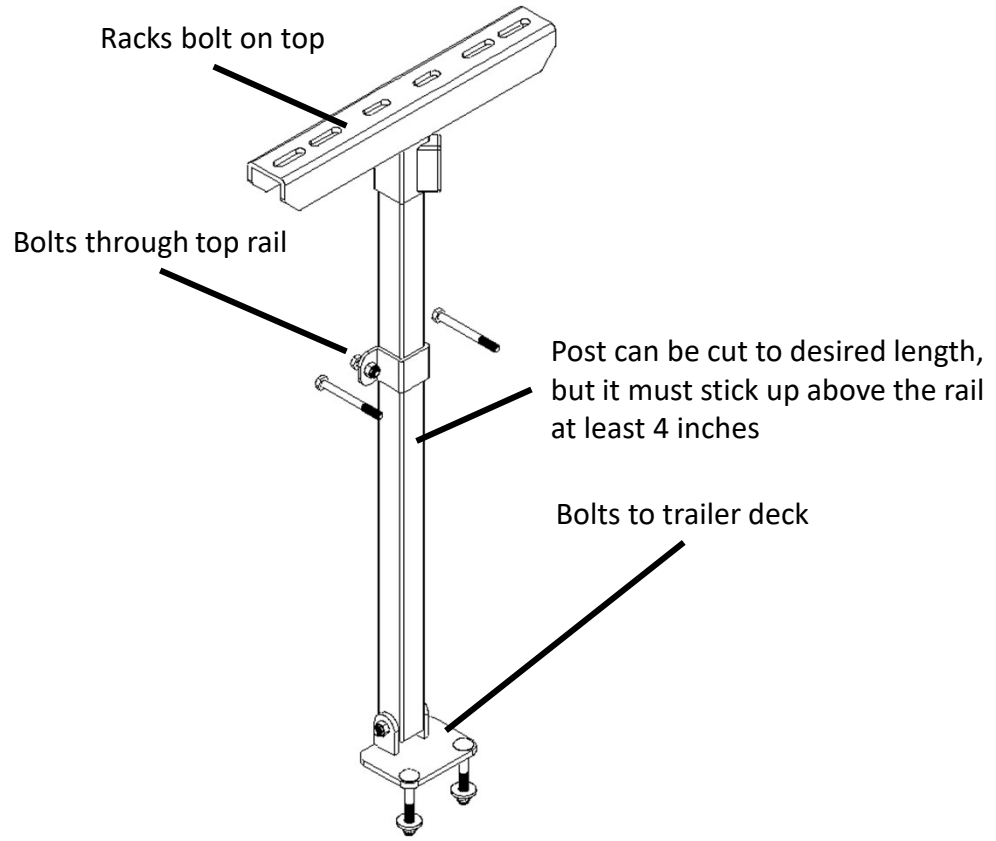


Mounted at 45 degrees

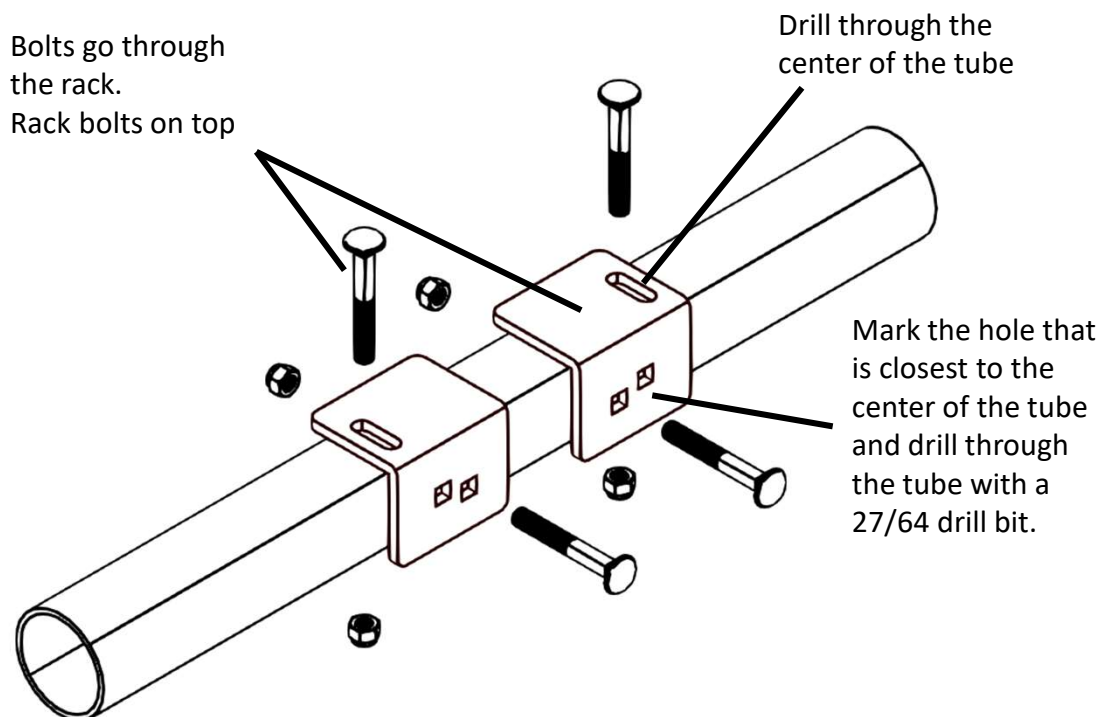


Open Trailer Mounting Post (sold separately)

This mounting post is a great option for trailers with weak top rails.



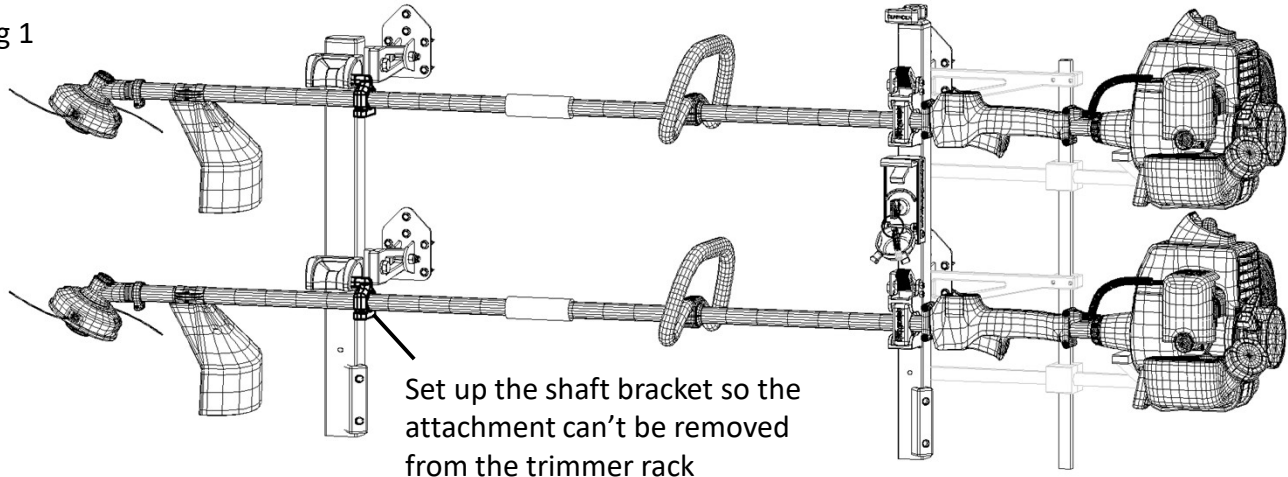
Round Rail Brackets (sold separately)



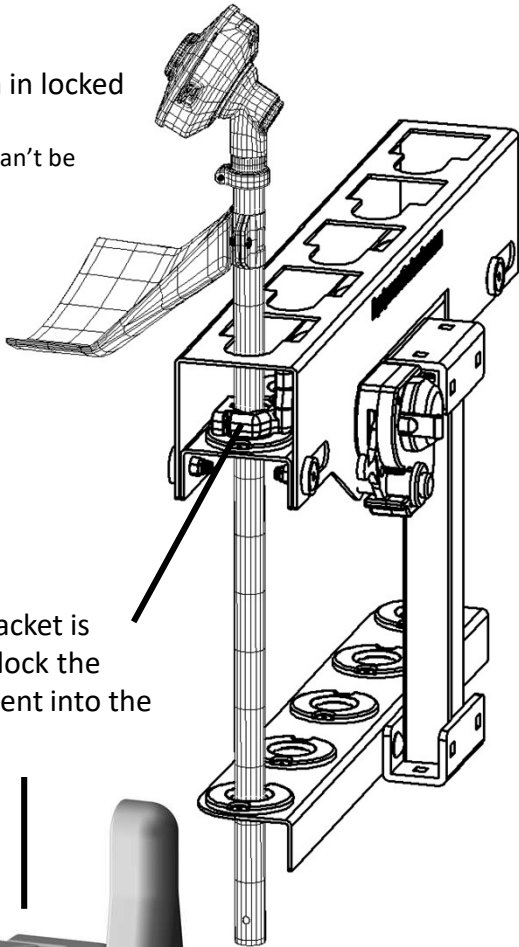
Using The Rack

Each attachment requires a support side shaft bracket (sold separately.) Fig 1 shows proper setup of the shaft bracket when used on a split shaft attachment, this method locks the attachment into the Equipment Defender line trimmer rack and it also sets the attachment up to be used with the PAS/Kombi rack.

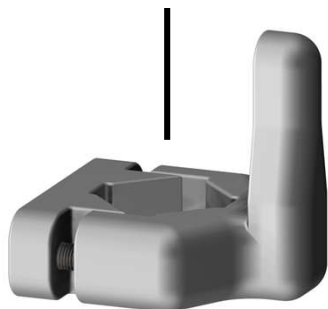
Fig 1



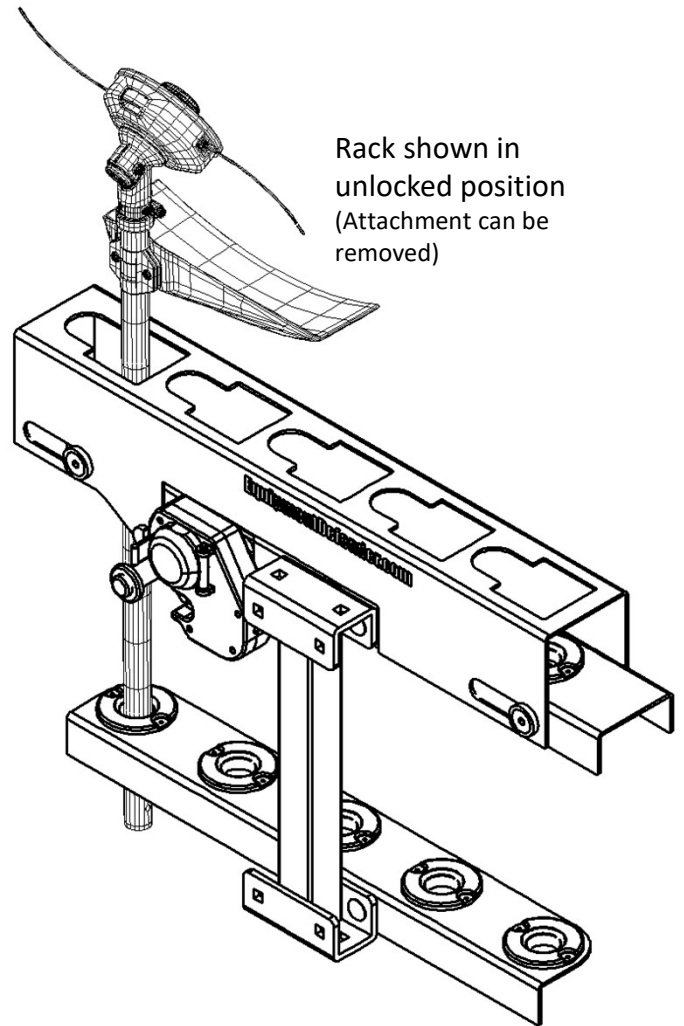
Rack Shown in locked position
(Attachment can't be removed)



Shaft bracket is used to lock the attachment into the rack



Rack shown in unlocked position
(Attachment can be removed)

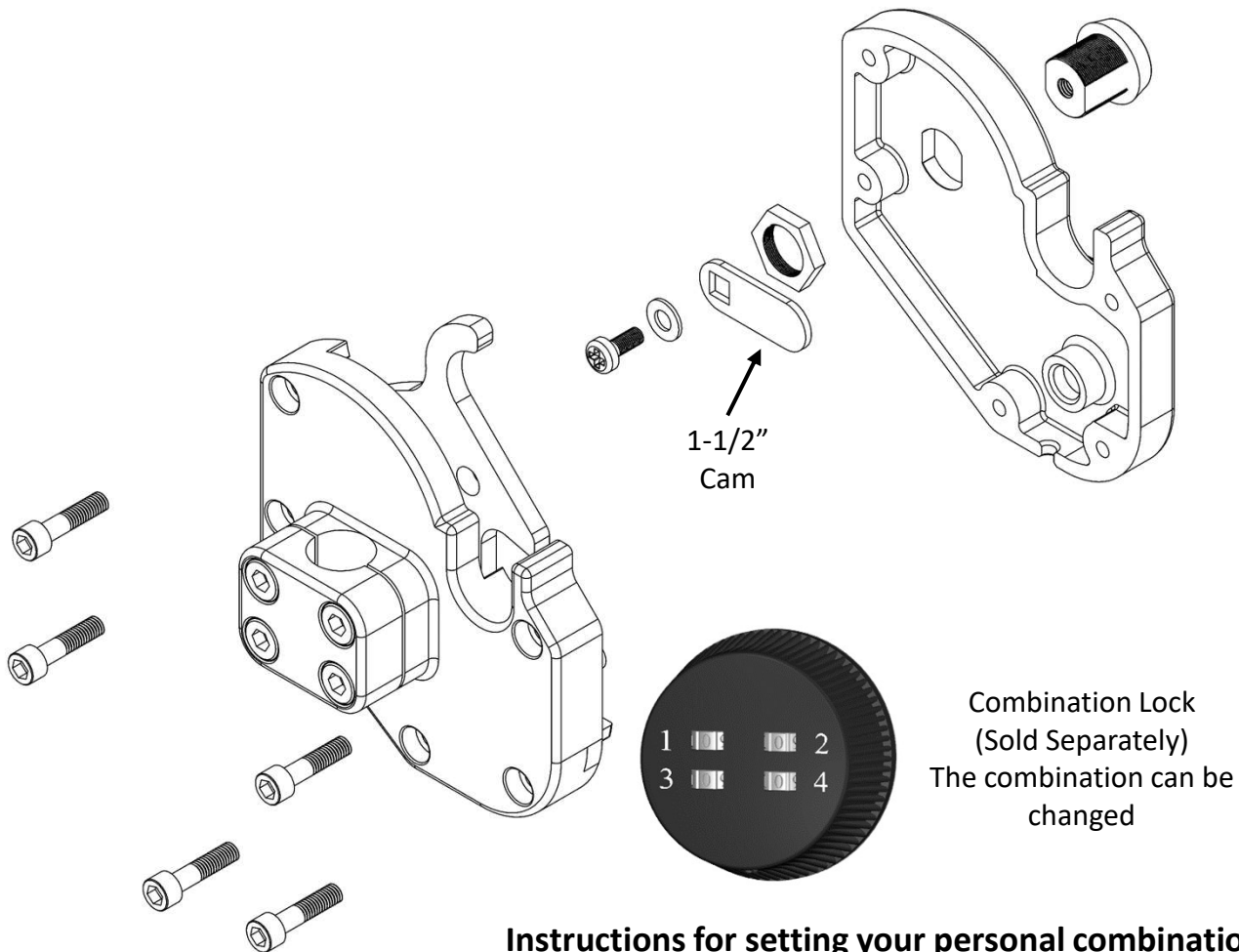


Changing the lock

Equipment Defender offers a combination lock (sold separately.)

1. Remove the screws that hold the two sides of the lock housing together. This will require a tamper resistant tip hex wrench (included)
2. Remove the existing lock.
3. Install the new lock.

Note: If you wish to achieve maximum security bolt/screw heads can be filled with epoxy.



Instructions for setting your personal combination:

- The combination is factory set at >>0-0-0-0<<
- Combination must be on opening number prior to resetting
- On the underside outer edge of the lock there is a hole for the code reset button. Rotate the face of cam until the code reset button comes into view.
- Push this pin in with a paper clip and keep it pushed in
- Set your personal combination by turning the dials to the desired combination – starting with the dial marked '1', and moving to '2', '3', and then '4'.
- Release the reset button and your combination is set.
- To lock, rotate lock to "locked" position. Rotate one or more dials after lock is closed. To open the lock, turn dials to your personal combination.