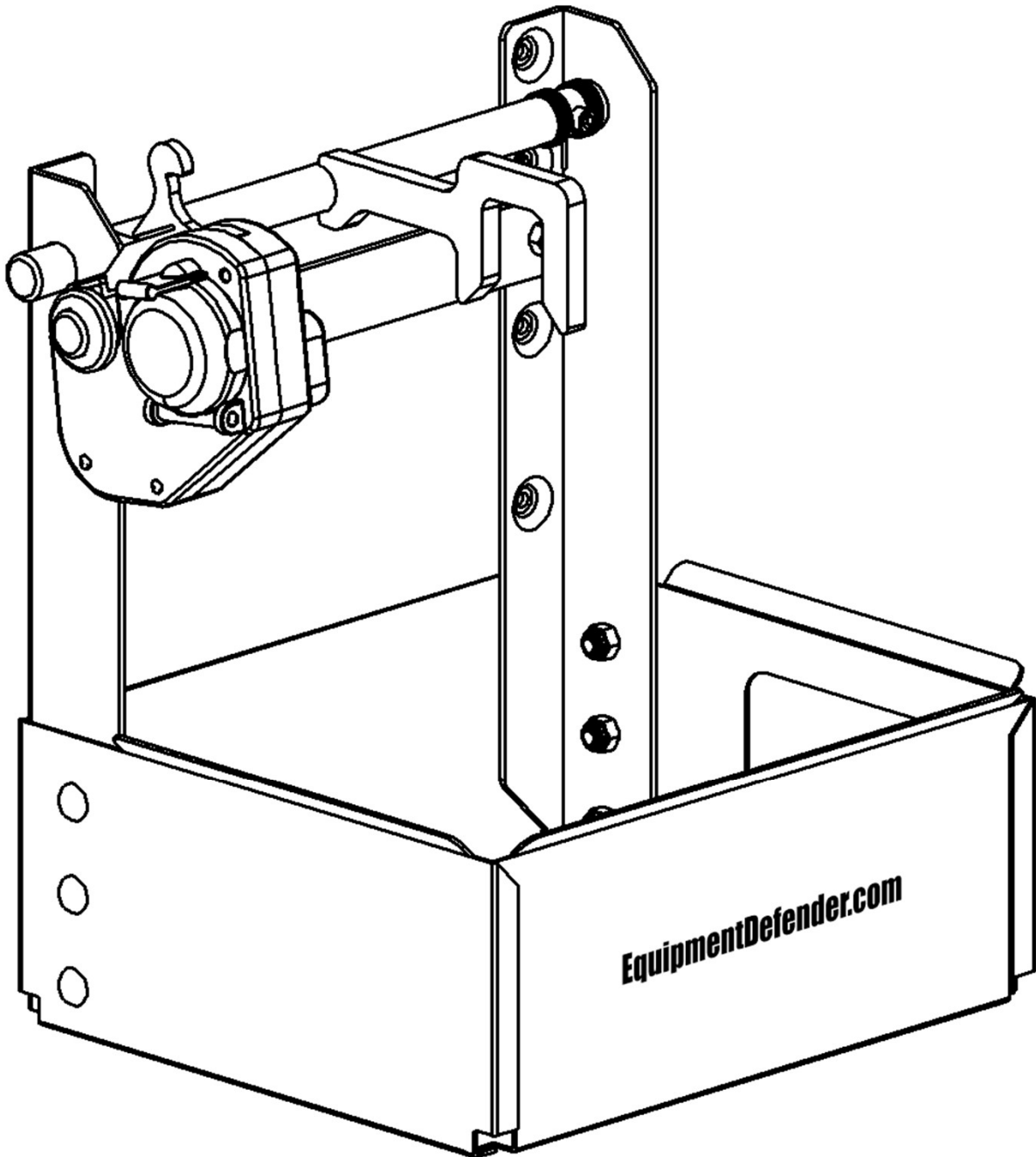


Equipment Defender

Handheld blower Rack

Assembly Instructions



Patents Pending

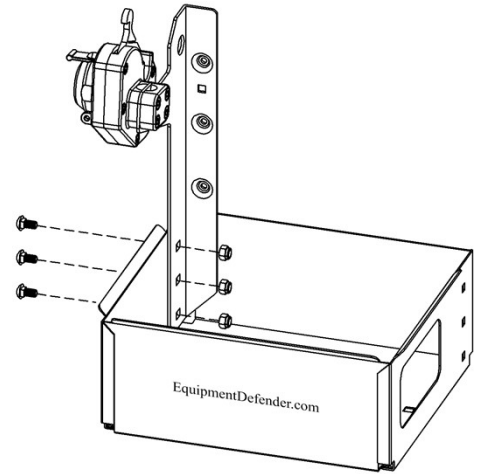
EquipmentDefender.com

Handheld Blower Rack Assembly Instructions

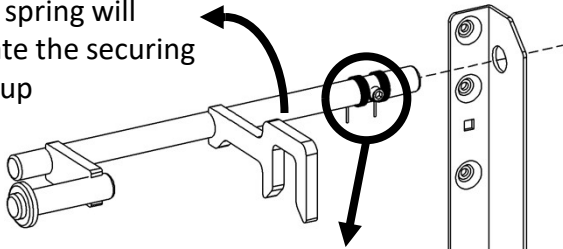
Step 1

Install the left hand bracket with the lock assembly attached.

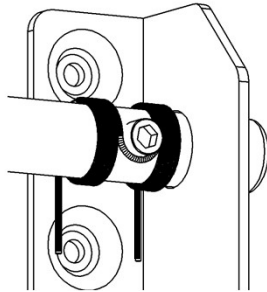
Use Hardware packet labeled: HANDHELD BLOWER RACK ASSEMBLY HARDWARE



The spring will rotate the securing bar up



The legs of the spring press against the L-bracket as shown and rotate the securing bar up



Step 2

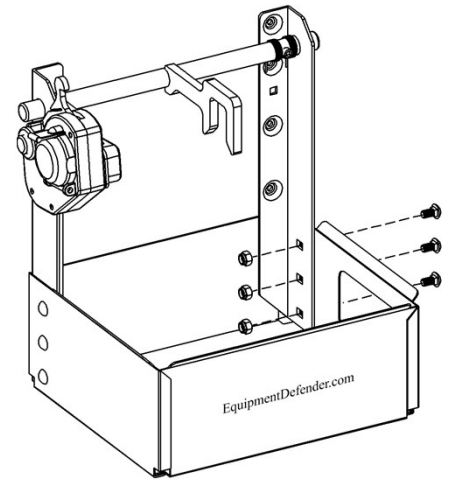
Insert the securing bar into the right hand bracket as shown



Step 3

Install the right hand bracket onto the base.

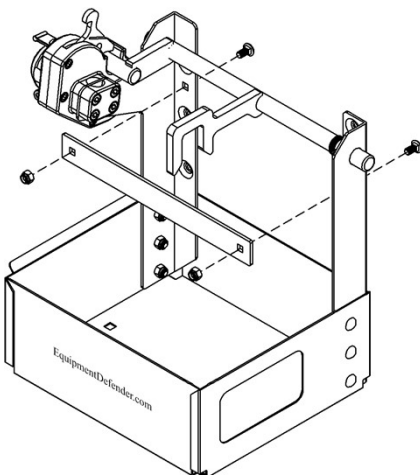
Use Hardware packet labeled: HANDHELD BLOWER RACK ASSEMBLY HARDWARE



Step 4

Install the tie strap

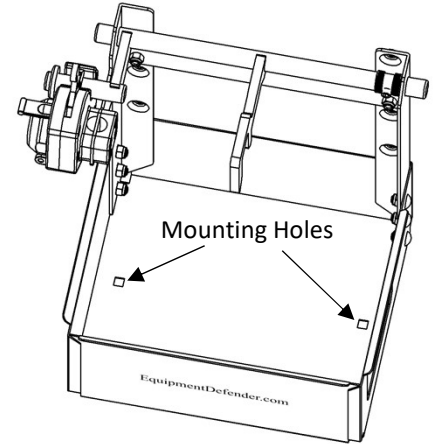
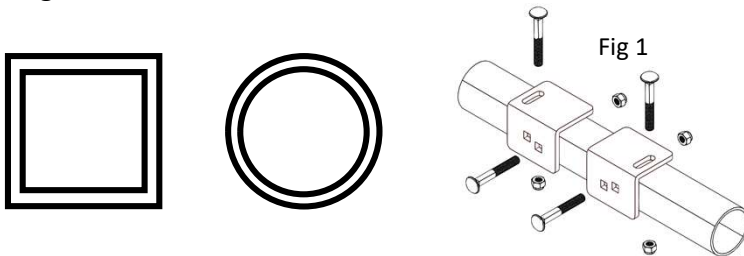
Use Hardware packet labeled: HANDHELD BLOWER RACK ASSEMBLY HARDWARE



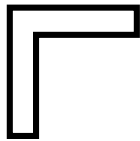
Mounting on open trailer rails

1. Use hardware packet labeled "OPEN TRAILER MOUNTING HARDWARE" Use a 27/64 drill bit for the mounting holes.
2. Hold the rack on the rail of your trailer and mark the location of hole 1&2, drill the holes and mount the rack using these two bolts.
3. Bolt the rack in place and then drill through holes 3&4 and through the trailer rail. And install the bolts.

If you have square or round tube top rails you can mount the rack anywhere. Round rail brackets are available (purchased separately) See fig 1

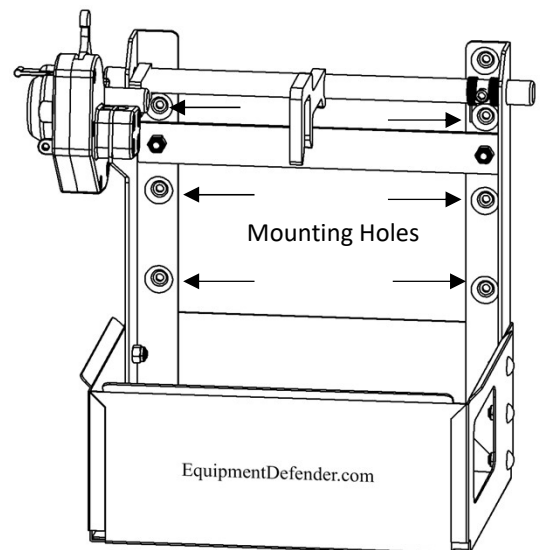


If you have angle iron rails you must mount directly over an upright support to control flexing of the rail.



Mounting on enclosed trailer walls

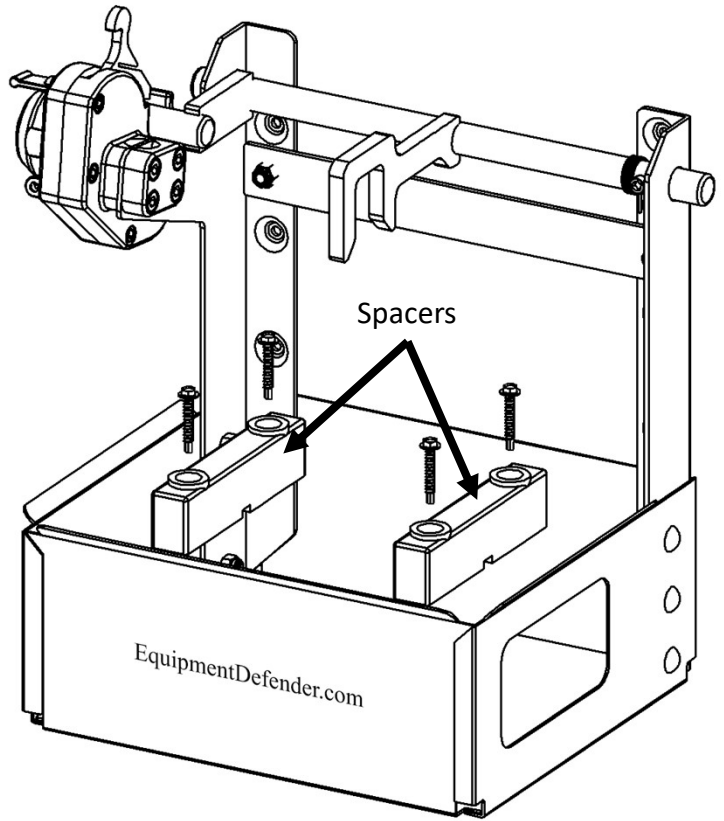
1. Use hardware packet labeled "ENCLOSED TRAILER/SPACER HARDWARE."
2. If necessary, install thicker plywood in the area you intend to mount the rack.



Install Spacers

The molded plastic spacers can be screwed to the base of the rack to ensure a good fit for any blower.

Use hardware packet labeled "Enclosed trailer/spacer hardware."



Echo



Stihl

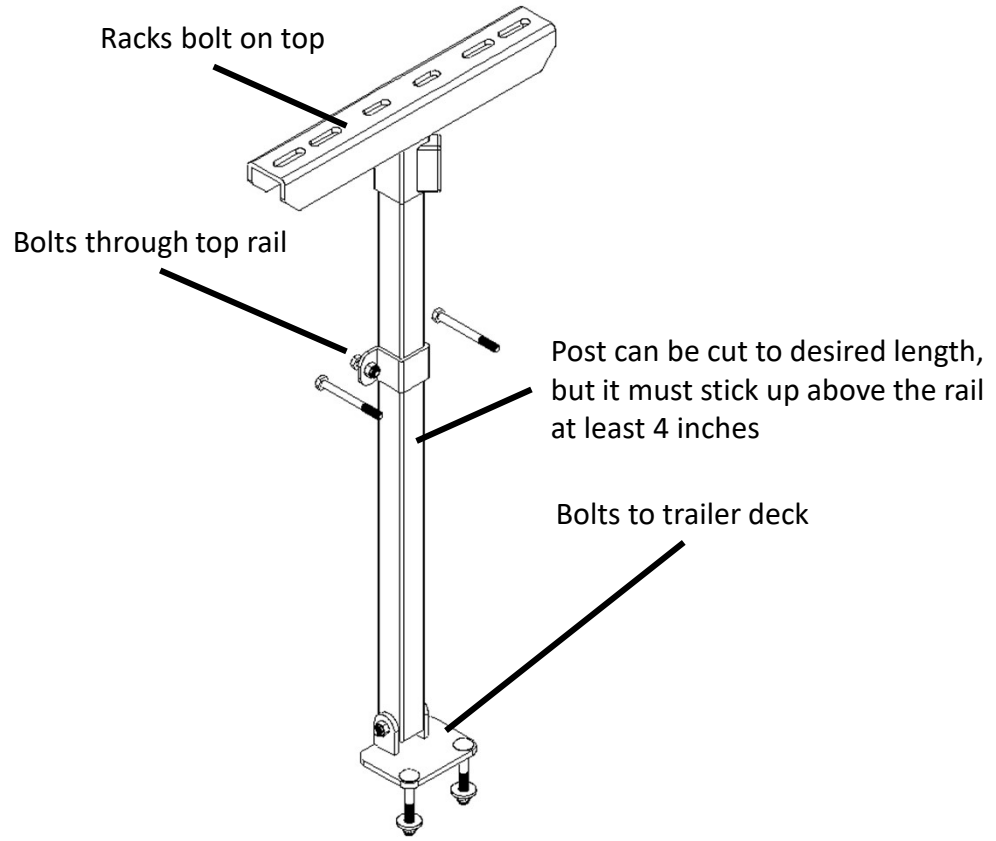


Husqvarna

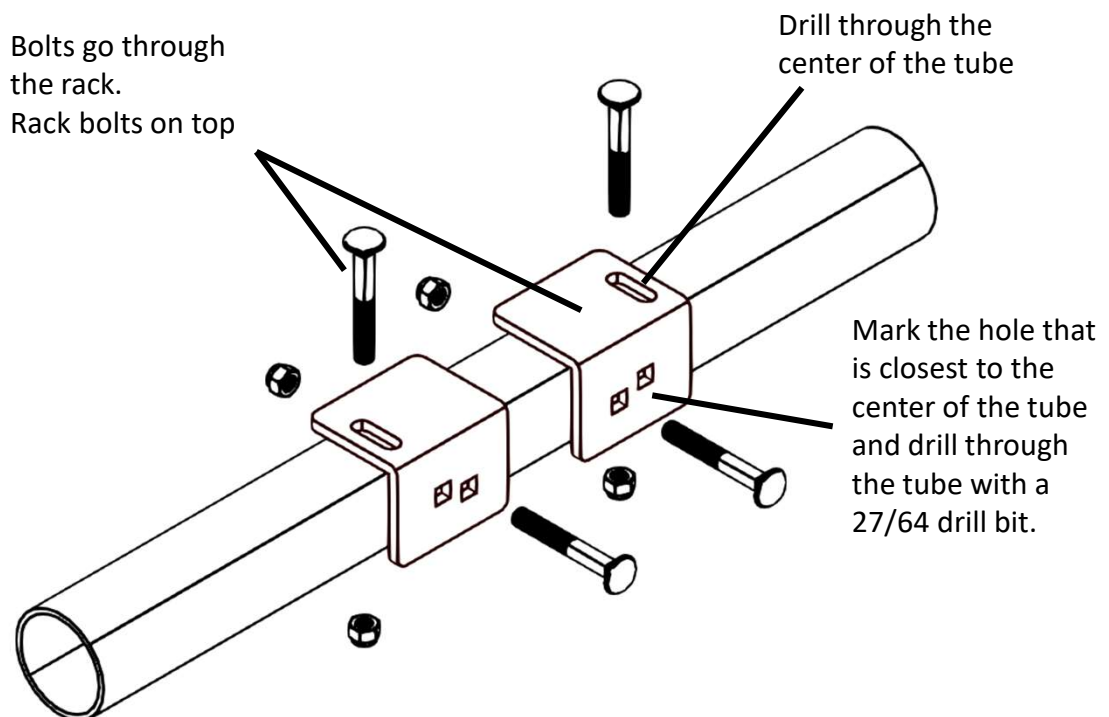


Open Trailer Mounting Post (sold separately)

This mounting post is a great option for trailers with weak top rails.



Round Rail Brackets (sold separately)

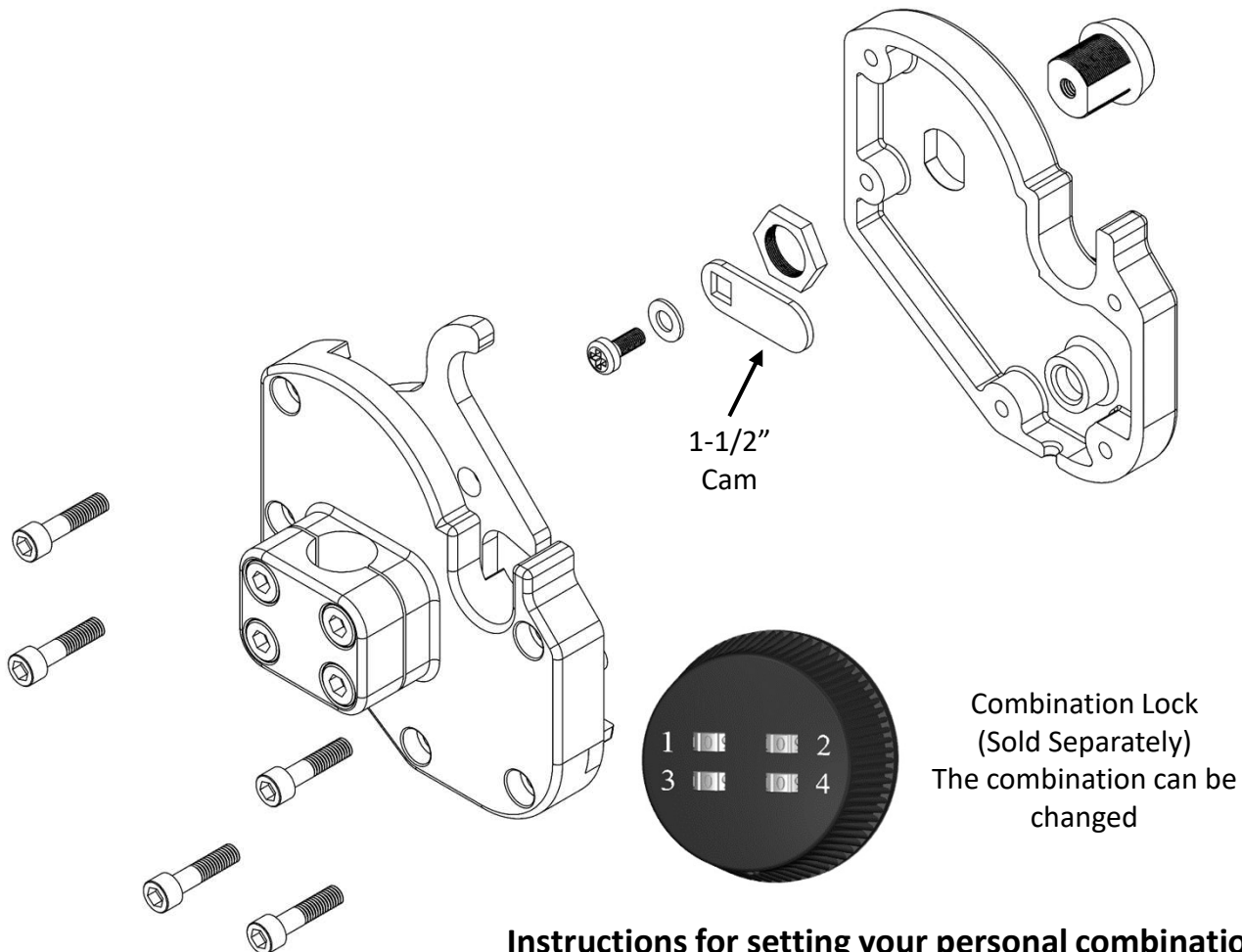


Changing the lock

Equipment Defender offers a combination lock (sold separately.)

1. Remove the screws that hold the two sides of the lock housing together. This will require a tamper resistant tip hex wrench (included)
2. Remove the existing lock.
3. Install the new lock.

Note: If you wish to achieve maximum security bolt/screw heads can be filled with epoxy.



Instructions for setting your personal combination:

- The combination is factory set at >>0-0-0-0<<
- Combination must be on opening number prior to resetting
- On the underside outer edge of the lock there is a hole for the code reset button. Rotate the face of cam until the code reset button comes into view.
- Push this pin in with a paper clip and keep it pushed in
- Set your personal combination by turning the dials to the desired combination – starting with the dial marked '1', and moving to '2', '3', and then '4'.
- Release the reset button and your combination is set.
- To lock, rotate lock to "locked" position. Rotate one or more dials after lock is closed. To open the lock, turn dials to your personal combination.