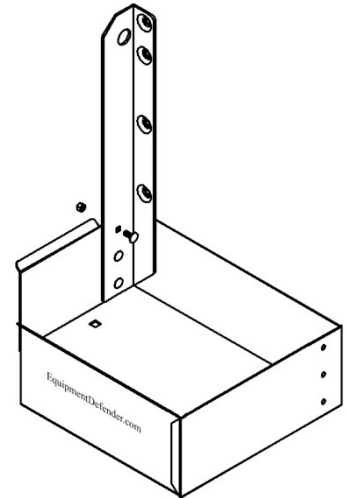


Gas Can Rack assembly instructions

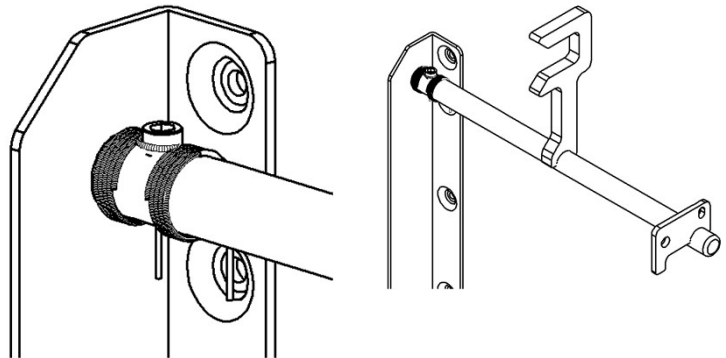
Step 1

Assemble the upright onto the left hand side of the base using the 6mm carriage head bolts



Step 2

Assemble the rod with the spring attached into the large hole on the left hand upright



Step 3

1. Place the washer onto the shaft
2. Assemble the upright onto the right hand side of the base using the 6mm carriage bolts

