

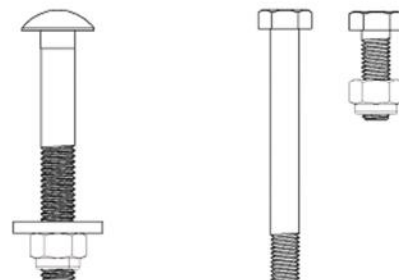
MOUNTING ON OPEN TRAILERS

(ROUND TUBE, ANGLE IRON, SQUARE TUBING)

1. Select a location for your blower rack and determine the length you need to cut the mounting post, it must be a minimum of 3" above the rail. (Figure 1)
2. Drill 3/8 holes as needed (make sure the post is straight) and install bolts. (Figure 2)
3. Set the blower rack onto the post and tighten the set screws. (Figure 3)

MOUNTING HARDWARE

Qty. 2 each in the
Bag Labeled: Mounting Post



Carriage bolt
for base with
washer & nut

Bolts for "U" Bracket
(Long Bolts are for Tubed Trailers)

Figure 1

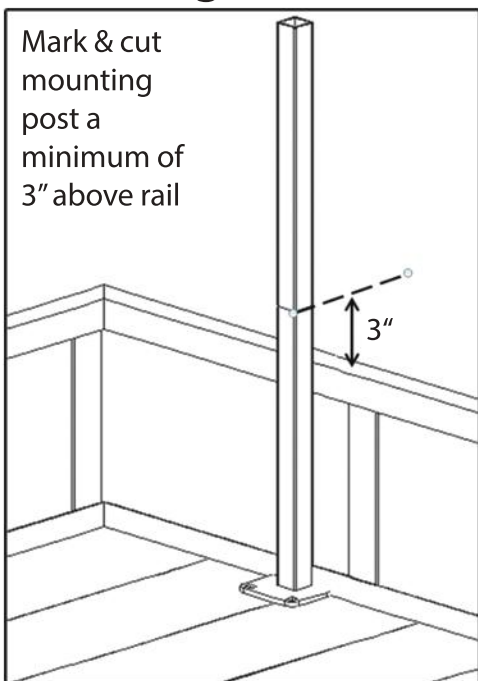


Figure 2

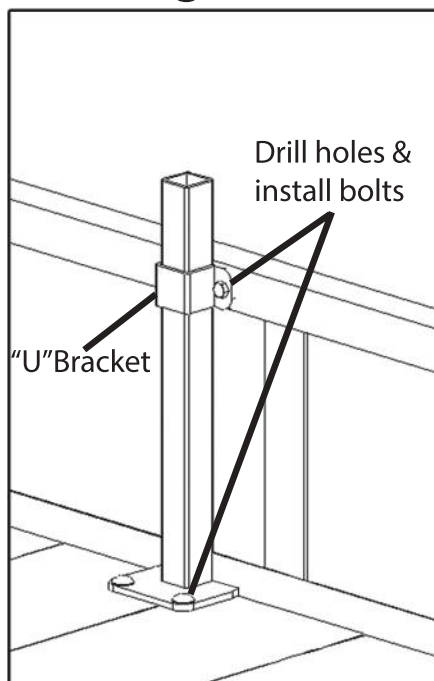
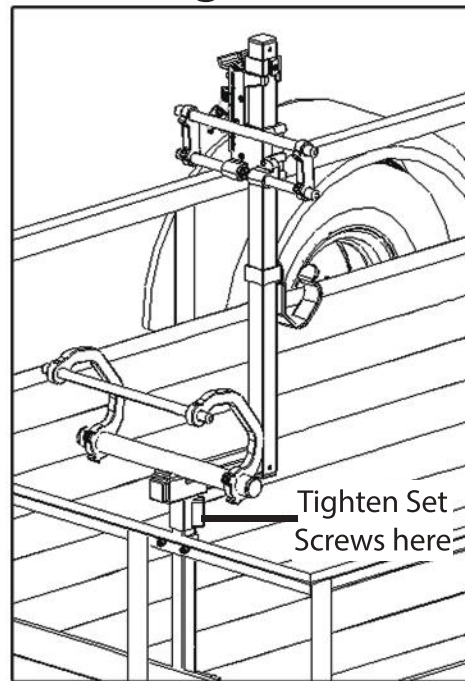


Figure 3



MOUNTING ON ENCLOSED TRAILERS (ENCLOSED TRAILERS, BOX TRUCKS, FLAT WALLS)

1. Bolt wall brackets onto the top and bottom of the rack. (Figure 1)
2. Using the self drilling/ tapping screws, screw through the plywood and into the steel frame. (Figure 2)
3. Screw the tube holder onto the wall in a spot that allows the tube to lie against the wall naturally. (Figure 3)

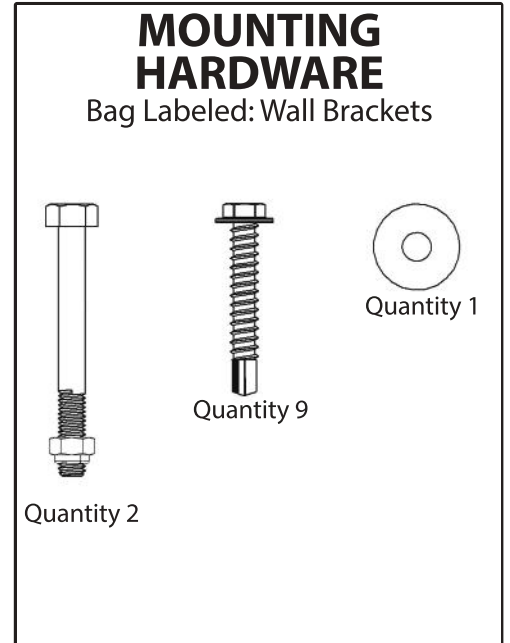


Figure 1

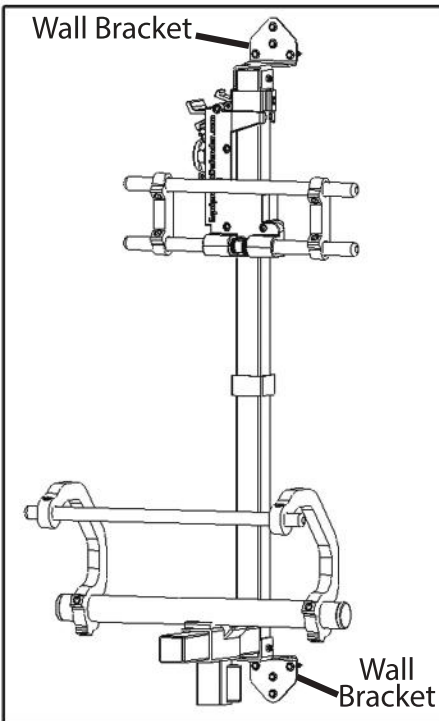


Figure 2

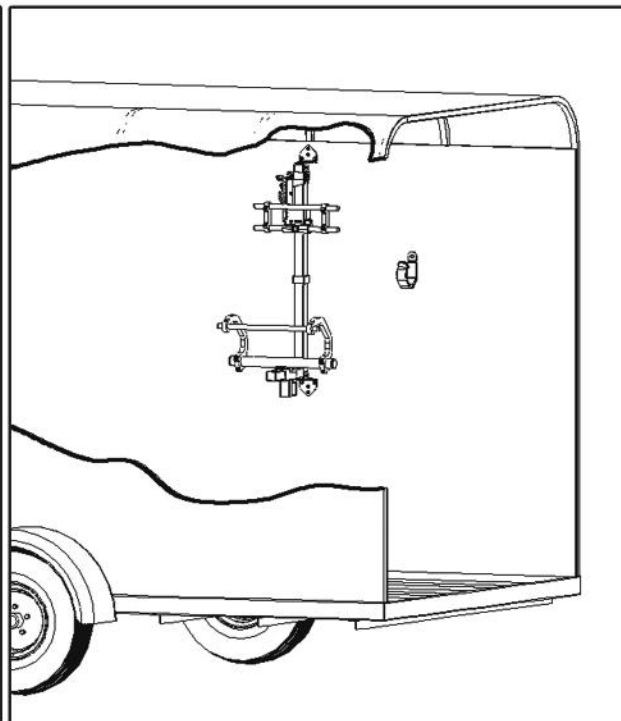
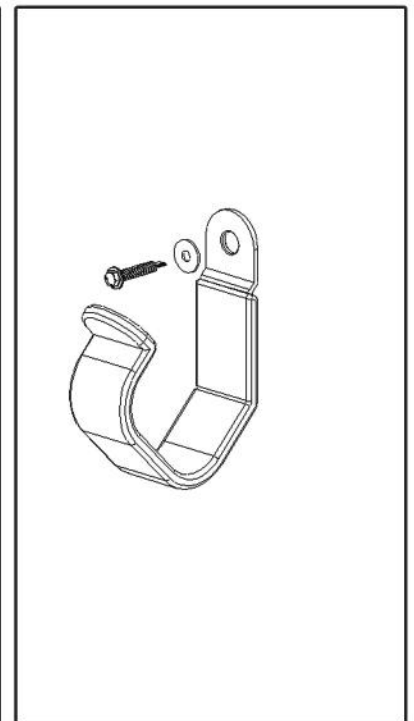


Figure 3



ADJUSTING THE RACK TO FIT YOUR BLOWER

1. Adjust the bottom arms located at the base of the rack so that they fit your blower tightly by sliding and rotating the lower arm. (Figure 1)

2. Adjust the top arms so the blower can't move side to side (Figure 2)

3. When you've made all of the adjustments take the bottom arms back off and drill a 5/16" hole through one of the marks left by the sets crews on each side. Slide the arms back on and insert the dog point set screws (they are in a separate packet labeled Dog point set screws) into the holes you drilled. Tighten the rest of the set screws making sure they are very tight, so that the bottom arms can not be rotated. (Figure 3)

4. If you are concerned about security you can fill the hex of the set screws with epoxy or silicone.

Figure 1

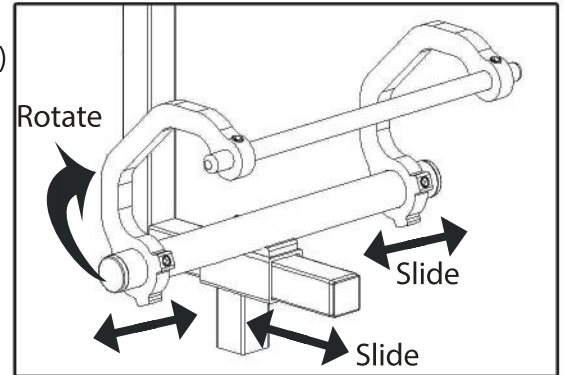


Figure 2

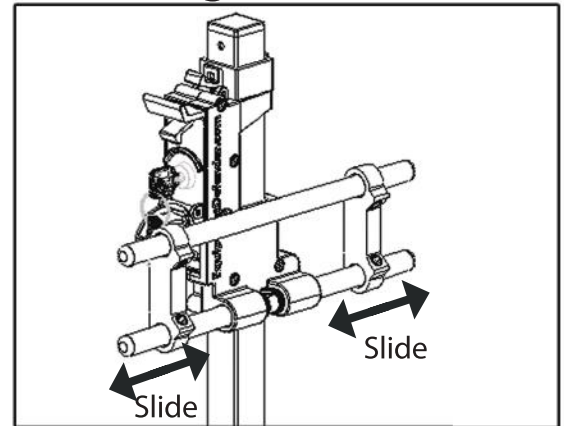
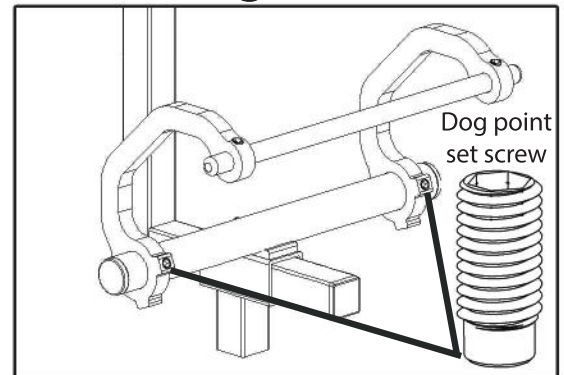


Figure 3

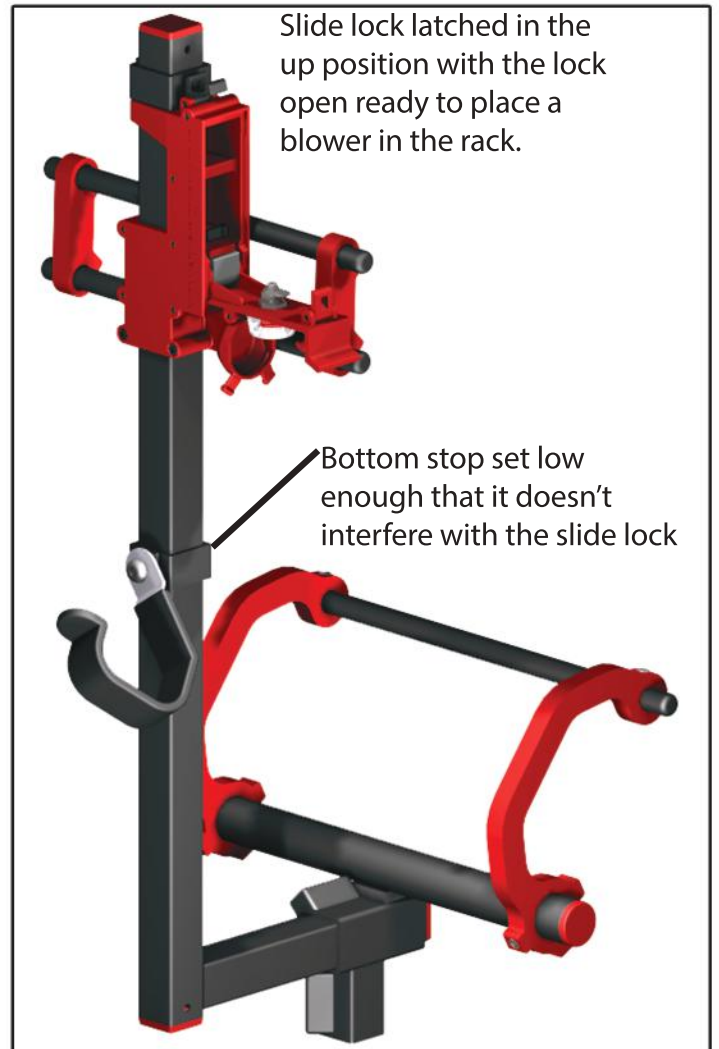


Properly Adjusted Rack



USING YOUR EQUIPMENT DEFENDER BLOWER RACK

1. Unlock the rack with the key.***
2. Press the lever on the door and open the door.
3. Lift the slide lock assembly until it latches onto the top stop.



***Optional Combination Lock
available for purchase online at
EquipmentDefender.com

EquipmentDefender.com