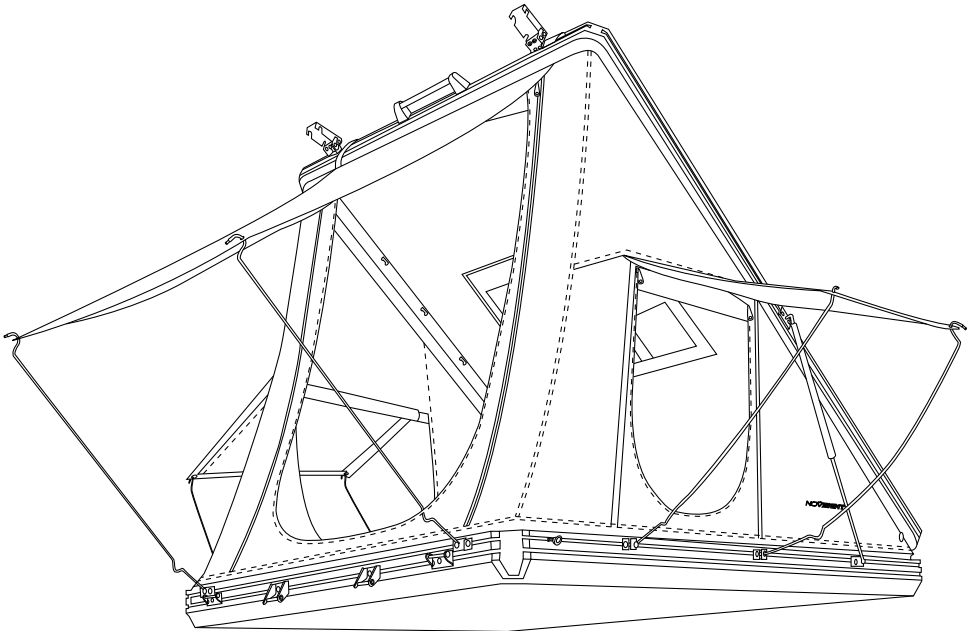


NOVSIGHT

EMAIL: service@novsights.com

CONTACT: 1-888-862-9850 Mon-Fri 9am-5pm(PST)

URL: www.novsights.com



ALUMINIUM ROOFTOP TENT

INSTRUCTIONS

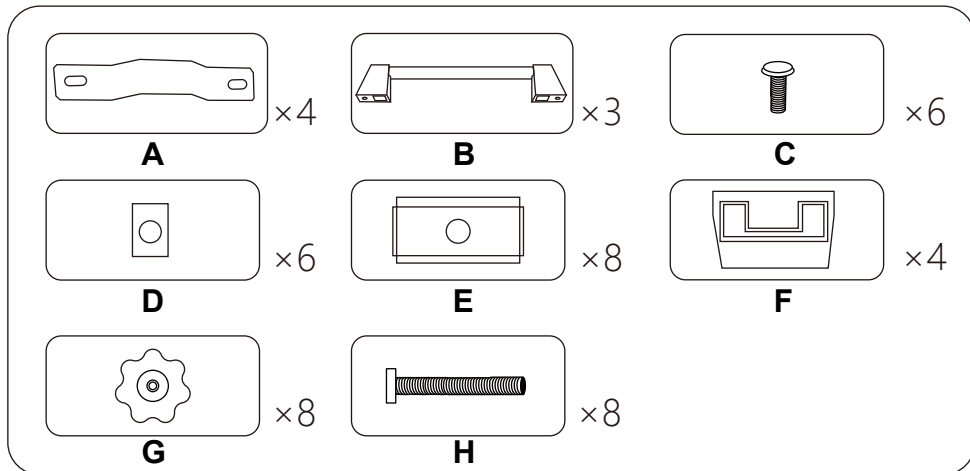


MOUNTING THE ROOFTOP TENT ON YOUR VEHICLE WARNING!

- If you have any back, knee or any other health complications, do not attempt to mount the rooftop tent on your vehicle.
- Your vehicle must have a roof rack or cross bars installed in order to mount the rooftop tent.
- The cross bars must have a dynamic weight load of at least 165lb (75kgs) and must be at least 30”(76cm) apart.
- If you are unsure of the mounting process or have any questions, contact.
- It is easiest to mount the rooftop tent from the side of your vehicle, not From the front or the back.
 1. Have two people stand at the front of the rooftop tent, and two people At the back.
 2. Grab the panel on the bottom of the rooftop tent and lift up to your Waist.
 3. Lift the rooftop tent up to your shoulders, and then above your head.
 4. Gently slide the rooftop tent onto your cross bars.
 5. Make sure the rooftop tent is centered.

■ INSTALLING THE MOUNTING BRACKETS

IMPORTANT: WHEN MOUNTING THE ROOFTOP TENT ON YOUR VEHICLE, MAKE SURE THAT EACH BRACKET IS SECURELY FASTENED. FAILURE TO DO SO COULD CAUSE DAMAGE, INJURY OR EVEN DEATH



⚠ NOTE: 1. Apply lubricant to the bolts and nuts before tightening to reduce the risk of thread galling.

2. Handle *3 pcs : The front is used to open the tent, the rest can be installed on the left and right sides to facilitate your up and down the stairs. Of course you can also be free to these handles according to your needs.

3. Please be sure to lock the locking head screws, so that there will be no loose situation



4. To consolidate the parts used in hydraulic cylinders.



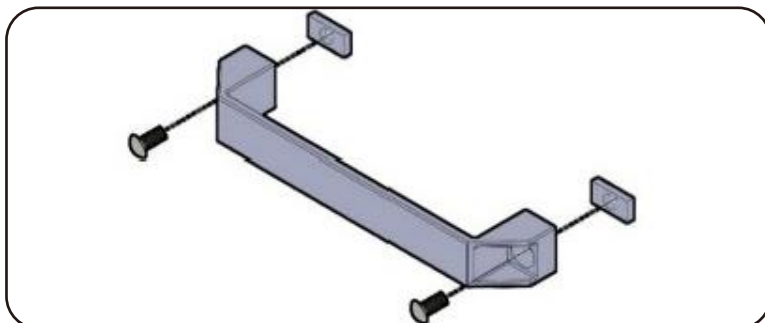
INSTALLATION INSTRUCTIONS

- The following installation instructions refer to the fitting for the accessories and mounting the roof top tent to a vehicle roof rack. All mounting fasteners supplied should be used.
- DO NOT lift the roof top tent by yourself.
- Use a team of people or a forklift.

1. Un-pack the rooftop tent from the box. All components will be stored inside the rooftop tent.

2. Installing the grab handle. Place the two plate nuts(D) into the bottom channel on the top shell. Align the M8 mounting bolts(C) and nuts before tightening the fasteners.

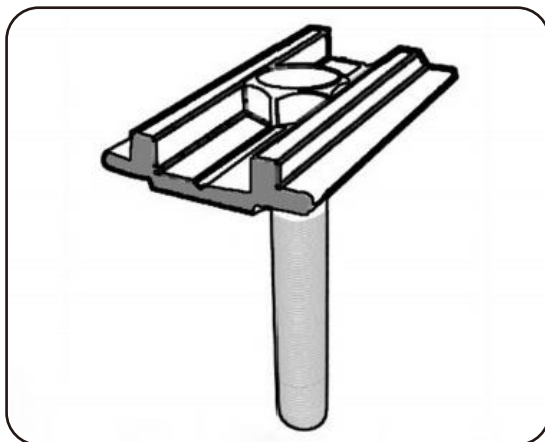
Note: Ensure tent is flush with rear of car to accommodate for ladder during use.



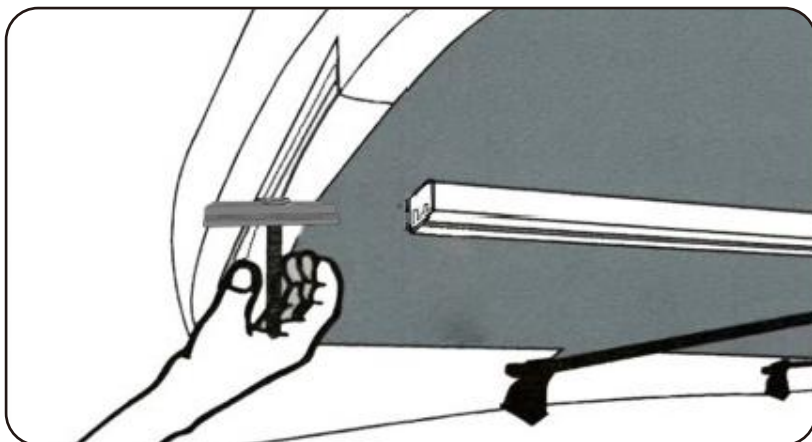
3. Lift the rooftop tent onto the vehicle roof rack. Position the rooftop tent so that it is centred on the roof rack. This will ensure the weight is evenly distributed across the vehicle roof.

■ **Note: Ensure tent is flush with rear of car to accommodate for ladder during use.**

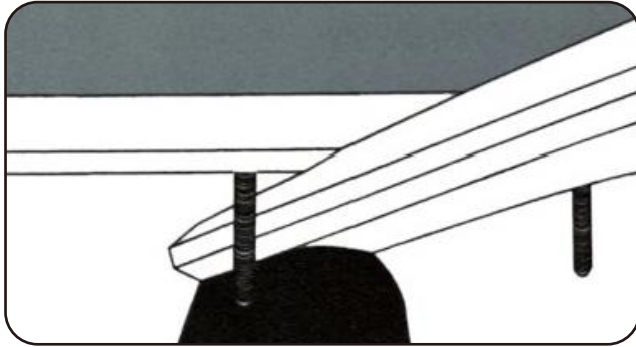
4. Take the top bracket [E](with the square holes), and insert one bolt [H]. Assemble bolts with mounting track adaptors. See image to the right.



5. Insert top bracket [B] with the one bolt into the rail under the rooftop tent:



6. Have one person lift the rooftop tent, while another person slides the piece over the cross bar, so that one bolt is on each side of the cross bar.

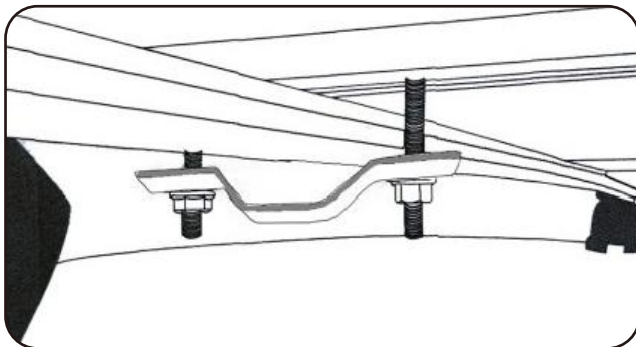


7. Take the bottom bracket [A](with the round holes), and fit it under your cross bar so that the bolts go through it.

8. Attach one nut [G] on each bolt [H], and tighten them.

IMPORTANT: apply lubricant to the bolts and nuts before tightening to prevent thread galling.

9. Tighten the nuts until the bottom bracket [A] starts to bend lightly. Do NOT keep tightening after it has already started to bend as this will make it difficult to mount again in the future. See image below:



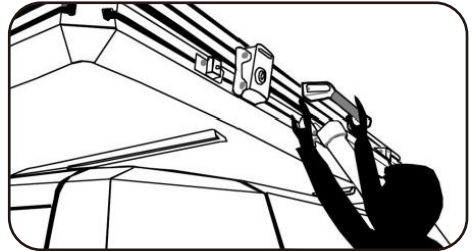
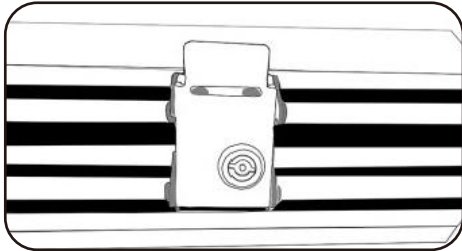
10. Repeat the procedure for the remaining 3 brackets.

NOTE: check that the rooftop tent is securely attached after a short distance, and thereafter at regular intervals. Tighten the mounting brackets whenever necessary.

SETUP INSTRUCTIONS

■ The following instructions refer to the setup procedure for the Aluminium roof top tent.

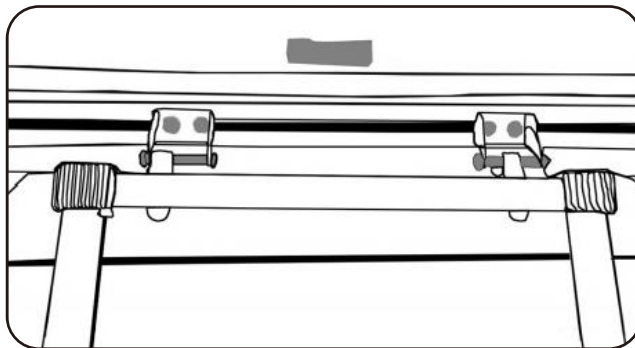
1. Ensure that the vehicle is on level ground and the handbrake is on.
2. Open the two over-centre latches.
3. With one hand, push up the handle. The hydraulic rod will allow it to open on its own.



4. Using the telescopic ladder. Extend the ladder to the desired length and clip onto the ladder bracket.

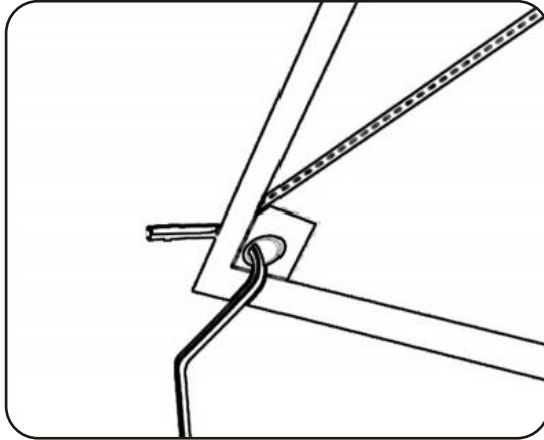
Ensure the ladder is slightly angled away from the tent and in contact with the ground.

■ THE LADDER MOUNT IS NOT DESIGNED TO TAKE LOAD. LADDER MUST ALWAYS BE IN CONTACT WITH THE GROUND



5. Erecting the canopy. The canopy should be erected using the steel rods included with your roof top tent:

Climb half-way up the ladder, take one rod, and insert the straight end into one of awning spring pole bracket. the hook at the top end of the rod should be facing down. hold the rod with one hand, and with the other grab the corner of the canopy and insert the rod's hook, facing down, into the metal grommet.



6. Repeat the process on the otherside of the canopy.

INSTALLING THE LADDER

■ **CAUTION:** FAILURE TO PROPERLY SECURE THE LADDER COULD CAUSE DAMAGE AND SERIOUS INJURY. CAREFULLY READ THE INSTRUCTIONS BELOW BEFORE ATTEMPTING TO USE THE LADDER.

Always make sure the ladder is firmly planted in the ground, and each step is securely locked before going up the ladder.

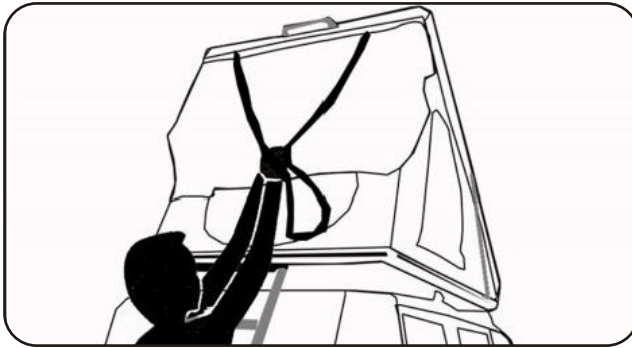
Make sure the base of the ladder is placed on even, solid ground: move your vehicle to another spot. Do NOT install the ladder on uneven ground, or on rocks, sand, or mud.

CLOSING THE HARD SHELL

■ **WARNING:** Before closing the roof top tent, you must unfasten the cords that are attached under the panels. Leaving the cords attached puts stress on the tent and may cause the fabric to tear.

1. Retract the ladder, starting with the top steps. Make sure to press the release buttons with your thumbs and be careful not to get any fingers caught between steps.

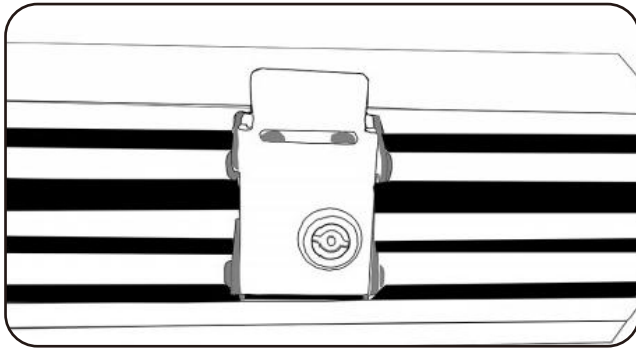
2. Reach into the rooftop tent to grab the black nylon strap attached to the top of the shell. Pull down on the strap to close the hard shell:



3. Tuck the excess material into the rooftop tent on the front, back and side:



4. Pull down on the hard shell, and securely fasten the locks.



NOTE:

- The fastening straps keep your rooftop tent closed and make sure it does not open when driving. Always make sure that the hard shell is completely closed and the straps are securely fastened before driving.
- If you find it difficult to completely close the rooftop tent, it may be due to excess bedding left inside the tent. In this case, remove some of the bedding and try again.
- Speed limit: the recommended speed limit when having the rooftop tent on your vehicle is 70 mph(110km/h). Driving speed should always be adjusted according to the current driving conditions, such as road type and quality, weather(wind conditions, rain), and applicable speed limits. Drive slowly on speed bumps and bumpy roads.

Product images in this manual are for illustrative purposes only and may differ from the actual product.