

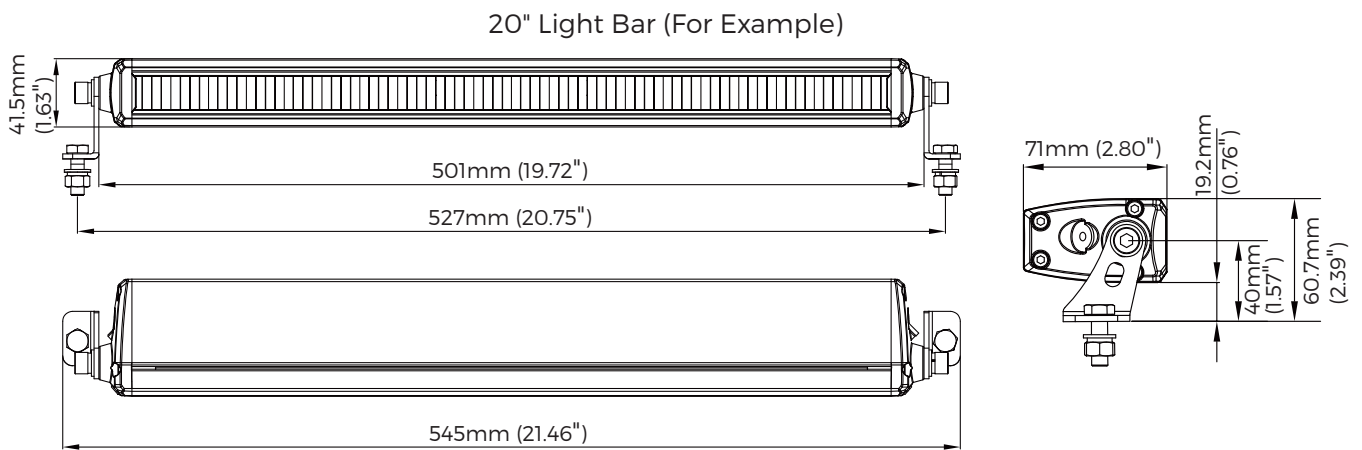
SCREW-LESS BEZEL DUAL COLOR SLIM LIGHT BAR

WHITE + AMBER DRIVING BEAM

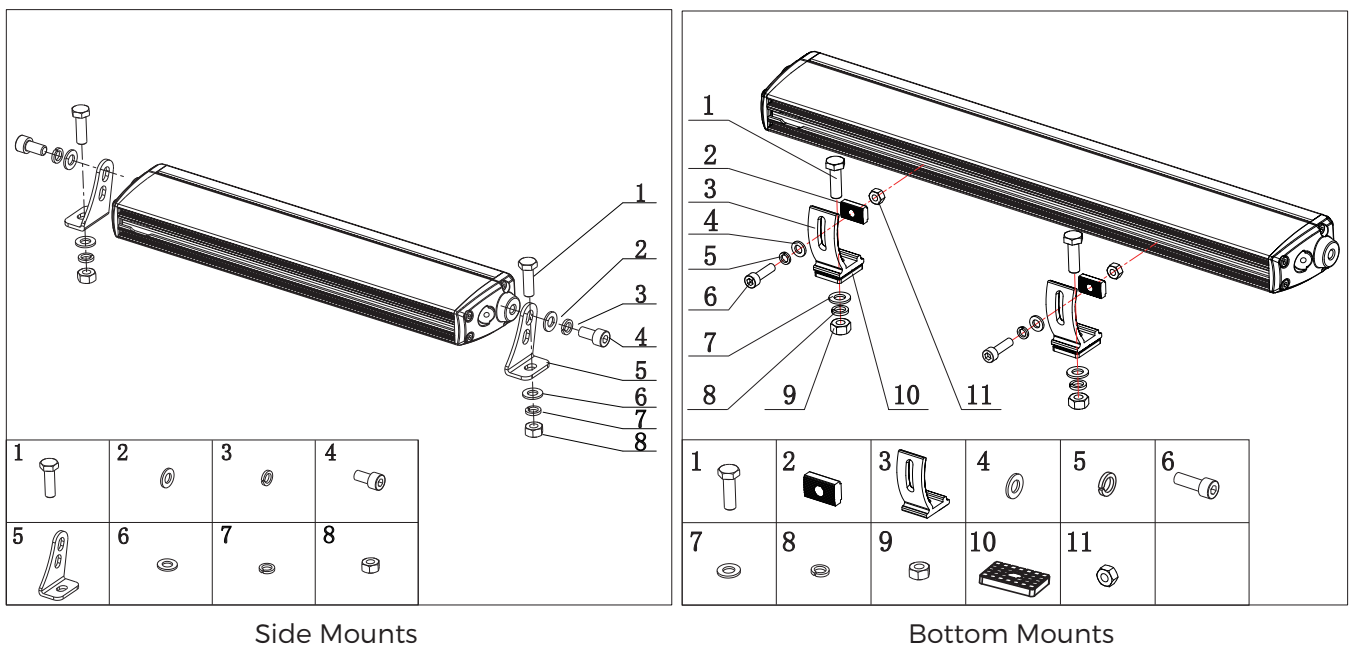
SPECIFICATIONS:

Voltage: 9-36V DC	
3 Beam Pattern Modes: ① White Driving Beam ② Amber Driving Beam ③ White + Amber Driving Beam	Optional Length: 10", 13.5", 20", 30", 40" and 50"
What's Included: 1 X Light Bar Side and Bottom Mount Brackets & Hardware	

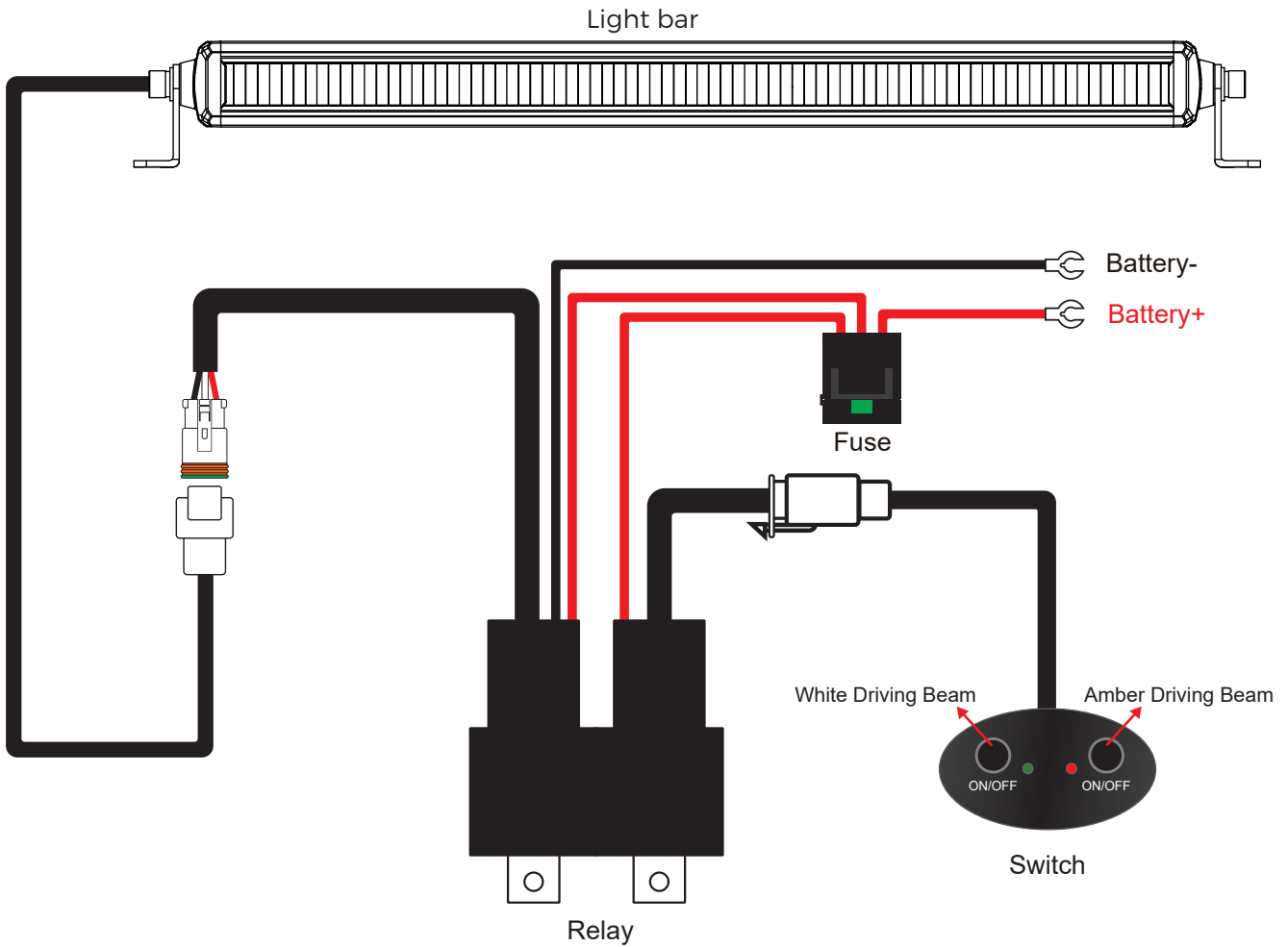
DIMENSIONS:



MOUNTING INSTALL INSTRUCTION:



INSTALL INSTRUCTION



(Tips: 50" light bar use 12 AWG one-output wiring harness, other sizes use 14 AWG one)

1. Determine suitable mounting locations to install the LED light bar, wiring harness and switch. Once all mounting locations are confirmed, connect the wires as shown above. Proper insulation at connections is required.
2. Connect positive and negative wire properly. Press the switch buttons to test if each mode is functioning properly.
3. Two buttons control white light and yellow light respectively. Press both at the same time can light up the white and amber driving beams together.
4. Adjust the light to the desired angle and then secure by tightening all mounting screws.