

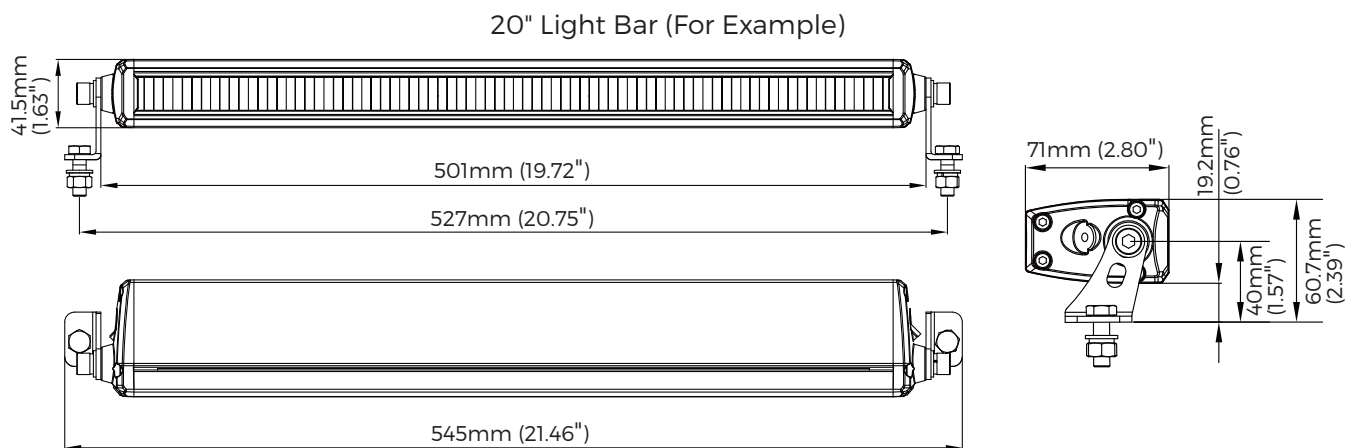
SCREW-LESS BEZEL SLIM LIGHT BAR

DRIVING BEAM

SPECIFICATIONS:

Voltage: 9-36V DC	
Beam Pattern: Driving Beam	Optional Length: 10", 13.5", 20", 30", 40" and 50"
What's Included: 1 X Light Bar Side and Bottom Mount Brackets & Hardware	

DIMENSIONS:



MOUNTING INSTALL INSTRUCTION:

1	2	3	4
5	6	7	8

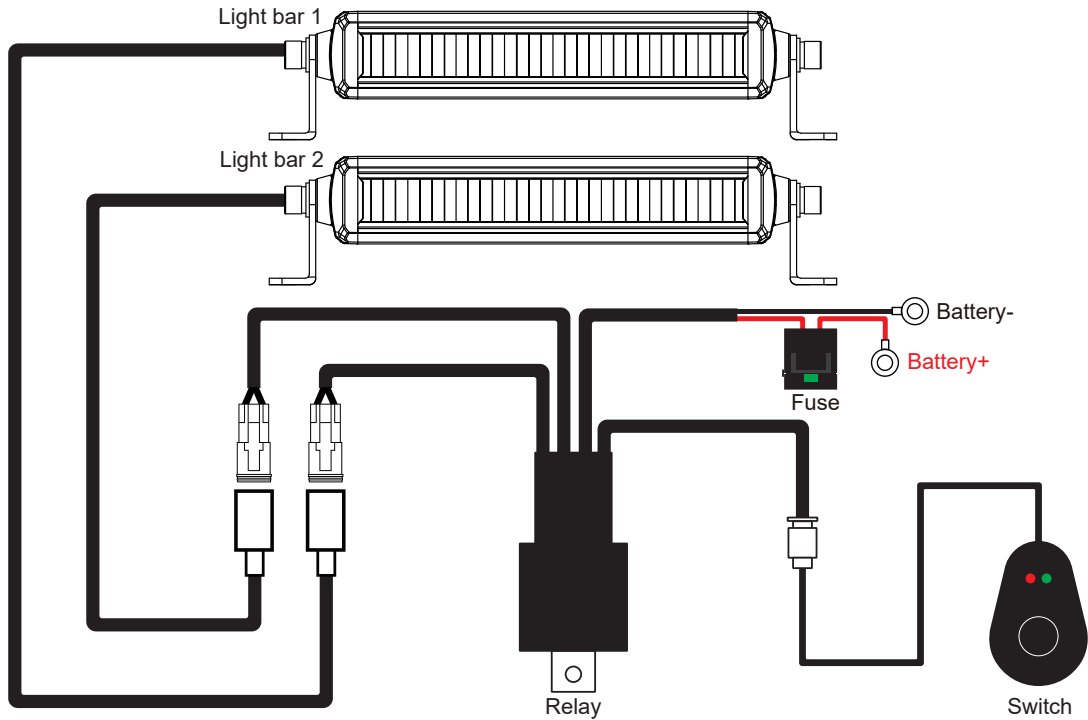
Side Mounts

1	2	3	4	5	6
7	8	9	10	11	

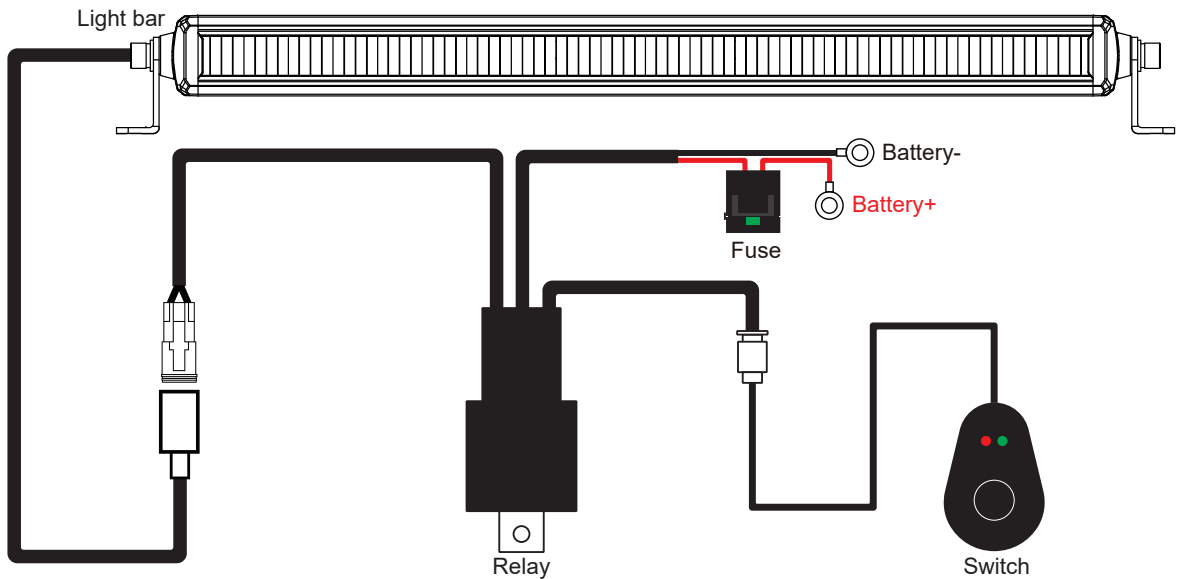
Bottom Mounts

INSTALL INSTRUCTION

For Two 10" Light Bars



For One 13.5", 20", 30", 40" or 50" Light Bar



(Tips: 50" light bar use 10 AWG one-output wiring harness, other sizes use 14 AWG one)

1. Determine the appropriate mounting locations to install the LED light bar, wiring harness and switch. Once all mounting locations are confirmed, connect the wires as shown above. Proper insulation at connections is required.
2. Connect positive wire and negative wire properly. Press the switch to test if the light is working properly.
3. Adjust the light to the desired angle and then secure by tightening all mounting screws.