

NOV'SIGHT
AUTO LIGHTING

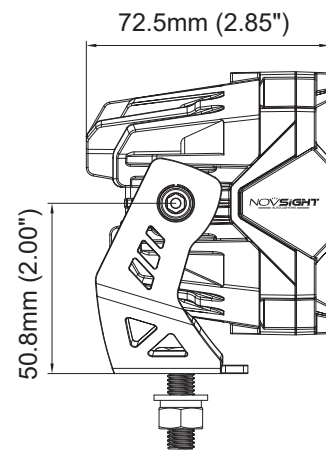
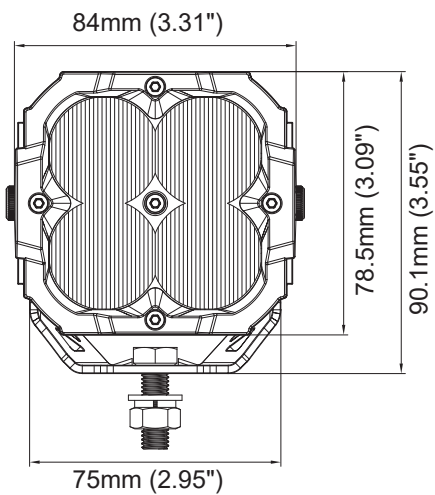
INSTALLATION MANUAL

STREET LEGAL 3" LED POD LIGHTS

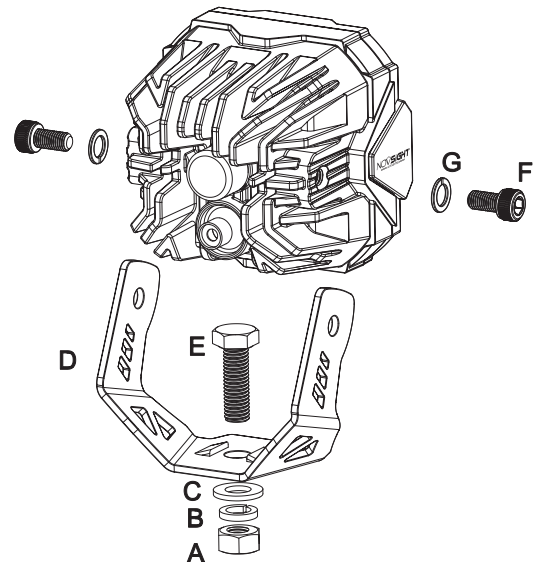
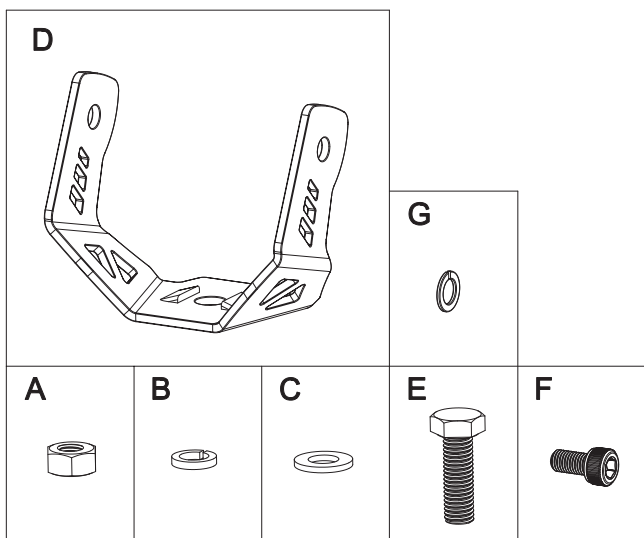
SPECIFICATIONS:

Voltage: 9-36V DC	Operating Temperature: -40°F ~ 185°F
LEDs: OSRAM	Waterproof Rate: IP67
What's Included: 2 X LED Pods 2 X Black Covers 2 X Amber Covers 2 X Bottom Mount Brackets Mounting Hardware	Optional Beam Patterns: Auxiliary High Beam (SAE J581) Auxiliary Fog Light (SAE J583) Hyper Spot Wide Flood

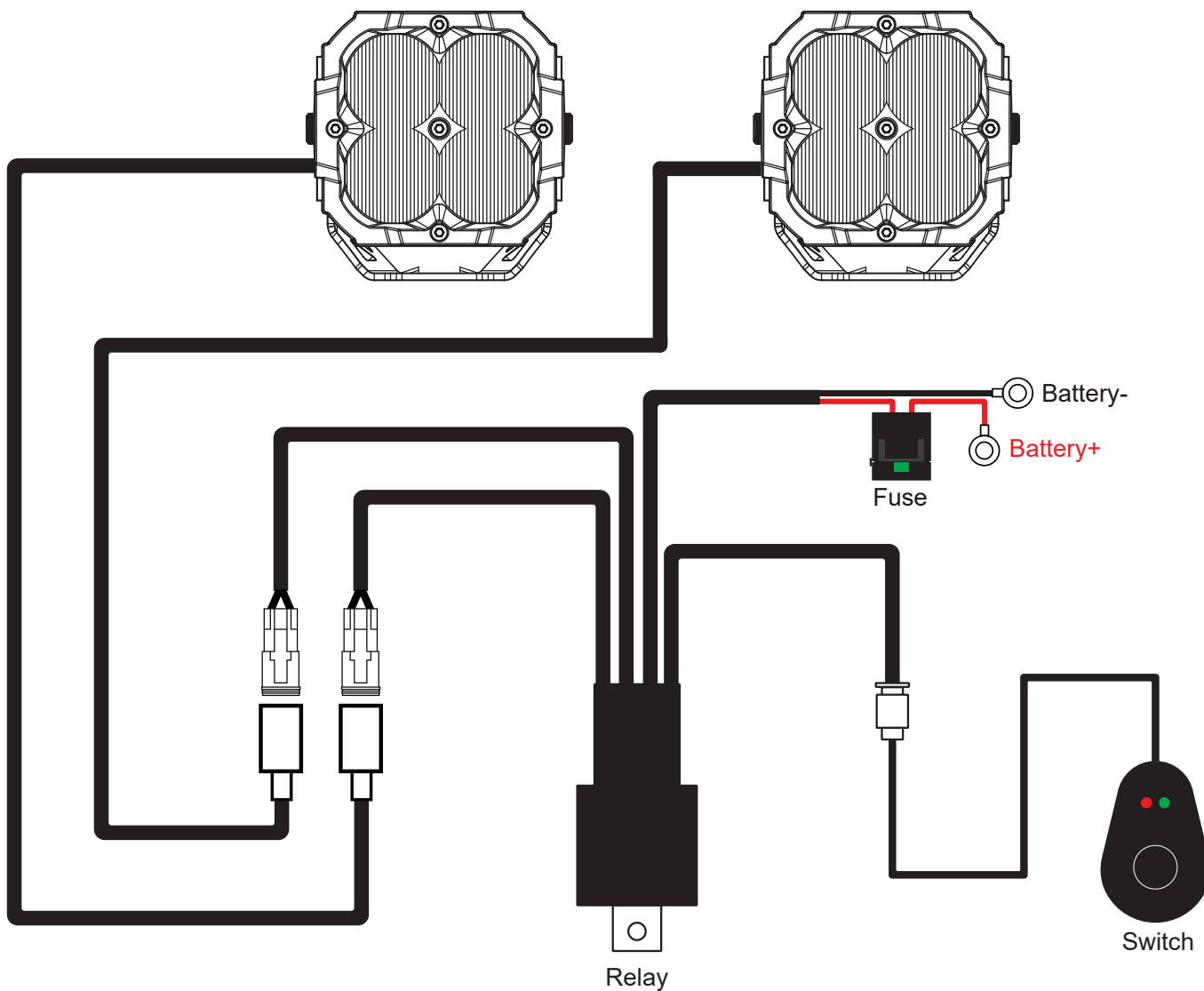
DIMENSIONS:



MOUNTING BRACKET INSTALLATION GUIDE:



HARNESS INSTALLATION GUIDE



1. Determine the appropriate mounting locations to install the LED Pods, wiring harness and switch. Once all mounting locations are confirmed, connect the wires as shown above. Proper insulation at connections is required.
2. Connect positive wire and negative wire properly. Press the switch to test if the lights are working properly.
3. Adjust the light to the desired angle and then secure by tightening all mounting screws.

ABOUT NOVSIGHT

Our Story: The Novsight team adheres to the brand with ingenious products, serves customers and brings people a safe and high-quality life. The original intentions and dreams continue to develop.

Our Slogan: Light Up Your Way Home

Our Vision: Establish a top brand in the automobile lighting industry.

Our Mission: Focus on customer experience, focus on customer safety, and provide cost-effective products.

Our Values: Customer First and Innovative

DISCLAIMER

NOVSIGHT does not warrant its goods against any defect or damage caused by transportation, storage, improper installation and maintenance, internal or external hostile environments, misuse, abuse, negligence, accident, modification, tampering, the attachment of any unauthorized accessory, alteration to the goods, poor workmanship, or any other conditions whatsoever that cause a defect or failure of the product.

NOVSIGHT's sole responsibility under this warranty shall be, at its option, to either repair or replace any goods which fail during the warranty period, provided that the buyer has promptly reported the said failure to NOVSIGHT in writing, and complies with the provisions of this warranty.

CONTACT US

Email: service@novsights.com

Phone: 1-888-862-9850 Mon-Fri 9am-5pm (PST)

Facebook Page: www.facebook.com/novsight.led

Facebook VIP Member Group: www.facebook.com/groups/novsight.members

Website: www.novsights.com

