

GARDENER'S HUTCH

PANELIZED GARDEN BUILDING

INSTRUCTIONAL MANUAL

GARDENER'S HUTCH

ASSEMBLY INSTRUCTIONS

1. Floor assemblypage 4
2. Wall assemblypage 5 to 8
3. Shelf assemblypage 9 & 10
4. Roof assemblypage 11 & 12
5. Trimspage 13 & 14
5. Door & Hardwarepage 15 & 16

TOOLS YOU NEED

Garden tools for foundation leveling work.
Power drill & drill bits.
12" carpenters level.
Hammer, saw, tape measure, pencil, etc.
1/8" drill bit

MATERIALS REQUIRED

Concrete foundation pads where necessary.

ASSISTANCE REQUIRED

This can be a solo project but an extra pair of hands may be helpful.

NOTE:

Assembly of building will require the use of power tools and a ladder. Please take precautions at all times. Please visit our website at www.cedarshed.com for additional safety tips and other considerations to promote safe and enjoyable usage of your Cedarshed Product for years to come.

GARDENER'S HUTCH

All Cedarshed products are constructed of Western Red Cedar.

Safety Points and Other Considerations

As a proud owner of a Cedarshed gazebo, garden shed or outdoor furnishing(s), we want you to safely enjoy it for many years to come. Our products are built for use based on proper installation on level ground and normal residential use. Please follow the Assembly Manual when building the structure, and keep this manual as a reference for future maintenance.

When using power tools, ladders or any other tool, observe all safety precautions recommended by the manufacturer. Always use appropriate safety equipment, including eye protection.

Customers agree to hold Cedarshed Industries (1992) Inc. and any Authorized Dealer free of any liability for improper installation, maintenance and repair of any Cedarshed product.

Some Safety Tips to consider include:

1. Roof snow load rating varies by geographical location. If a heavy or wet snowfall occurs, it is advisable to clear the snow off the roof.
2. If the structure is elevated above ground, local Building Code requirements are solely the owners responsibility, and should be abided by,
3. In high or gusty wind conditions it is advisable not to touch the structure, and it may be advisable to keep the structure securely grounded.
4. Have a regular maintenance plan to ensure floors, walls, doors, windows, roofing members etc. are secure and ready for adverse weather conditions.
5. In some geographical regions, our products are not rated for human occupancy. Please check with local authorities if this is the intended use.
6. It is important to properly prepare the foundation to ensure the proper construction of Cedarshed products. Please review the information in this Assembly Manual or our website or alternatively, consult with a professional with knowledge on properly preparing a foundation.

Our customers love telling us their Cedarshed stories and we are proud to hear them. Local conditions, personal construction abilities and other factors may affect the construction of any Cedarshed product, so it is possible that your experience may differ from those presented in this manual, in our catalogue or on our website.

UNPACKING

PARTS LIST FOR GARDENER'S HUTCH

Part Name	Size or Type	No.
-----------	--------------	-----

FLOOR

Floor panel	19 1/4" x 46"	1
-------------	---------------	---

WALLS

Back wall panel	21 1/2" x 65 1/2"	2
Side wall panel	19 1/4" x 65 1/2"	2
Shelf support panel	14 1/4" x 59 1/2"	1

DOOR

Door	21 x 59 3/4"	2
------	--------------	---

ROOF

Roof panels	22 3/4" x 48 1/8"	1
-------------	-------------------	---

Part Name	Size or Type	No.
-----------	--------------	-----

TRIM

Door stop	3/8" x 1 1/2" x 58	1
Front floor	3/4" x 1 1/2" x 47 1/2"	1
Side floor	3/4" x 2 1/4" x 19 1/4"	2
Backwall corner	3/4" x 2 1/4" x 65 3/4"	2
Front corner	3/4" x 2 1/2" x 60 1/2"	2
Roof trim	1" x 3" x 47 1/2" + 1" x 2" x 43"	1
Shelf support	1 1/2" x 1 1/2" x 3 1/2"	2

HARDWARE

3" screws	bag	25
2" screws	bag	20
1 3/4" nails	bag	40
1 1/8" nails	bag	6
Door handle		2
Hasp		1
T - hinges		4
Door shim		1
1 Drill bit, assembly manual and questionnaire		

To confirm you have received all materials, sort them according to this list. Call or e-mail us if you are missing items and we will courier or ship as soon as possible.

Protect your buildin materials from wet weather by covering them when necessary.

1. The Gardener's Hutch can be used inside or outside. If used as an outside locker, then raising it off the ground by using 1" (25.4mm) patio stones would be recommended. This allows the underside of the floor joist to remain dry thus preventing the onset of dry rot. This is even true of it being setup on a concrete surface.

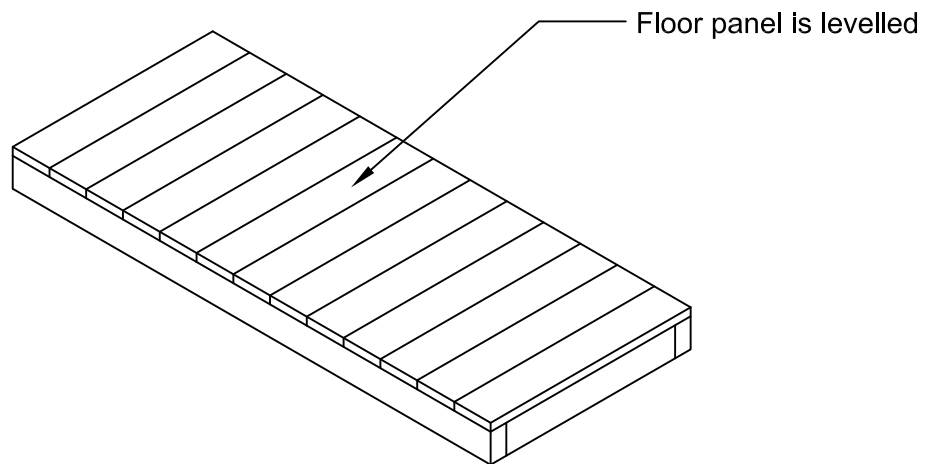


Figure 1

2. Take the left sidewall panel and position it on the floor so that the bottom 2x2 wall plate is flush with the outside, front and rear of the decking edges (see Figure 2). Secure the floor with two 3" screws as shown..

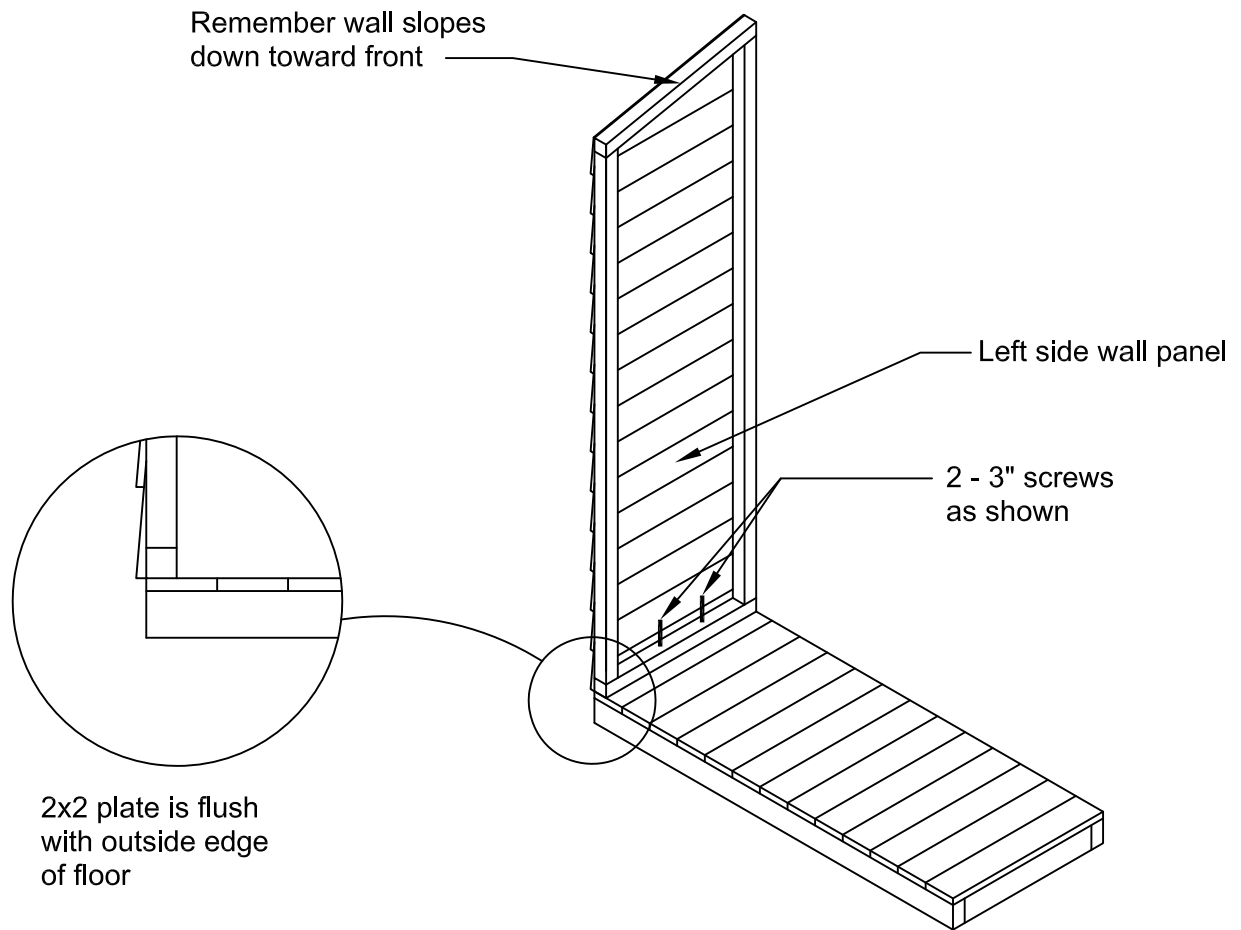


Figure 2

3. Next, place the two back wall panels on the ground, and attach the 2x2 frame together with 3" screws as shown below.
4. Now, lift the assembled rear wall onto the floor as shown in Figure 4. Ensure that the side panel 2x2 is flush with the rear face of the rear panel. Also, the 2x2 floor plate should sit flush to the rear of the floor. Use 3 - 3" screws to fasten back walls to the floor. (Figure 5).

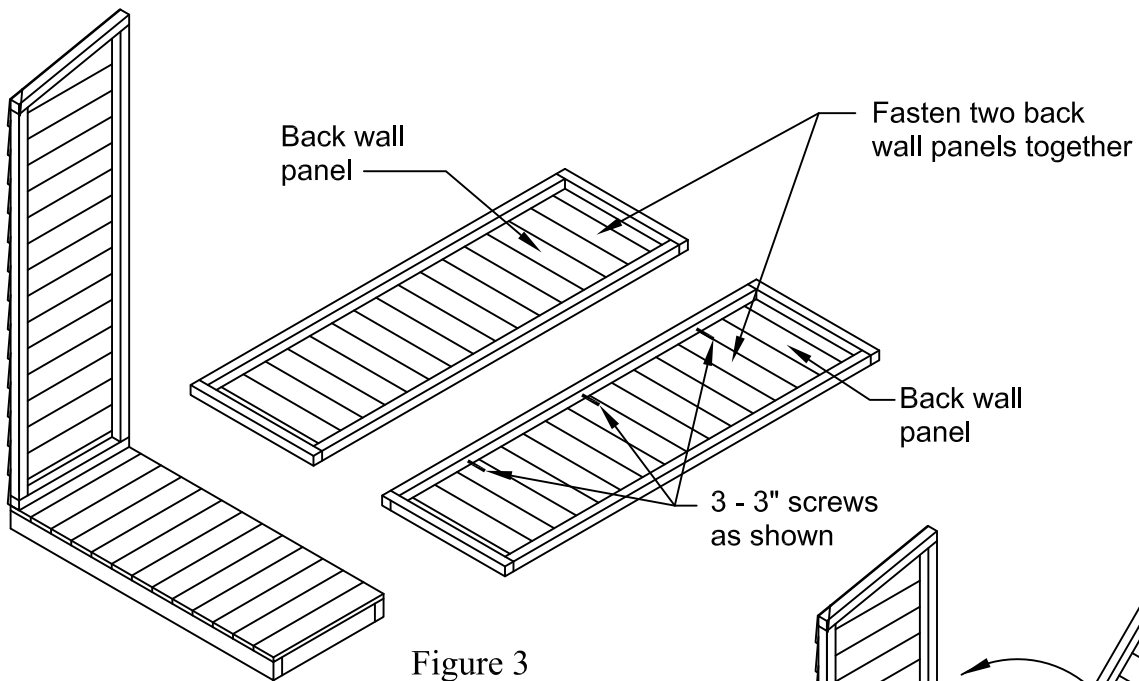


Figure 3

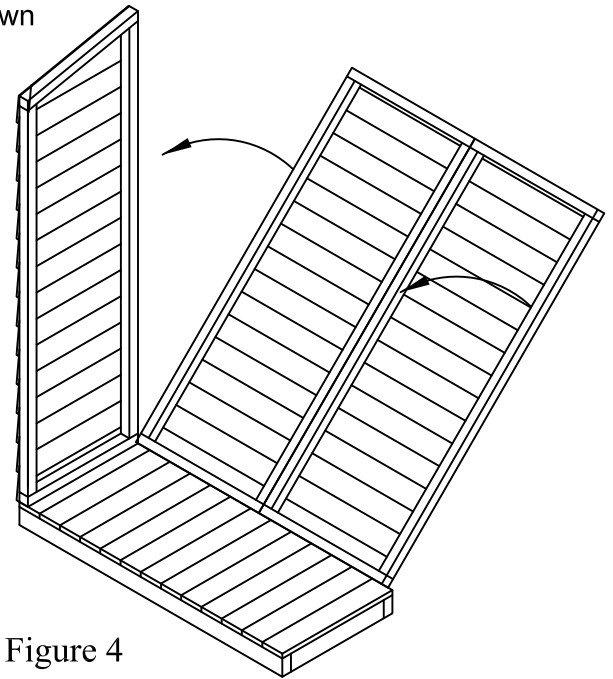


Figure 4

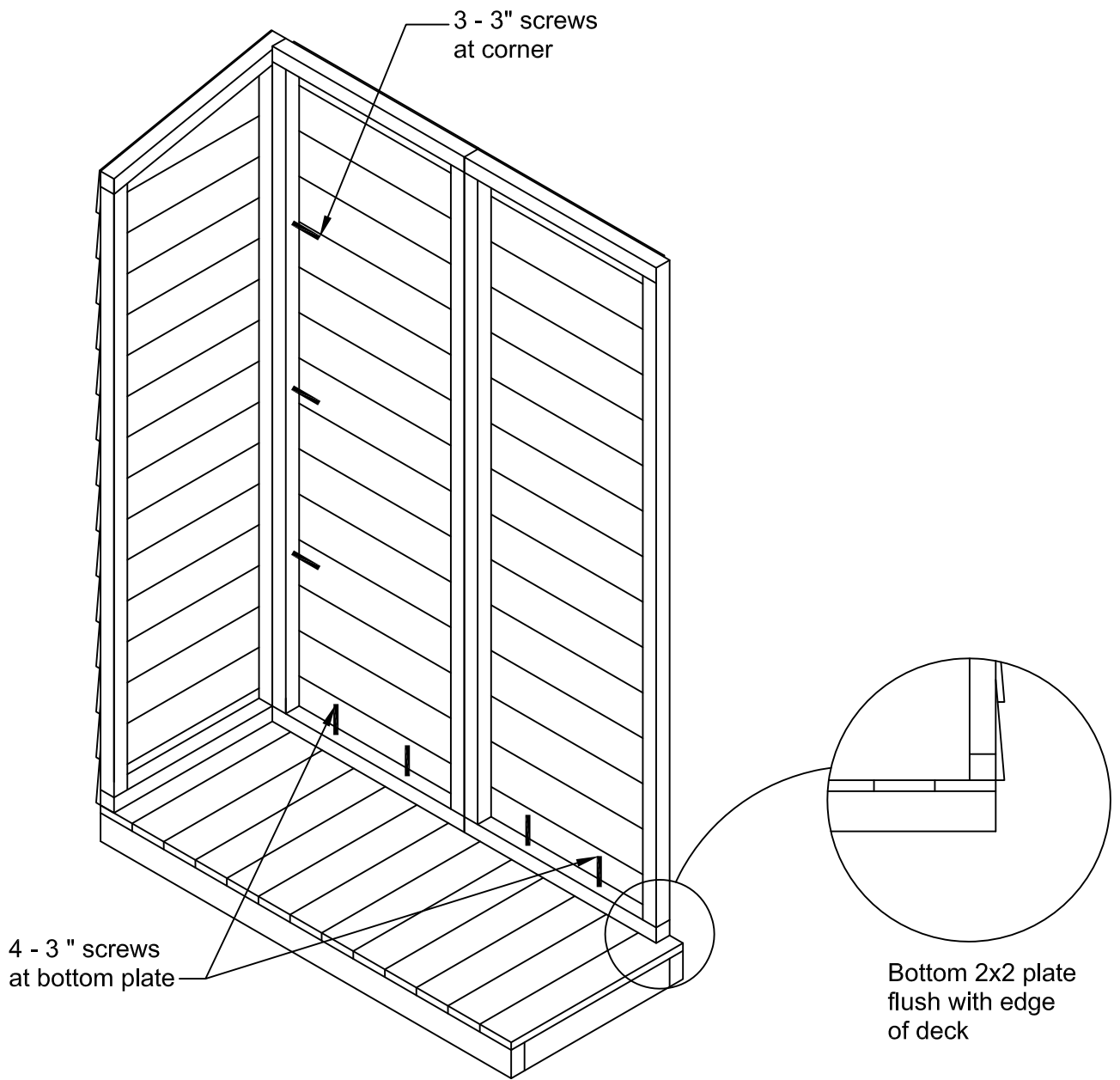


Figure 5

5. Place the right sidewall into its proper position, flush with the rear and front decking. Like the left wall, use 2 - 3" screws to mount it to the floor and 3 - 3" screws to fasten it to the adjacent rear wall at the 2x2 butt joint (see Figure 6).

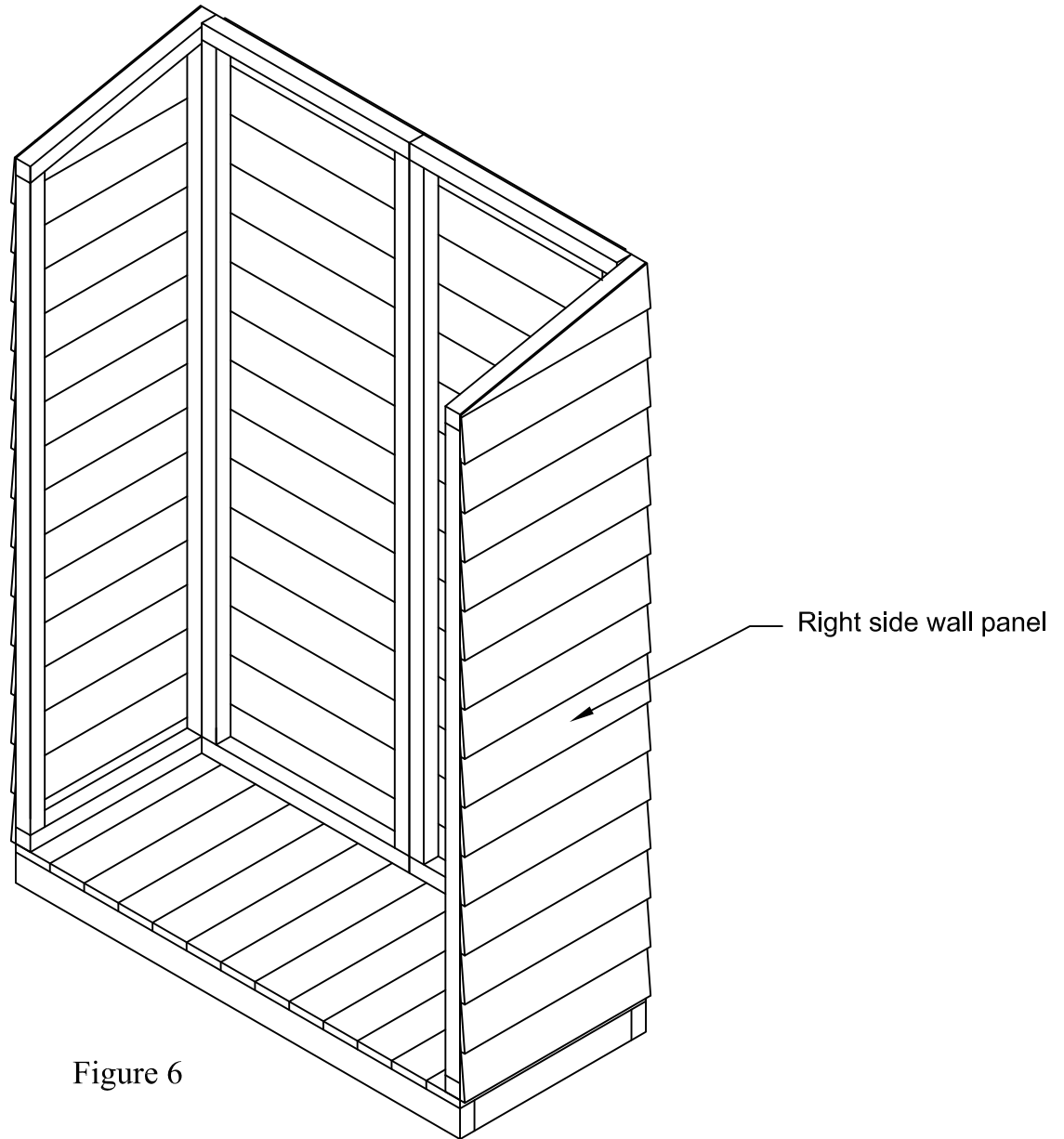


Figure 6

6. Place the shelf wall so that it butts up against the left side of the 2x2 rear wall joint. Be sure that the notch at the bottom fits over the 2x2 bottom plate. Secure with 2" screws. Do not fasten the bottom of the shelf wall just yet. This will allow you to adjust it once the shelves are in place (Figure 7).

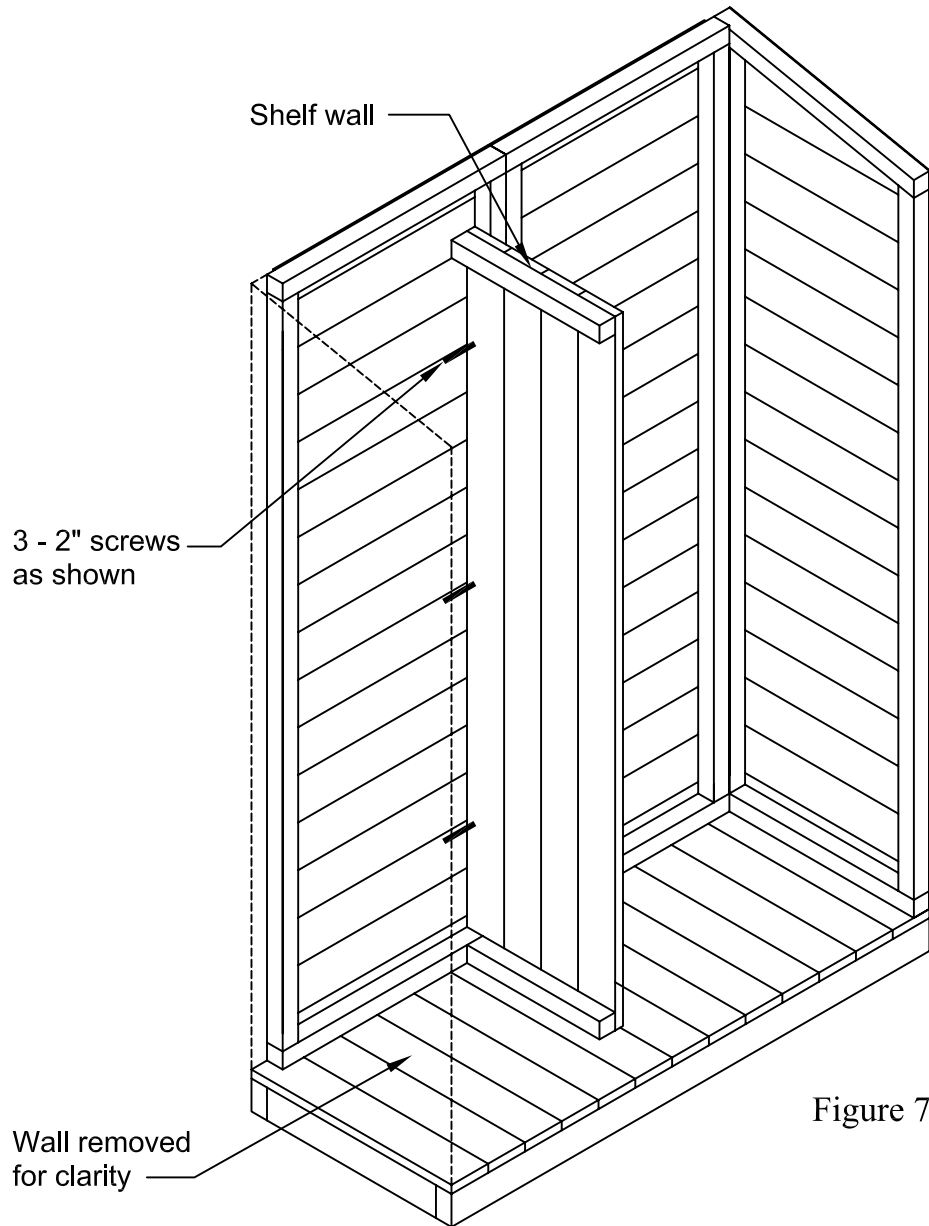


Figure 7

7. Place the shelves at the desired height. Be sure to install the bottom shelf first, as shown in Figure 8.
8. Using a 3" screw mount the corner of the shelf to the sidewall panel at point A. Affix the 3" screw from the outside of the frame member and the frame of the shelf.
9. Place 12" carpenter's level on position C to make sure the shelf is level. Using 2" screw affix shelf to shelf wall at position B. Then place the 12" carpenter's level on position E, to make sure the shelf is level. Then using a 2" screw affix it to the shelf wall at position C. Using another 2" screw further affix at position D.
10. Take shelf supports and use the 1/8" drill bit to pre-drill holes for 3" screws which will be used to affix to the shelf and the side wall. Fig C.
11. Mount shelf support to bottom of shelf and to the back frame of the side wall.
12. Repeat the above steps to mount the top shelf.

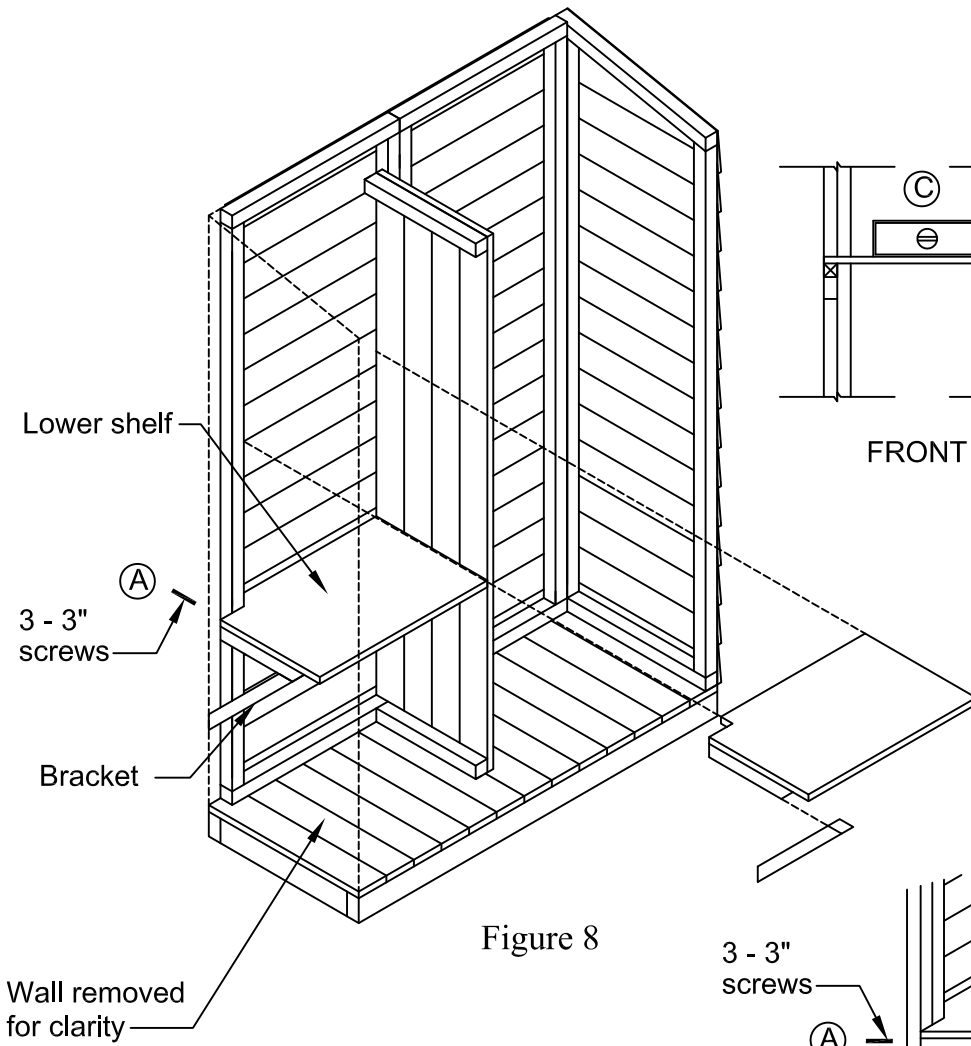
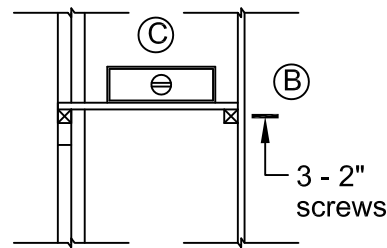
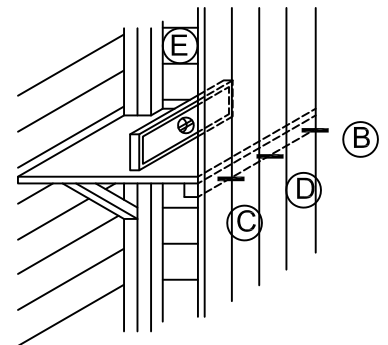


Figure 8

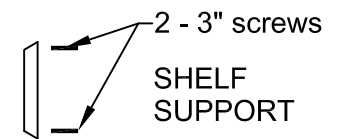


FRONT VIEW

Figure B

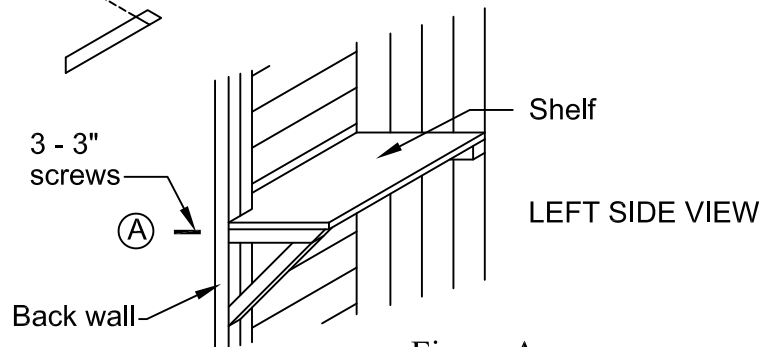


RIGHT SIDE VIEW



SHELF SUPPORT

Figure C

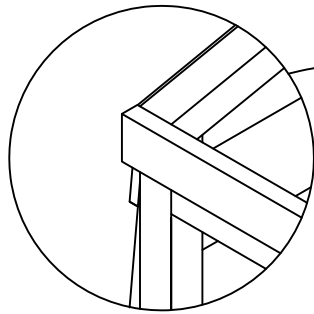


LEFT SIDE VIEW

Figure A

13. Now using 2 - 3" screws affix the bottom of the shelf wall to the floor.

14. Place the roof trim between the wall side panels and nail into place using 3 - 1 3/4" finishing nail on each end of the wall framing.



Roof trim must be flush with the side wall panel, top and side, typical for both ends.

1 piece roof trim

Insert nails at these locations

Placement of roof trim

- Drop the roof unit into place. adjust its position by making sure the roof frame sits flush on top of the 2x2 framework of the walls. From the inside of the structure, secure the roof with 2" screws up through the wall 2x2 and into the roof frame (see Figure 9).

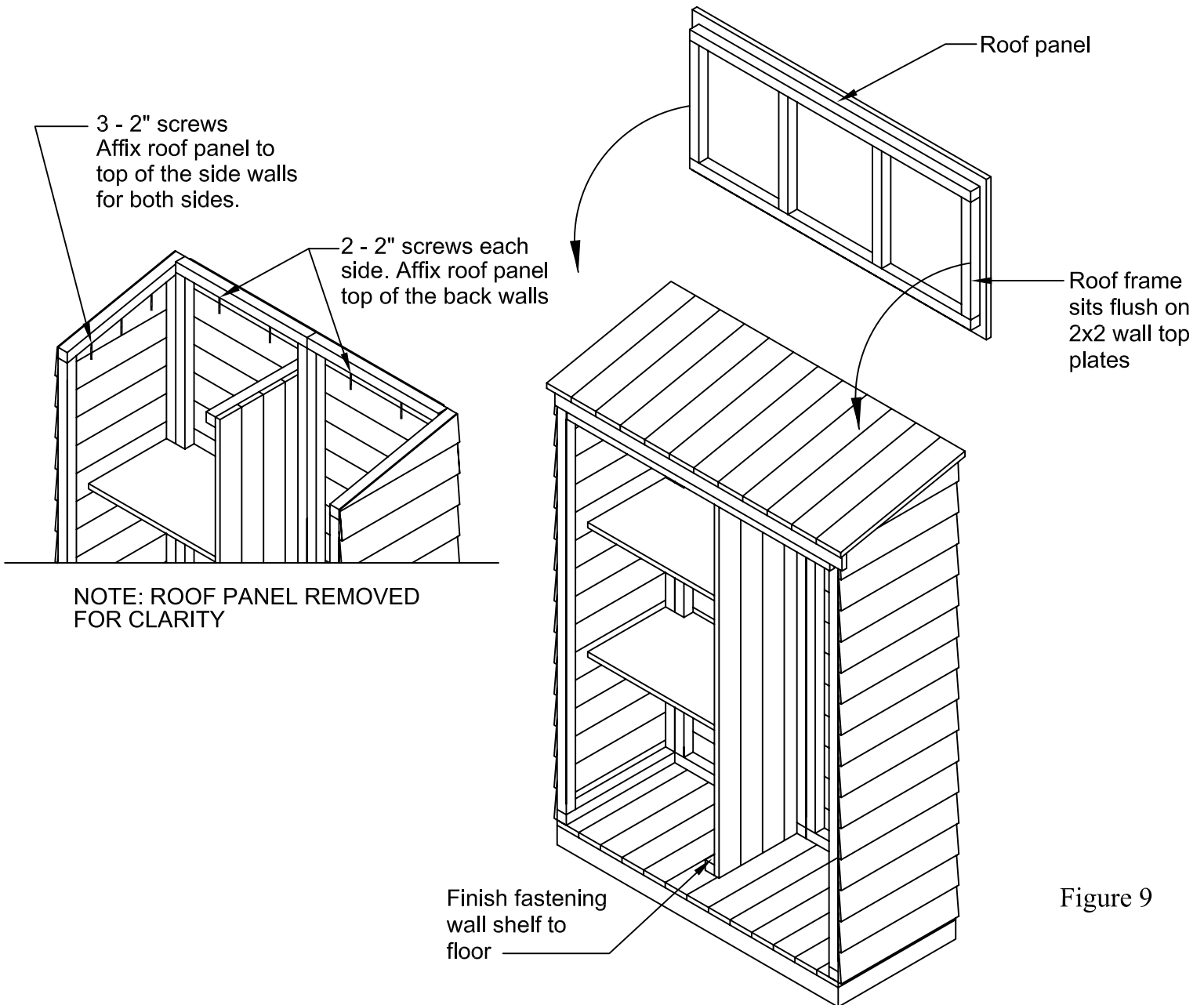


Figure 9

16. Fasten the two door trim boards to the front corners of the Hutch. They will fit flush against the outside of the siding and line up with the base and roof trim outside edges. Use 6 - 1 3/4" nails to fasten each trim pieces. Repeat the procedure with the side floor trim pieces, as shown in Figure 10. Use 2 - 1 3/4" nails per side floor trim.

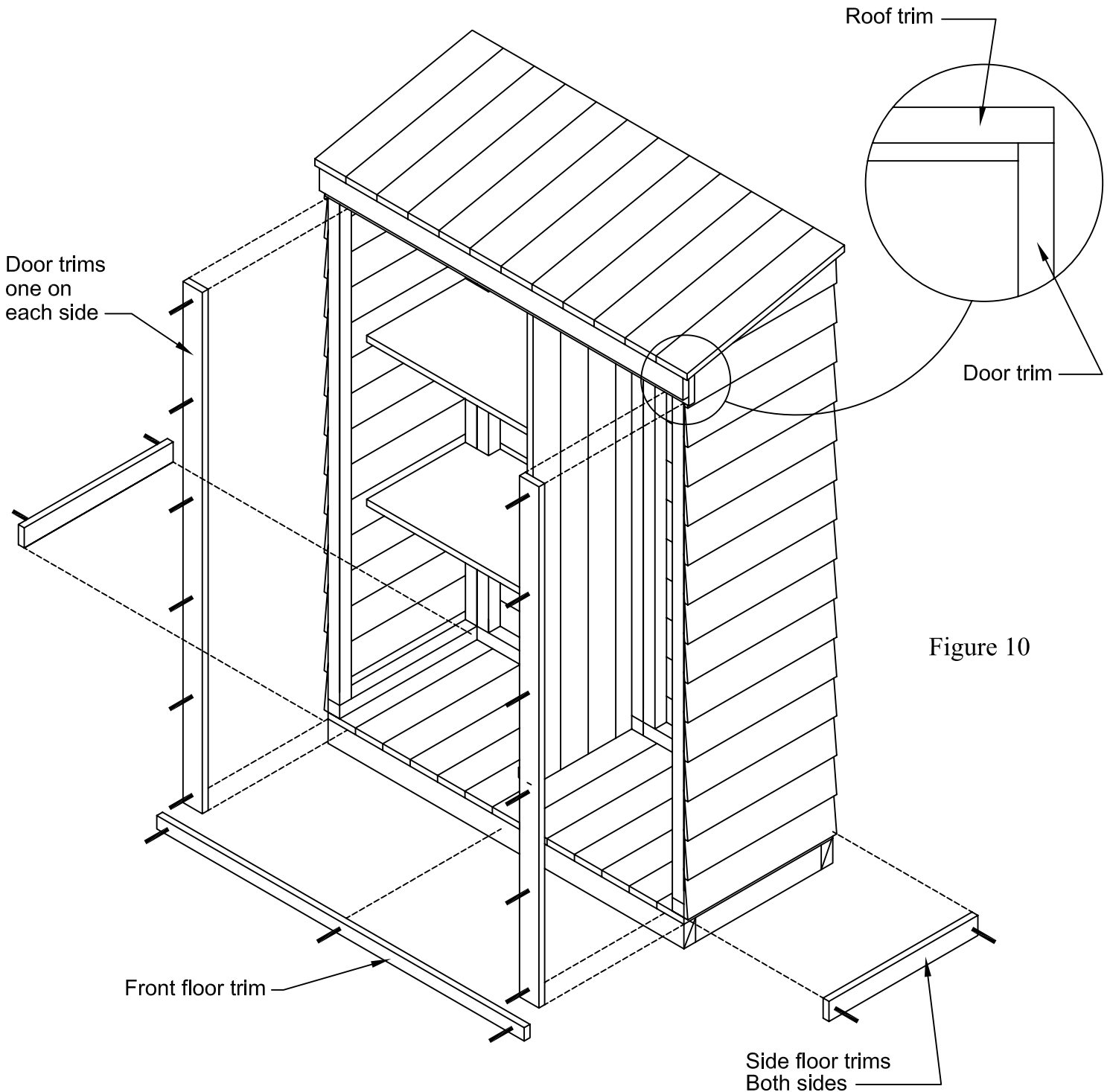


Figure 10

17. Repeat this procedure with the rear trim boards. (Figure 11).
Use 6 - 1 3/4" nails per trim boards.

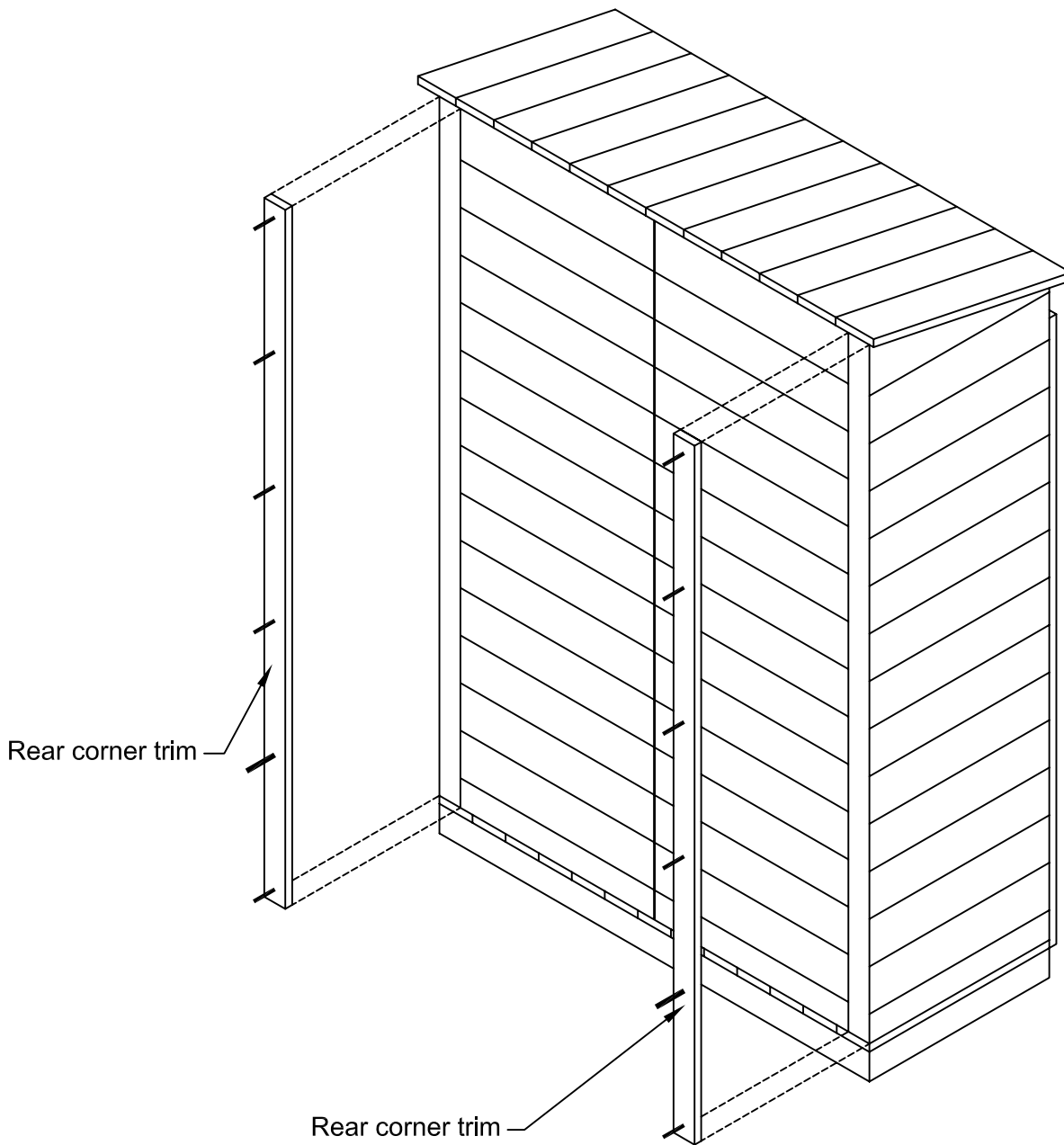


Figure 11

18. First identify the top of each door. The middle horizontal trim on the door is located about 2 feet [610 mm] from the top of the door.

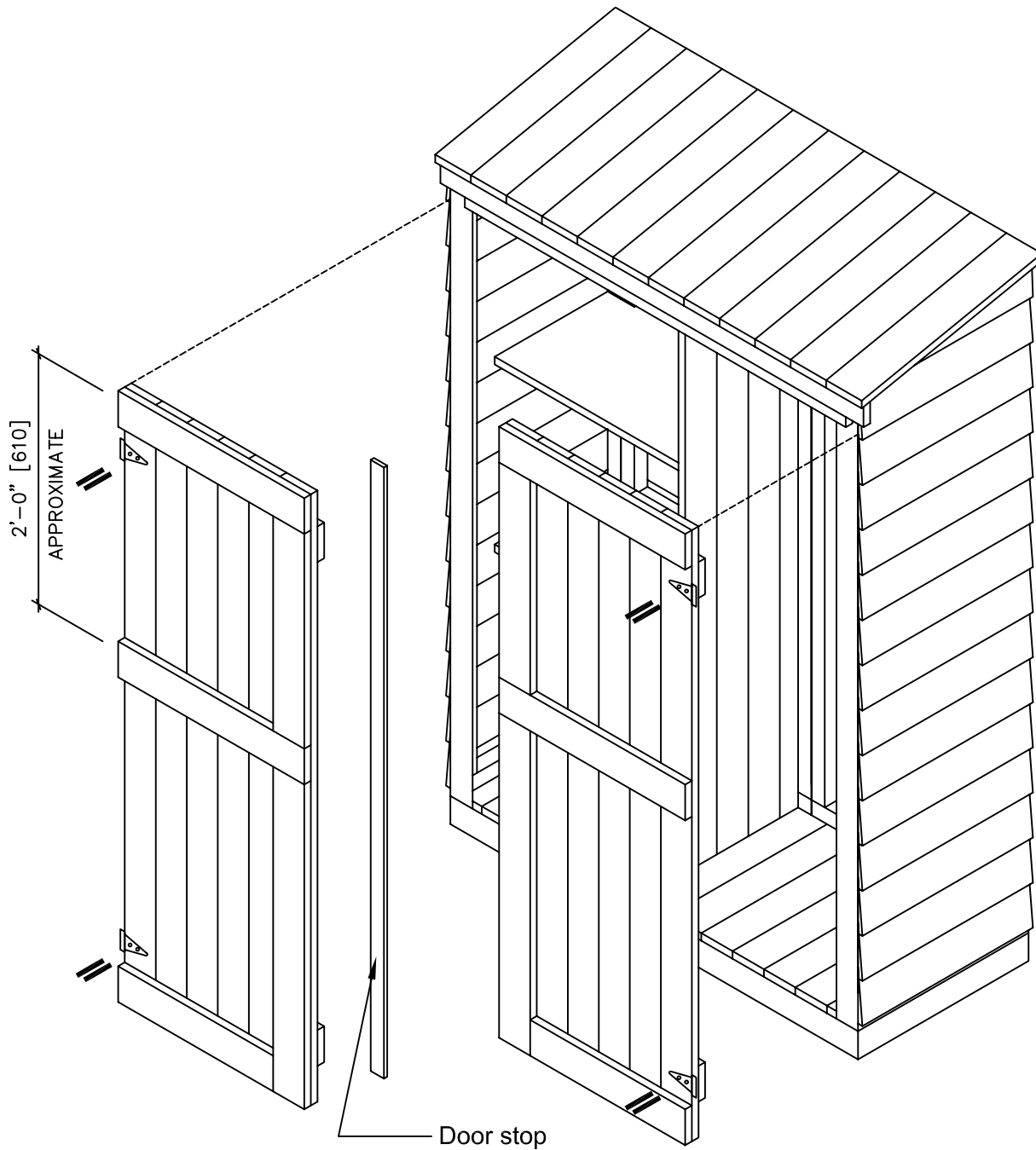
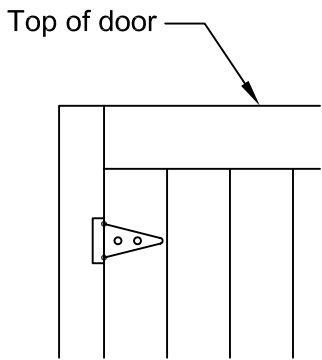
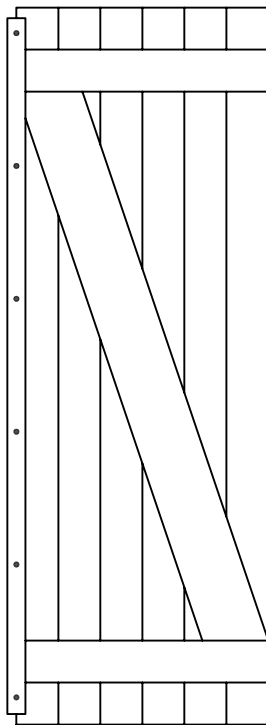


Figure 12



HINGE PLACEMENT

19. The hinge pin should sit right over top of the seam between the door and the door trim. Using the 1/8" drill bit pre-drill holes before mounting the hinge screws. First mount hinges to the then use the door spacer shim supplied, to raise the door above the front floor trim to the proper clearance height then mark the screw locations on the door trim. Pre-drill with 1/8" drill bit then mount door to the front.



INSIDE VIEW OF DOOR

20. Using the 1/8" drill bit, pre-drill the holes on the door stop before mounting on the door. Use about 6 - 1 1/8" nails to affix the door stop to the door.

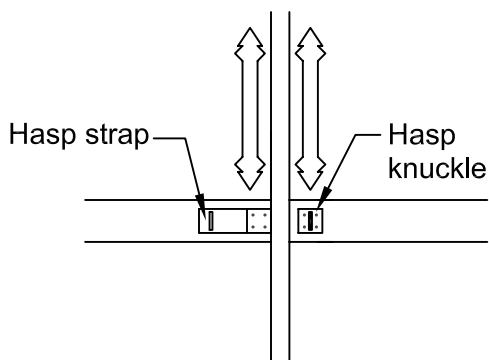


FIGURE FOR
DOOR HARDWARE

21. Door handle and hasp placement. Pre-drill holes using the 1/8" drill bit. Use the black screws provided, see "Figure for Door Hardware" for details.
NOTE: The screws may come through the door, if so, use a metal file to dull the protruding point of the screw.

