

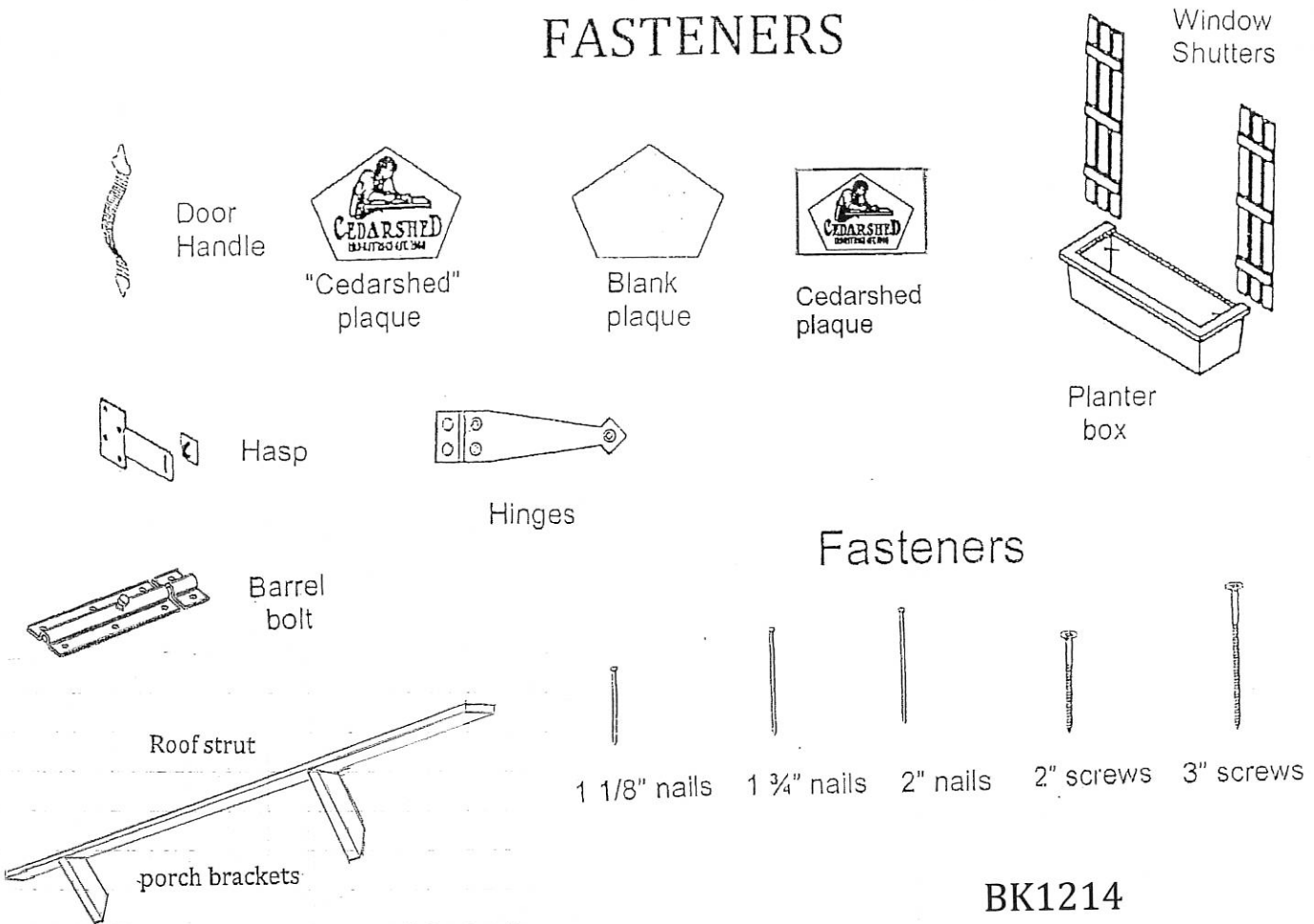
BUNKHOUSE 12 x 14

12 Ft x 14 Ft

MODEL BK1214



ACCESSORIES, HARDWARE, AND FASTENERS



BK1214

PART #	DESCRIPTION	DIMENSIONS (where app.)	# OF PCS
ACCESSORIES			
P-H-PLAQSL	square CS plaque	square CS plaque	1
P-H-PLAQNL	peak plaque	peak plaque	2
P-FW-001	window box	window box	2
P-SH-001	shutters	shutters	4
P-H-RFLT12	roofing felt	1 ft x 5 ft	5 sq ft
P-H-RCAP24	ridge caps	24"	9
P-H-MFLASS	roof flashing	3" x 12"	51
P-1C672	roof strut	1F x 6 x 72	1
P-238Y	porch brackets	2 x 3 x 8	2
FASTENERS			
P-H-NL1.125	nails	1 1/8" nails	25
P-H-NL1.75	nails	1 3/4" nails	400
P-H-NL2	nails	2" nails	50
P-H-SC2	2" screws	2" Screws	425
P-H-SC3	3" screw	3" Screws	550
DOOR AND HARDWARE			
C-DR-003	Dutch door	Dutch door	1
P-H-THING6	T-Hinges	6" T-hinges	4
P-H-BBLT4	barrel bolt	4" barrel bolt	1
P-H-DHAND	door handle	door handle	1
P-H-HASP	hasp	hasp	1
Instruction manual, questionnaire and driver bit			

Ridge Porch Models

To build this model of shed, please use this Model Specific Instruction Manual along with the "ASSEMBLY INSTRUCTIONS FOR THE RIDGE PORCH OPTION, and the "STANDARD SHED INSTRUCTION MANUAL".

These three documents will give you all the information necessary to complete this project.

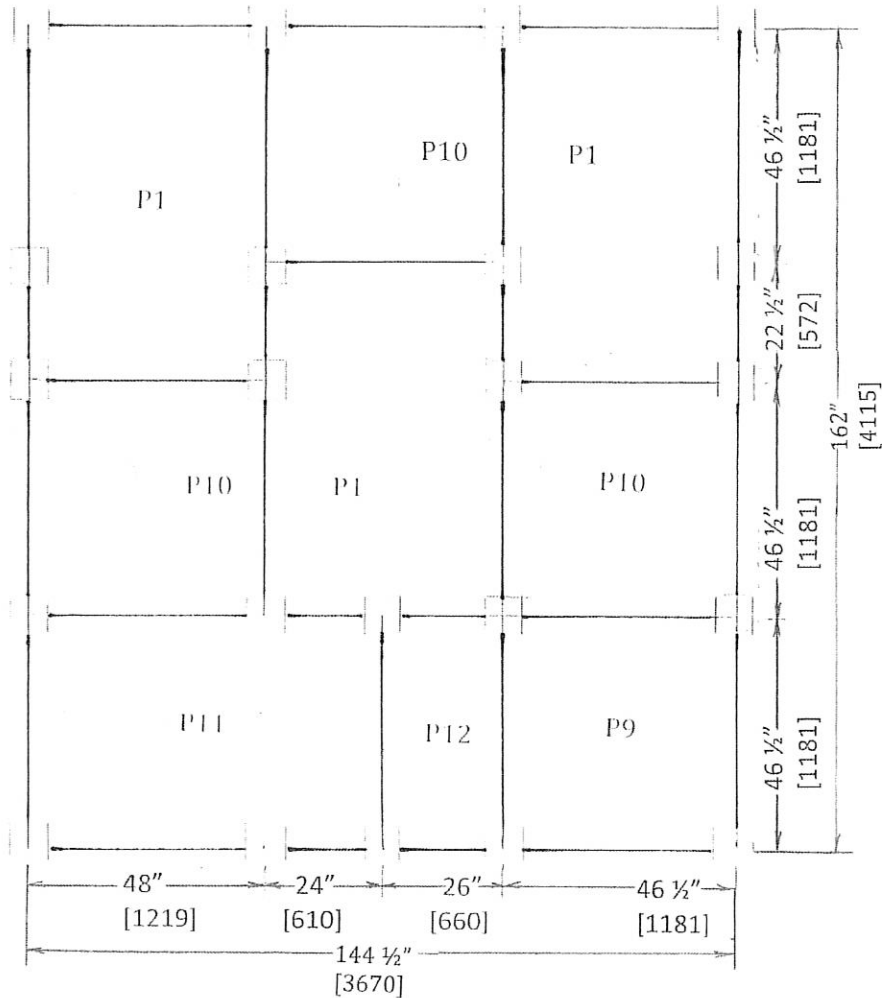
This manual outlines the specific parts needed to complete each stage, while the other manuals will give specific details on how to perform each stage. If you should have any questions please contact us at 1-800-830-8033 or sales@cedarshed.com.

DO NOT CUT any parts until you check with a CedarShed support team member.

For this model the stages of construction are as follows:

1. JOIST BOX ASSEMBLY
2. JOIST STRUCTURE ASSEMBLY
3. LEVELING OF JOIST STRUCTURE
4. INSTALLATION OF PLYWOOD FLOORING AND DECK BOARDS
5. STAGE 1 - WALL INSTALLATION
6. STAGE 1 - TRIM INSTALLATION
7. STAGE 2 - WALL INSTALLATION
8. TOP PLATE INSTALLATION
9. STAGE 1 - ROOF INSTALLATION
10. STAGE 2 - ROOF INSTALLATION
11. STAGE 2 - TRIM INSTALLATION
12. STAGE 3 - TRIM INSTALLATION
13. FINISHING TOUCHES

BEARING POINTS FOR 1214 AND BUILDING THE FLOOR JOIST BOXES



RIDGE PORCH SIDE

Each bearing point represents a spot where the joist boxes intersect each other. Using a cement block at each of these points, level the joist structure once the joist boxes have been affixed together. Use the diagram above to plot the bearing points on your building site. Please note that these are the minimum number of bearing points and you may wish to use additional cement blocks as need would justify.

FLOOR JOIST PARTS

PART #	DESCRIPTION	DIMENSIONS (where app.)	# OF PCS
FLOOR PARTS			
P-2423	joist	2 x 4 x 23	4
P-2443G	joist	2 x 4 x 43 1/2	4
P-2445	floor joist	2 x 4 x 45	30
P-2446G	rim joist	2 x 4 x 46 1/2	12
P-2469	rim joist	2 x 4 x 69	10
P-G4B34G	joist trim board	1/2 x 4 1/8 x 34 1/2	2
P-G4B46G	joist trim board	1/2 x 4 1/8 x 46 1/2	1

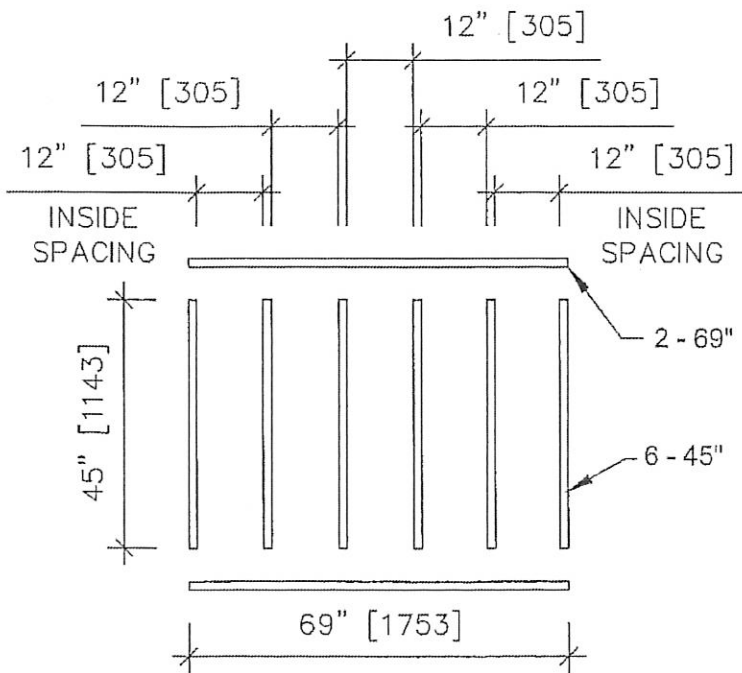
BUILDING OF JOIST BOXES

By using the joist parts as outlined above and the instructions in the next few pages, assemble the joist boxes accordingly. There are various of joist boxes that make up the joist structure. The number of each size is outlined in the table below.

JOIST BOXES REQUIRED FOR THIS MODEL		
Joist Box #	Joist Box Size	# of Boxes Req'd
P1	69" x 48"	3
P9	46 1/2" x 46 1/2"	1
P10	46 1/2" x 48"	3
P11	46 1/2" x 72"	1
P12	46 1/2" x 24"	1

JOIST BOX ASSEMBLY

Lay the joist parts out as per Fig P1 - 1. Using 2 - 3" screws per joint, assemble the joist box together as per Fig P1 - 2. The completed joist box is pictured in Fig P1 - 3.



69" x 45" floor panel layout.
Fig. P1 - 1

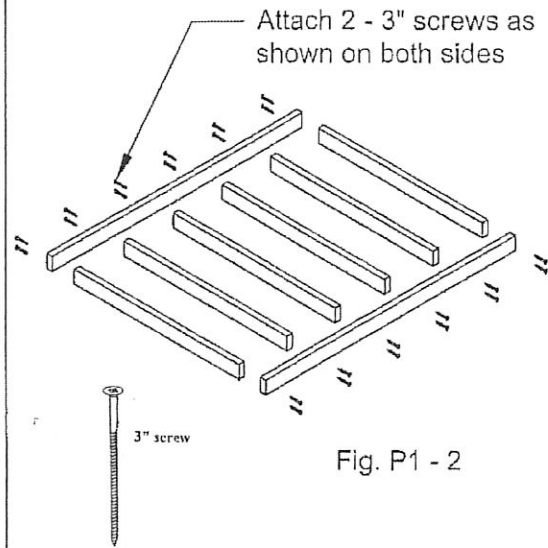


Fig. P1 - 2

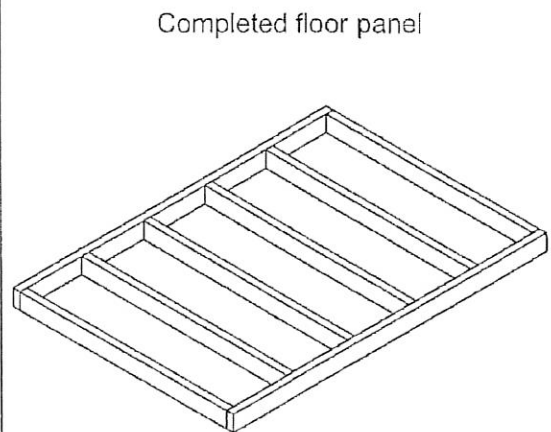
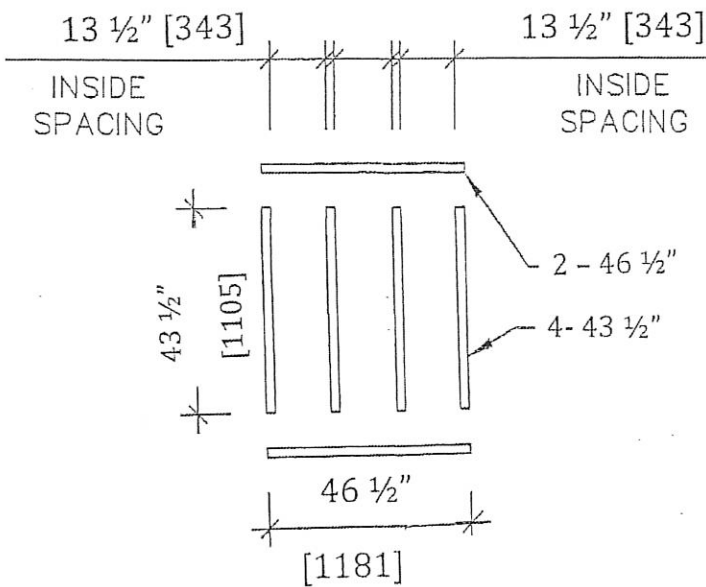


Fig. P1-3

JOIST BOX ASSEMBLY

Lay the joist parts out as per Fig. P9-1. Using 2- 3" screws per joint, assemble the joist box together as per Fig P9-2. The completed joist box is pictured in Fig. P9-3.



46 1/2" x 46 1/2" joist box layout

Fig P9-1

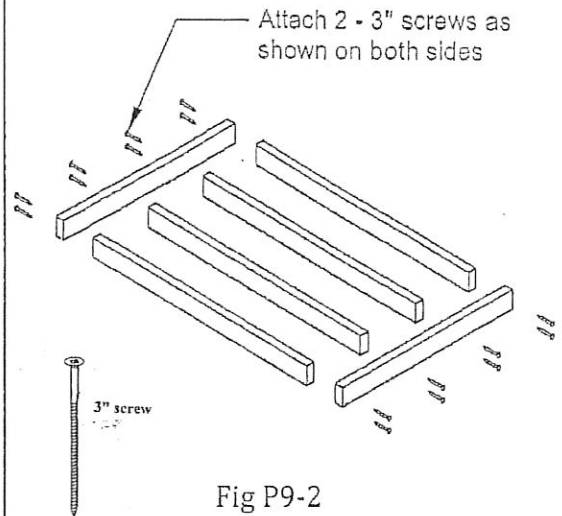


Fig P9-2

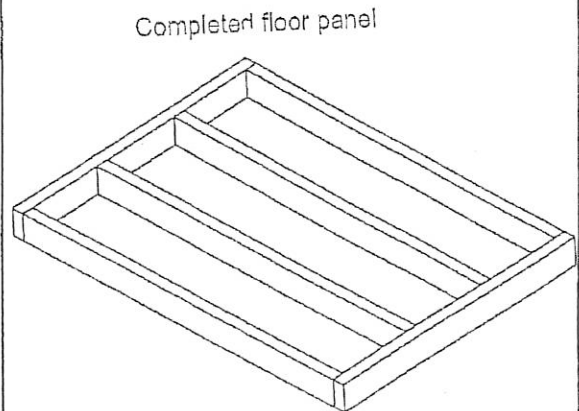
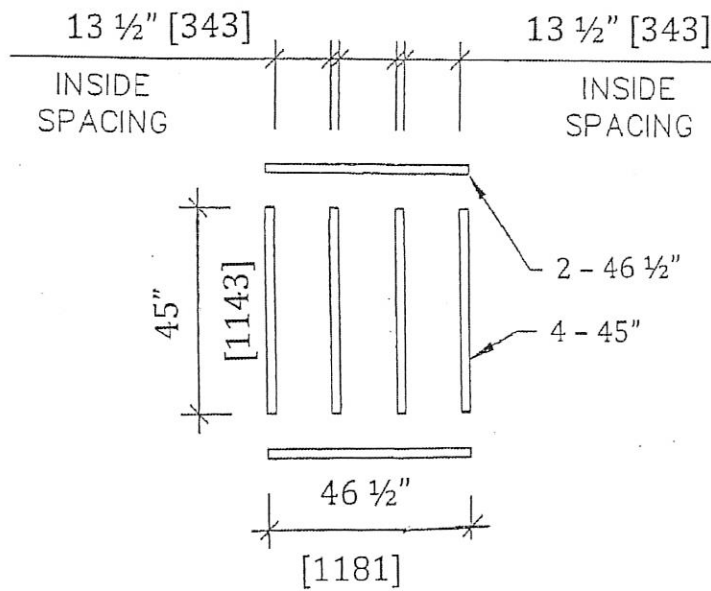


Fig P9-3

JOIST BOX ASSEMBLY

Lay the joist parts out as per Fig. P10-1. Using 2- 3" screws per joint, assemble the joist box together as per Fig P10-2. The completed joist box is pictured in Fig. P10-3.



46 1/2" x 48" joist box layout

Fig P10-1

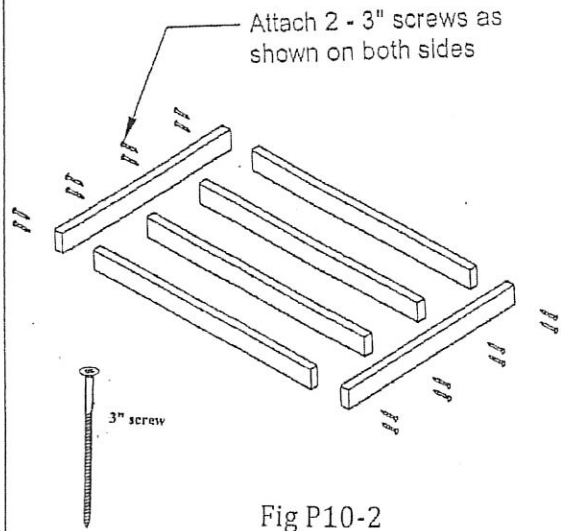


Fig P10-2

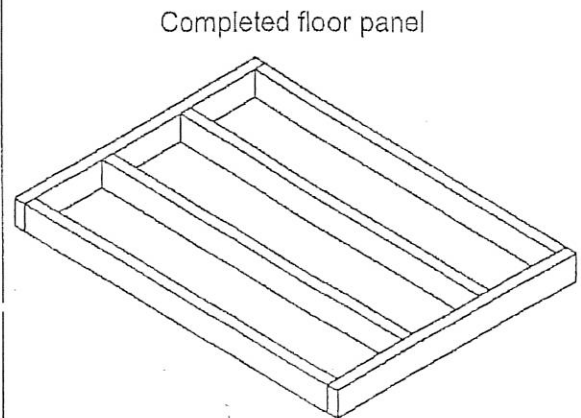
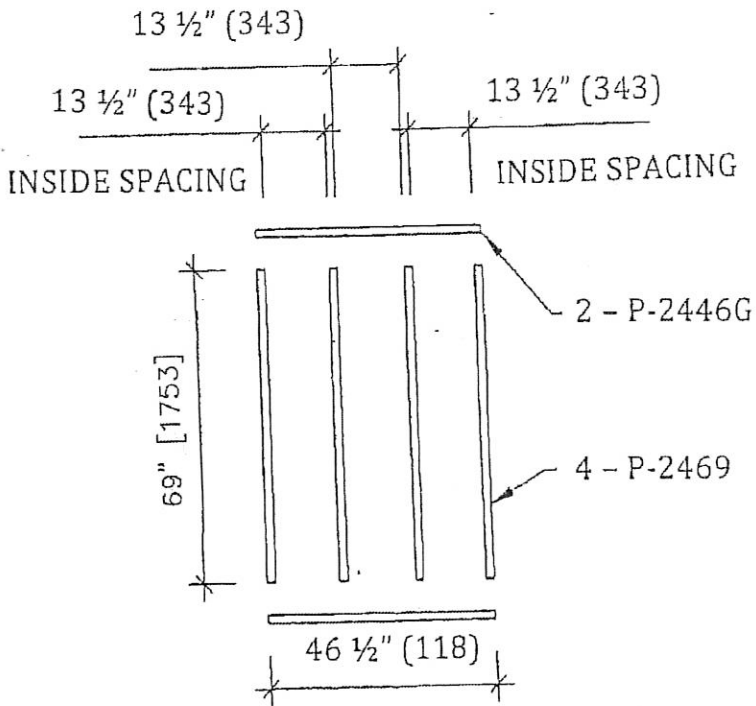


Fig P10-3

46 1/2" X 72" Joist Box - P11

JOIST BOX ASSEMBLY

Lay the joist parts out as per Fig P11-1. Using 2-3" screws per joist assemble the joist box together as per Fig. P-11-2. The completed joist box is pictured in Fig. P11-3



46 1/2" x 72" floor panel layout.

Fig P11-1

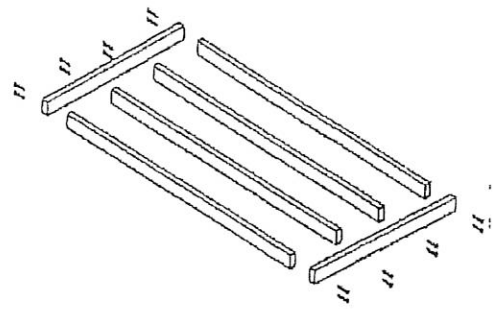
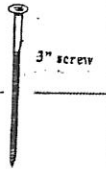


Fig P11-2



3" screw

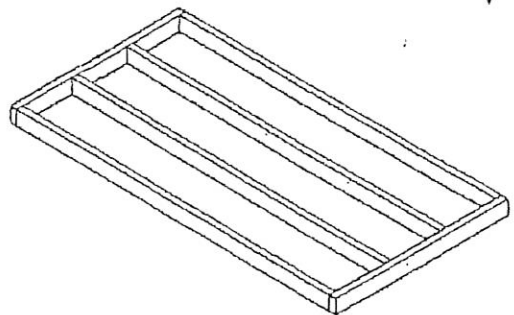
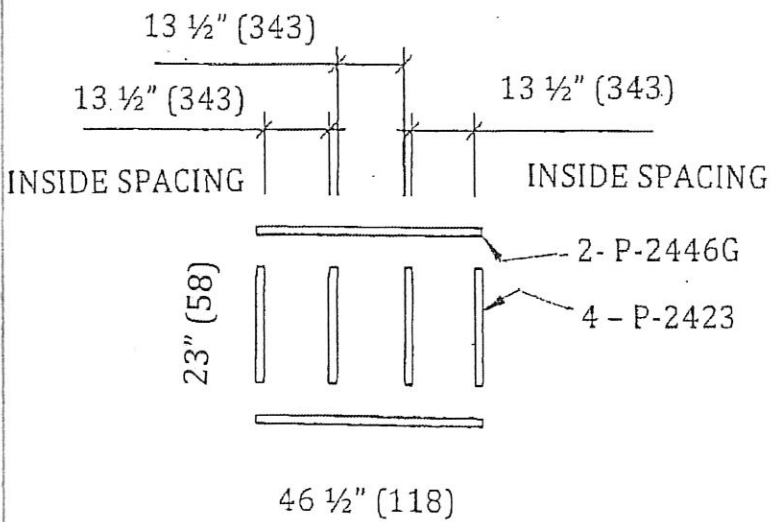


Fig. P11-3

46 1/2" X 26" Joist Box - P12

JOIST BOX ASSEMBLY

Lay the joist parts out as per Fig. P12-1. Using 2-3" screws per joist assemble the joist box together as per Fig 12-2. The completed joist box is pictured in Fig. P12-3.



46 1/2" x 26" floor panel layout

Fig P12-1

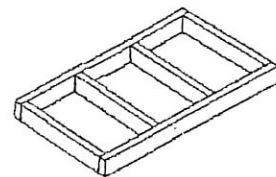
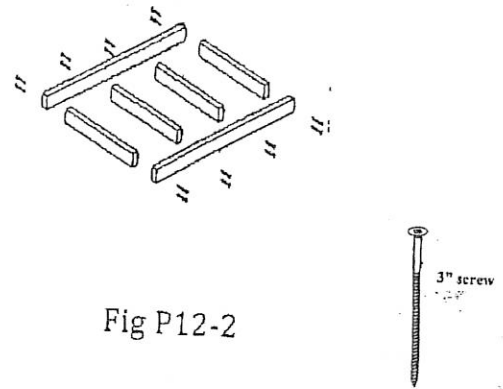
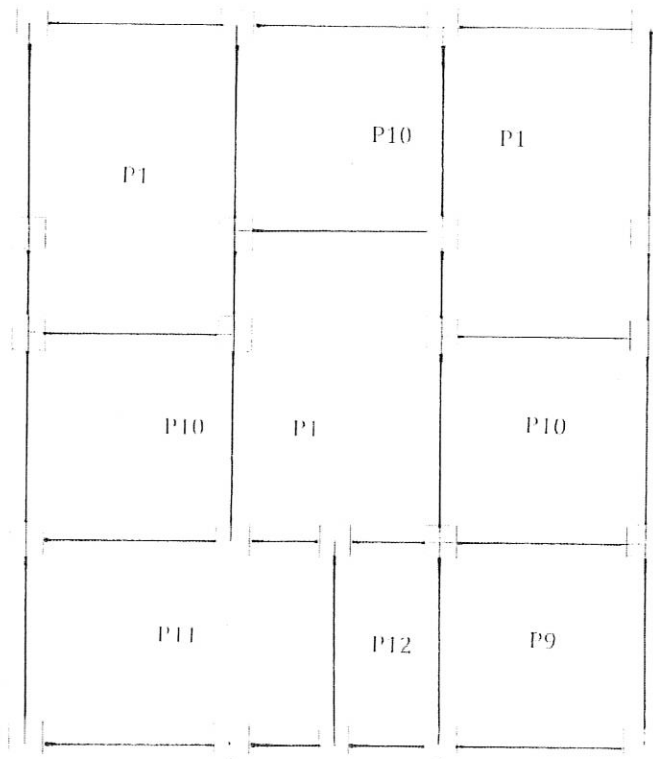


Fig. P12-3

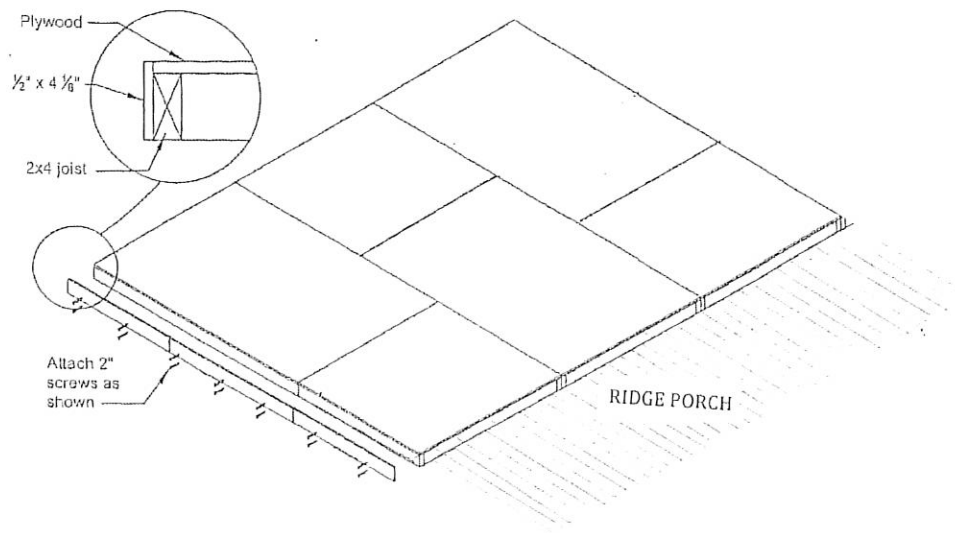


RIDGE PORCH SIDE

COMPLETING THE FLOOR JOIST STRUCTURE

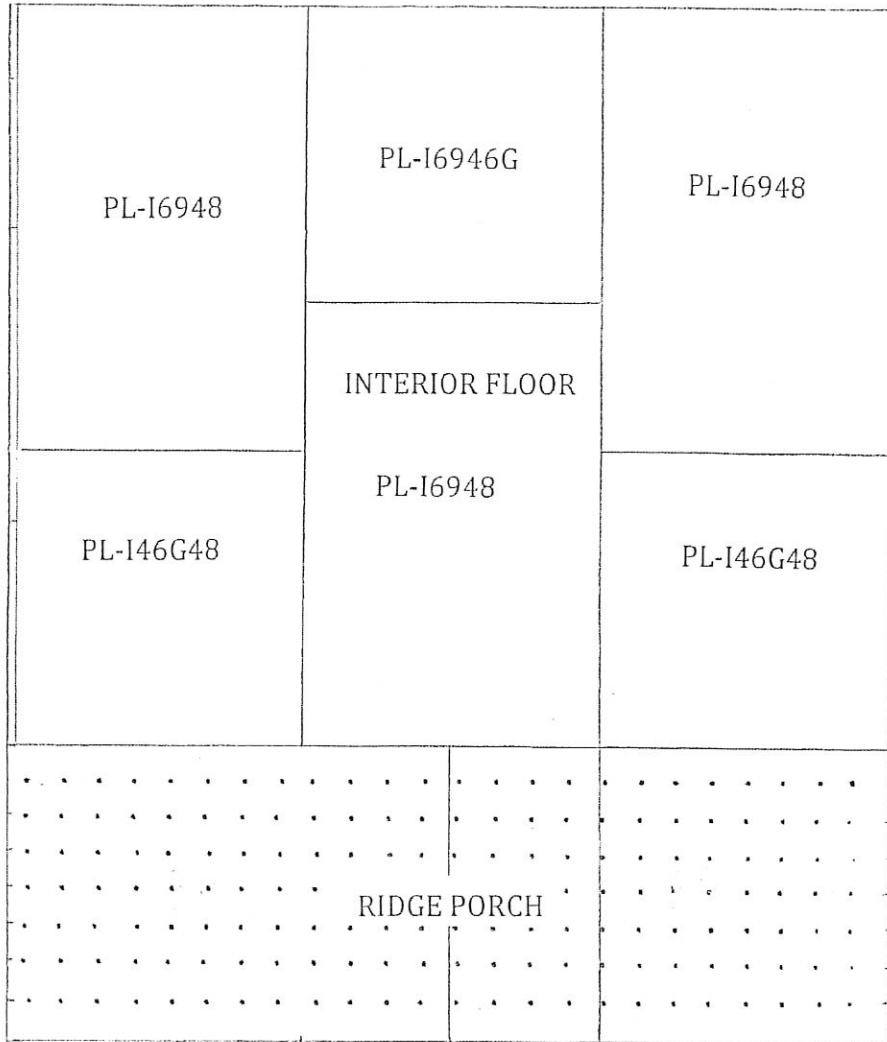
Take the joist boxes and affix them as per the diagram above. Use 3" screws every 12" to affix all the joist boxes together. Once complete, lay the joist structure on top of the building site and level the joist structure on top of the cement blocks. Please use the cedar packaging blocks to assist in the levelling process. Make sure when level the joist structure clears the ground. This will allow the proper air circulation to prevent dry rot occurring on the joist structure.

There may be a need to affix joist trims on your specific model. If it is required the diagram below will show installation details.



INSTALLATION OF PLYWOOD PANELS AND RIDGE PORCH DECKING

The next few pages will outline the steps to install the plywood flooring and the deck boards to the ridge porch areas.



PART #	DESCRIPTION	DIMENSIONS (where app.)	# OF PCS
FLOOR PLYWOOD AND DECK BOARD PARTS			
P-1446G	floor board	1 x 4 x 46 1/2	41
P-PL-I6948	plywood	5/8 x 69 x 48	3
P-PL-I46G48	plywood	5/8 x 46 1/2 x 48	3

INSTALLATION OF PLYWOOD FLOORING & ADDITIONAL JOIST FOR GABLE PORCH SECTIONS

Now lay the plywood sheets over top of the joist frame. Each sheet of plywood (based on size) will lay over top of the various floor boxes that have been built and attached together. Then by using the 2" screws provided, affix each sheet using a screw every 12" on centre on each of the joist members (rows). As an example, to affix a 69" by 48" sheet to the joist frame would require 30 screws (6 joist members by 5 screws per row. See Fig 3 for details

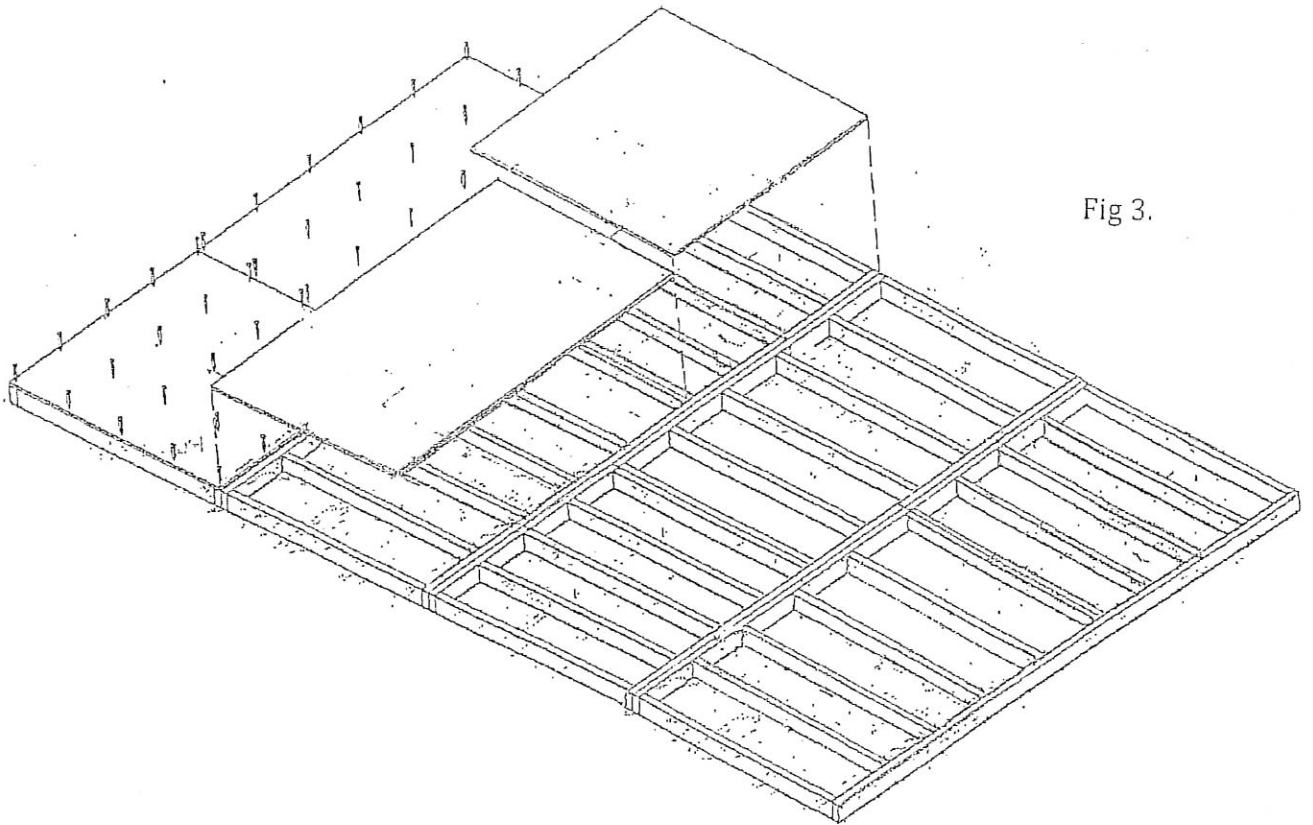
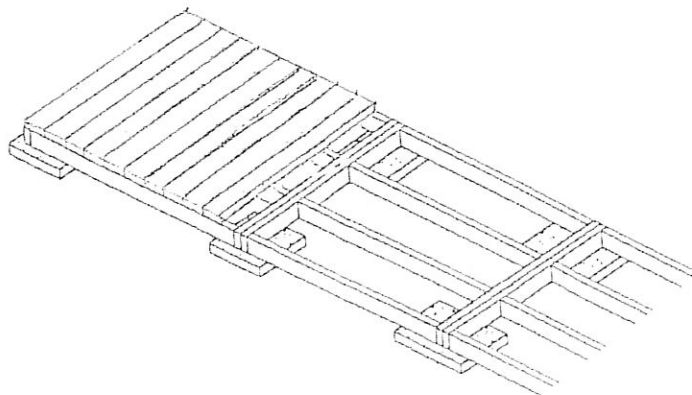
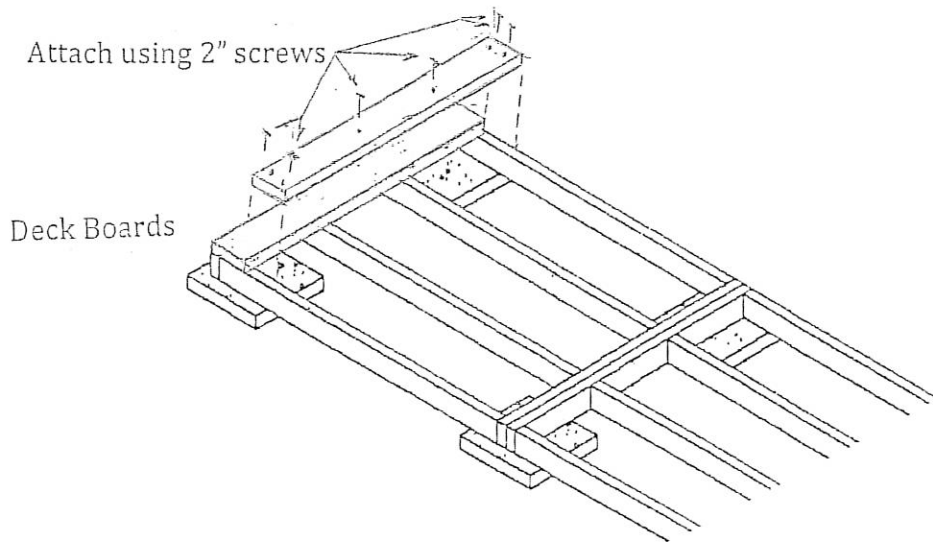
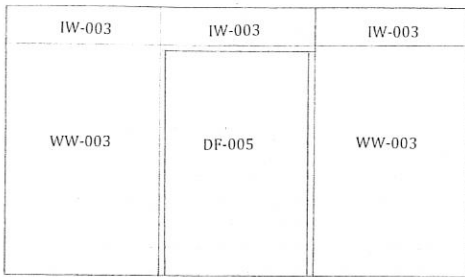


Fig 3.

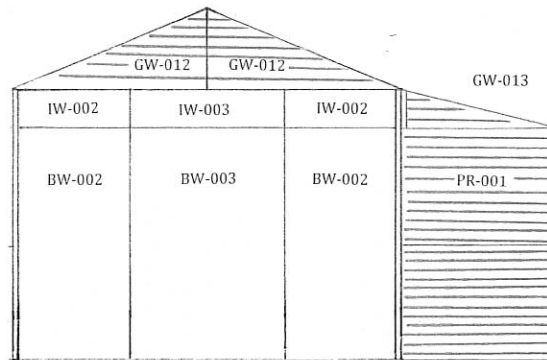
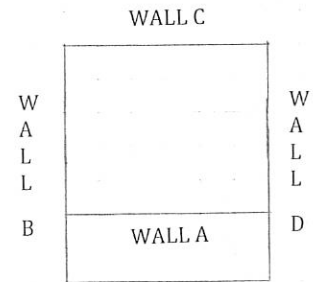
Lay the 46 1/2" long deck boards over top of the level floor joist structure. Use 2- 2" screws to attach the ends of each board and 1-2" screw to affix to the interior joist. The number of deck boards will vary based on the width of each board.

Size of deck	No. of boards in 2 1/2" width	No. of boards in 3 1/2" width
9x4	44	31
12x4 (6)	57	41
12x4 (8)	57	41
16x4	76	54
20x4	95	67

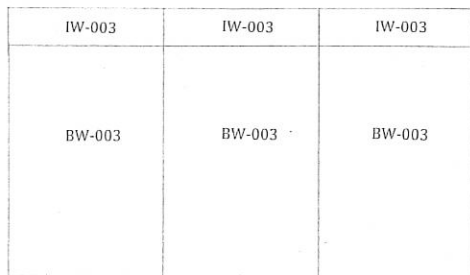




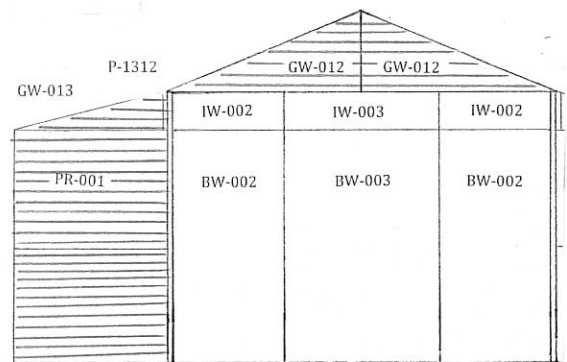
WALL A



WALL B



WALL C

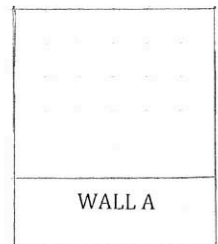
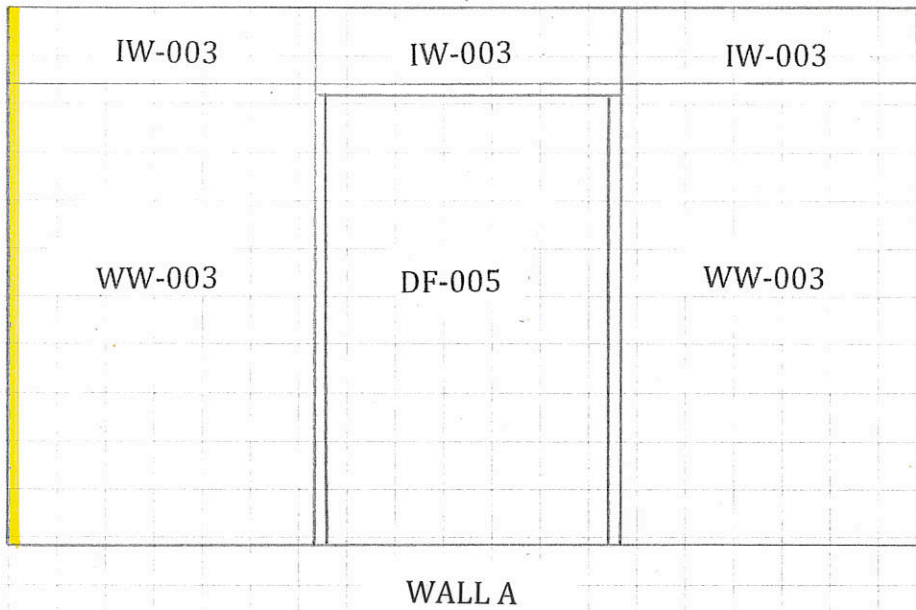


WALL D

**SHADED PANELS WILL BE INSTALLED
IN WALL INSTALLATION - STAGE 2**

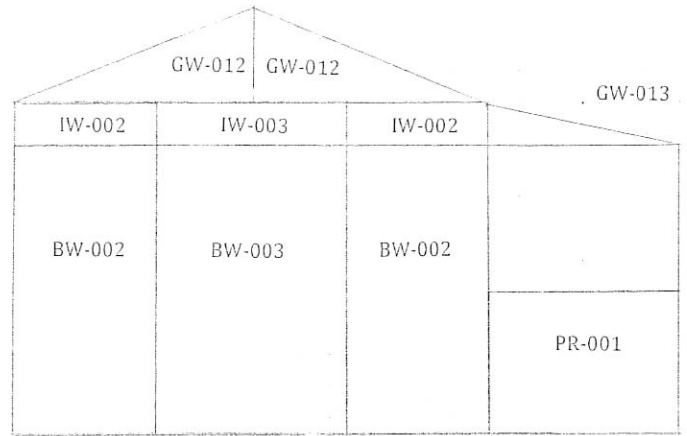
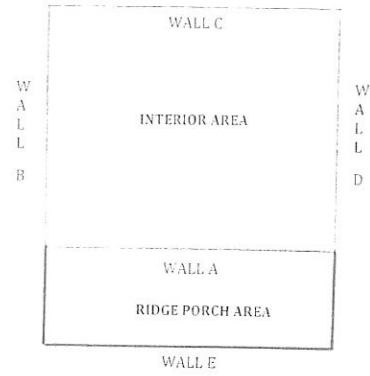
WALL INSTALLATION - STAGE 1

PART #	DESCRIPTION	DIMENSIONS (where app.)	# OF PCS	CODE
P-2334G	header	2 x 3 x 34 1/2	4	not shown
P-2346G	header	2 x 3 x 46 1/2	5	not shown
C-BW-002	wall panel	34 1/2" wall panel	4	BW-002
C-BW-003	wall panel	46 1/2" wall panel	5	BW-003
C-IW-002	in-fill wall	34 1/2" in-fill wall	4	IW-002
C-IW-003	in-fill wall	46 1/2" in-fill wall	8	IW-003
C-DF-005	door frame	single door frame	1	DF-005
C-WW-003	window wall	46 1/2" window wall	2	WW-003

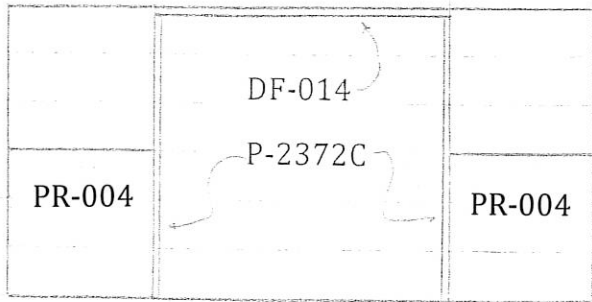


TRIM INSTALLATION - STAGE 1

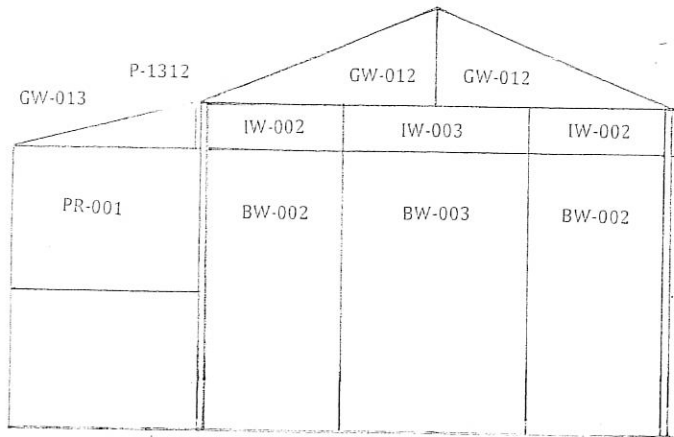
PART #	DESCRIPTION	DIMENSIONS (where app.)	# OF PCS	CODE
P-13C87	corner trim	1 x 3 1/4 x 87	2	



WALL B



WALL E



WALL D

WALL INSTALLATION - STAGE 2

PART #	DESCRIPTION	DIMENSIONS (where app.)	# OF PCS	CODE
C-PR-001	porch section	45 3/4 x 74 3/4	2	PR-001
C-PR-004	porch section	33 3/4 x 74 3/4	2	PR-004
P-2372C	door post	2 x 3 x 72 1/4	2	P-2372C
C-DF-014	horizontal door frame	2 1/2 x 72	1	DF-014



SIDE VIEW

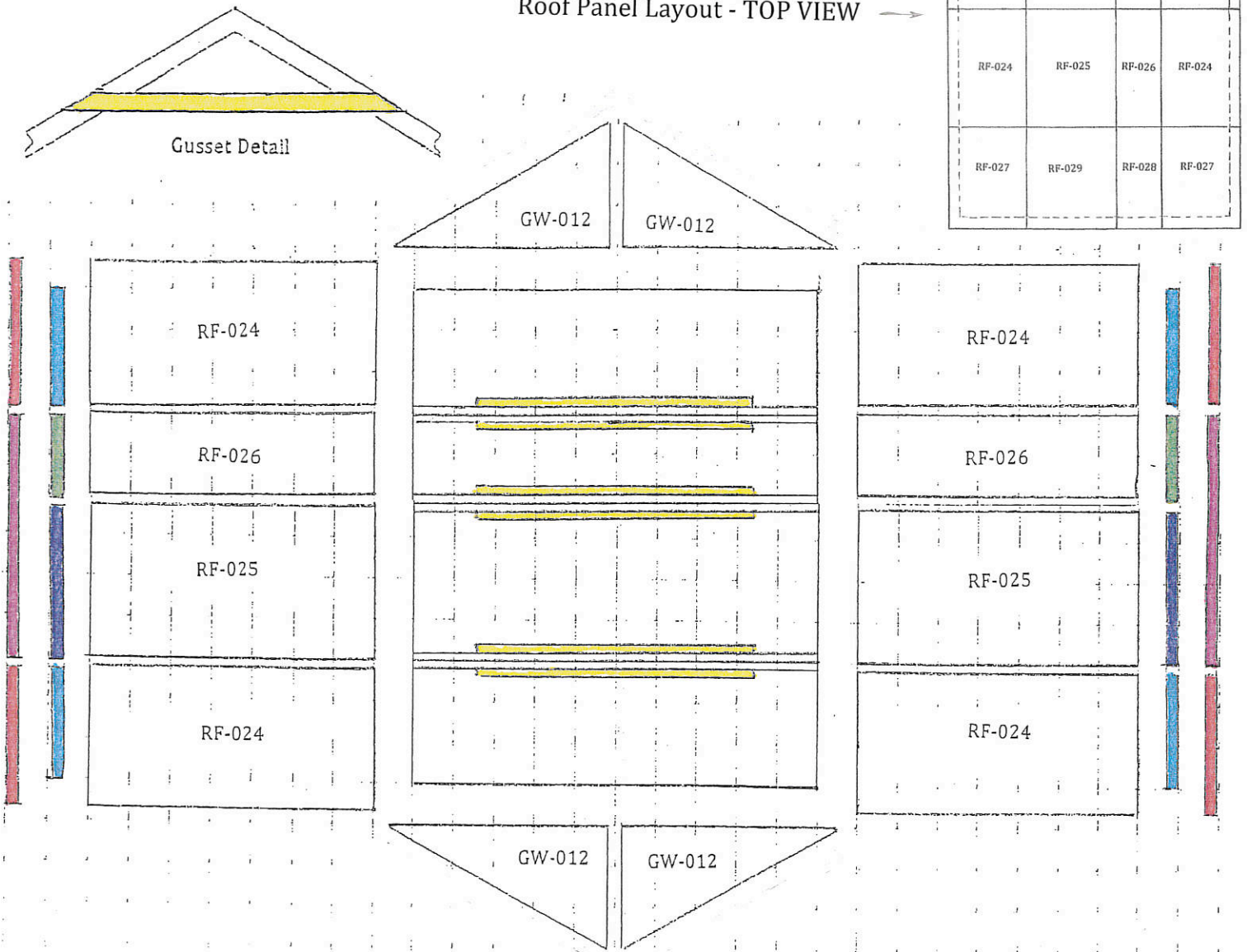
Gable wall (GW-013)
to be installed
later

TOP VIEW

TOP PLATE INSTALLATION

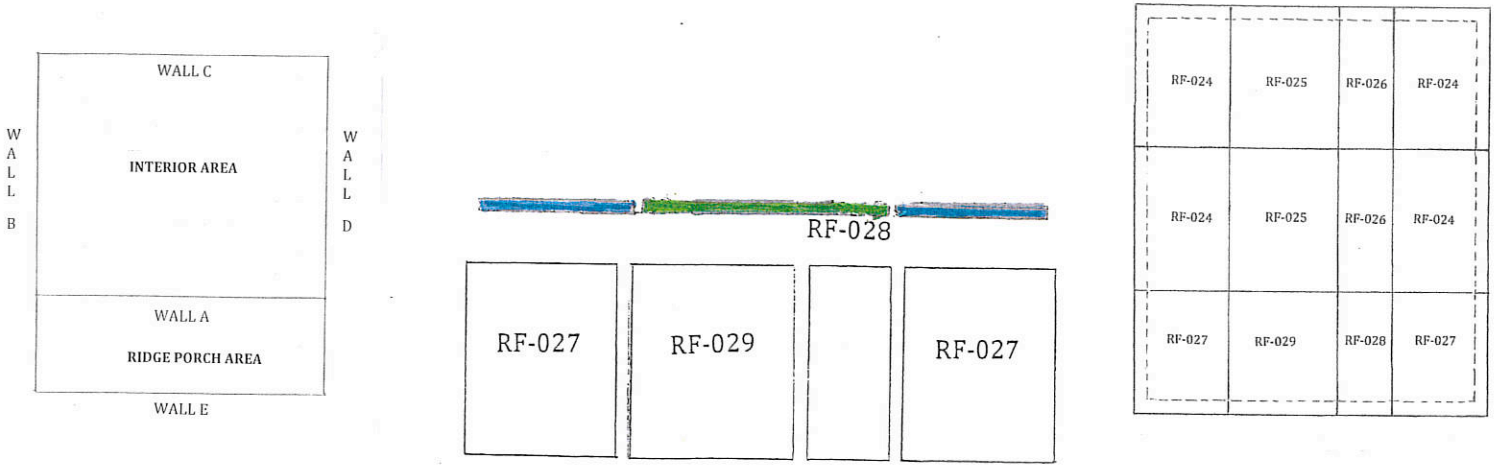
PART #	DESCRIPTION	DIMENSIONS (where app.)	# OF PCS	CODE
P-2343C	top plates	2 x3 x 43 1/4	2	
P-2355C	top plates	2 x 3 x 55 1/4	4	
P-2372C	top plates	2 x 3 x 72 1/4	6	

Roof Panel Layout - TOP VIEW

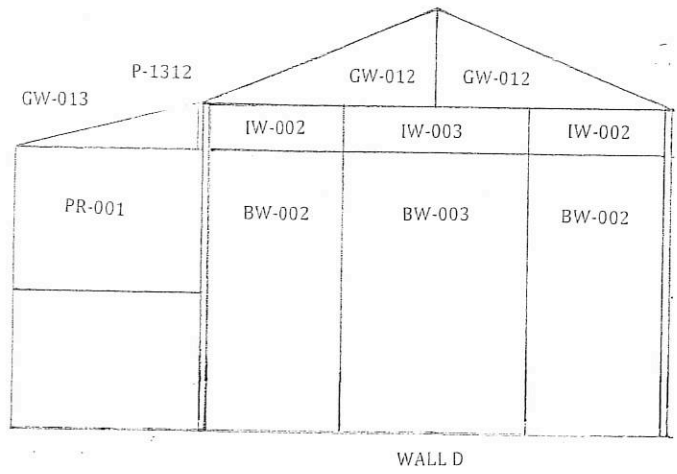
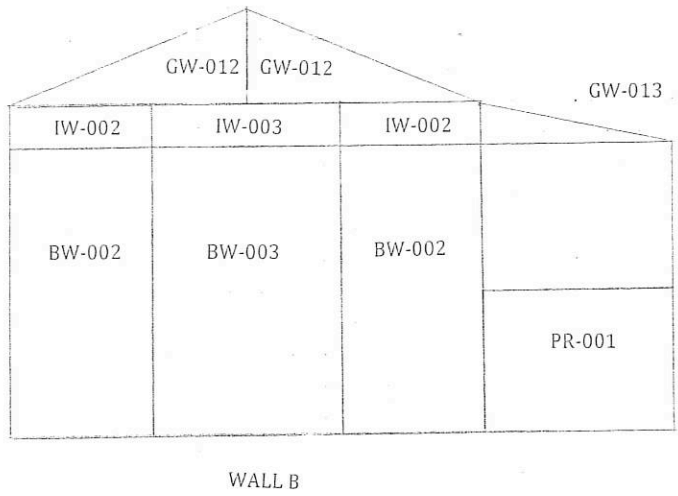


ROOF INSTALLATION - STAGE 1

PART #	DESCRIPTION	DIMENSIONS (where app.)	# OF PCS	CODE
P-2371KYb	gusset	2 x 3 x 71 3/4	6	
C-GW-012	gable wall	25 3/4 x 67 1/8	4	GW-012
C-RF-024	roof panel	42 3/4 x 67 1/8	4	RF-024
C-RF-025	roof panel	46 1/2 x 67 1/8	2	RF-025
C-RF-026	roof panel	24 x 67 1/8	2	RF-026
P-B-G424	soffits	1/2 x 4 x 24	2	
P-B-G437	soffits	1/2 x 4 x 37	4	
P-B-G446G	soffits	1/2 x 4 x 46 1/2	2	
P-1442	fascia	1 x 4 x 42	4	
P-1470G	fascia	1 x 4 x 70 1/2	2	
P-H-RCAP24	ridge caps	24"	18	not shown

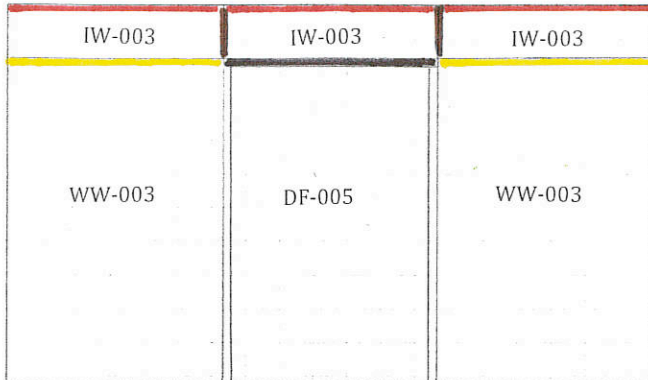


Roof Panel Layout - TOP VIEW

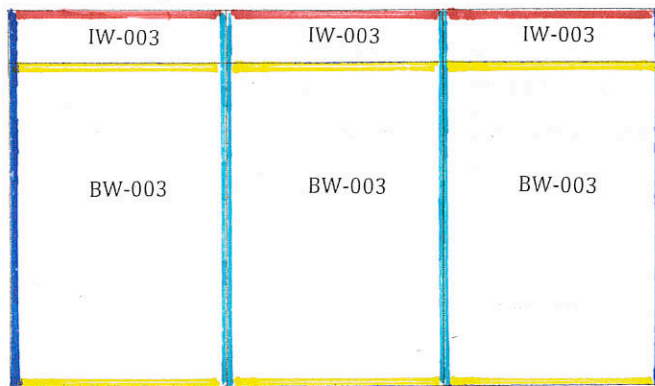
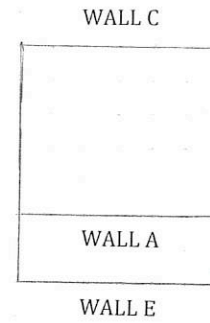


ROOF INSTALLATION - STAGE 2

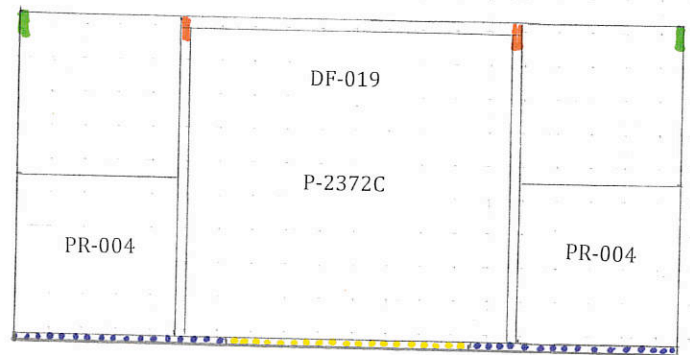
PART #	DESCRIPTION	DIMENSIONS (where app.)	# OF PCS	CODE
C-GW-013	gable wall	11 1/2 x 47	2	GW-013
C-RF-027	roof panel	42 3/4 x 47	2	RF-027
C-RF-028	roof panel	24 X 47	1	RF-028
C-RF-029	roof panel	46 1/2 x 47	1	RF-029
P-1442	fascia	1 x 4 x 42	2	
P-1470G	fascia	1 x 4 x 70 1/2	1	



WALL A



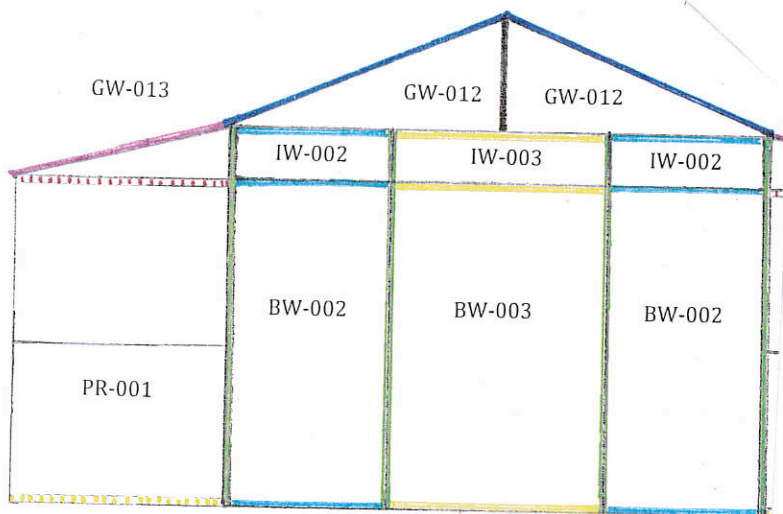
WALL C



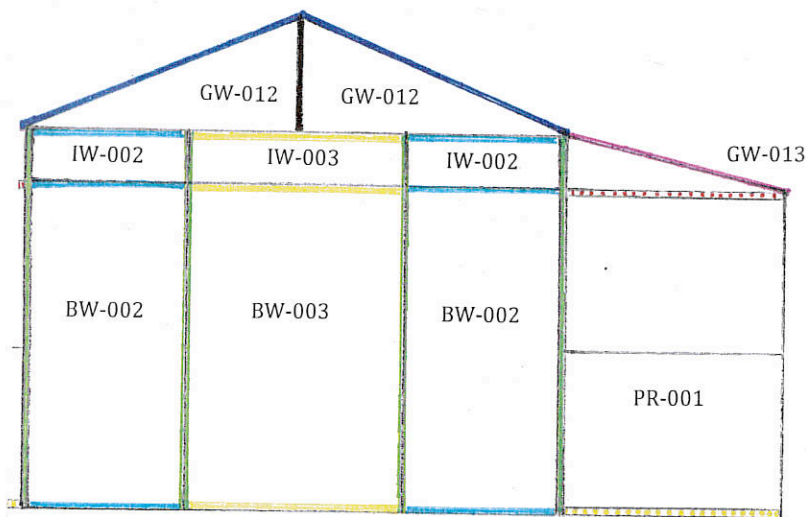
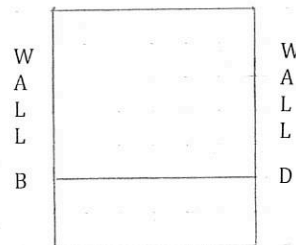
WALL E

TRIM INSTALLATION - STAGE 2

PART #	DESCRIPTION	DIMENSIONS (where app.)	# OF PCS	CODE
P-1210K	trim	1 x 2 x 10 3/4	2	
P-1412XF	trim	1 x 4 x 12	2	
P-1312XF	trim	1 x 3 x 12	2	
P-13C91	corner trim	1 x 3 1/4 x 91	2	
P-1291	trim	1 x 2 x 91	2	
P-B-G445	skirting	1/2 x 4 x 45	6	
P-B-G645	skirting	1/2 x 6 x 45	8	
P-14B48	door skirting	1 x 4 1/8 x 48	1	
P-14B46G	bottom skirting	1 x 4 1/8 x 46 1/2	2	
P-14B53	bottom skirting	1 x 4 1/8 x 53	1	










WALL D



WALL B

TRIM INSTALLATION - STAGE 3

PART #	DESCRIPTION	DIMENSIONS (where app.)	# OF PCS	CODE
P-1226	gable trim	1 x 2 x 26	2	
P-1292C	trim	1 x 2 x 92 1/4	8	
P-B-G633	skirting	1/2 x 6 x 33	12	
P-B-G645	skirting	1/2 x 6 x 45	6	
P-B-G646G	skirting	1/2 x 6 x 46 1/2	2	
P-14B45K	bottom skirting	1 x 4 1/8 x 45 3/4	2	
P-1448GYg	fascia	1 x 4 x 48 1/2	2	
P-1471YA	gable fascia	1 x 4 x 71	4	