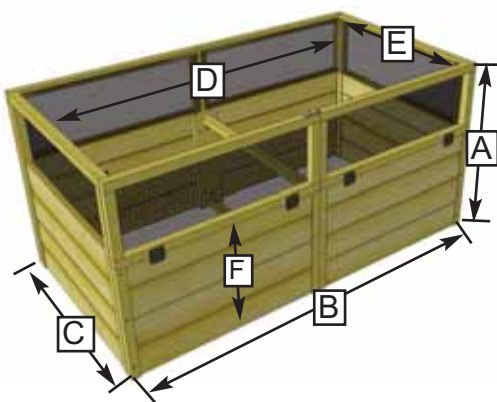


6'X3' Garden in a Box Assembly Manual

Thank you for purchasing a 6' x 3' Garden in a Box. Please take the time to identify all the parts prior to assembly.

Please use Safety Eyewear and Gloves while Assembling. Be sure to read and follow all operating instructions for any tools used during assembly. Remember- NO SAW CUTTING IS REQUIRED!

Safety Points and Other Considerations
Please follow this instruction manual when assembling your Garden in a Box and retain the manual for future maintenance purposes.



Garden in a Box Dimensions:	
A:	Height = 33 1/2"
B:	Outside Width = 72"
C:	Outside Depth = 39"
D:	Inside Width = 69"
E:	Inside Depth = 36"
F:	Height to Bottom of Screen = 21 1/2"

Estimated Assembly Time for the Garden in a Box = 1 Hour.

In the event of a missing or broken piece, simply call the Outdoor Living Today Customer Support Line @ 1-888-658-1658 within 30 days of the delivery of your purchase. It is our commitment to you to courier replacement parts, free of charge, within 10 business days of this notification. Replacement parts will not be provided free of charge after the 30 day grace period.

Exploded View and Parts List for 6'x3' Garden in a Box

Parts List

Panel Section

Part A 4 - Side/Rear Panels
36" wide x 33 1/2" high

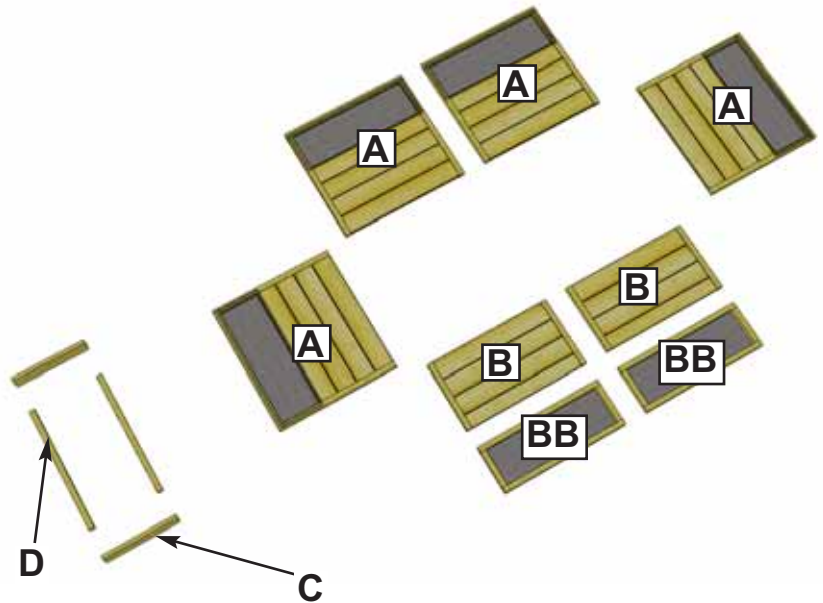
Part B 2 - Front Panels Lower Sections
36" wide x 20" high

Part BB 2 - Front Panels Upper Netted Sections
36" wide x 13 1/2" high

Rib Section

Part C 2 - Bed Rib Connecting Plates
1 1/8" thick x 5 1/2" wide x 20" high

Part D 2 - Bed Rib Frames
1 1/2" thick x 1 1/2" wide x 33 7/8" long



Hardware Kit (Provided)


2 1/2"  x 30 pcs

2"  x 12 pcs

1"  x 16 pcs

3/4"  x 6 pcs


3/4"  x 25 pcs
Black Headed

 x 1 pc
Square Drive Bit

 x 4 pcs
Black Plastic Butt Hinge

 x 1 pc
Silver Barrel Bolt

 x 2 pcs
Eye Hook

 x 4 pcs
Bracket

Tools Required (Not Provided)



Screw Gun/Drill



Tape Measure



Level



Shovel



1/8" Drill Bit

Safety Equipment Required (Not Provided)



Safety Glasses



Work Gloves

To prevent soil seepage and extend the life of your garden bed, we recommend you line the inner walls with landscape fabric or plastic sheeting (not provided) before filling with soil.

Important Information for Homeowner

Selecting a Location - Garden Setting or Patio

Walk around your property and make notes of the following:

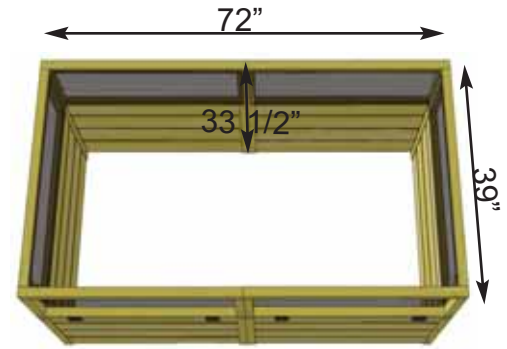
- sunny spots
- slope of the land
- light blocking trees and high buildings.

Don't hide your Garden away in a dark corner.

Ensure you have easy access to it.

Place your Garden on a level piece of land with good drainage. Take into account existing paths and utilities such as electricity and water.

Having a water supply at hand avoids carrying heavy watering cans from the tap to the raised bed.



Preparing the Ground for a Garden Setting

Level ground beneath the raised bed prior to assembly. Your new Garden will be open on the bottom which enables plant roots to access soil nutrients below ground level. If there are gophers or moles in the garden area, lay hardware cloth, rocks or bricks (not included) on the floor of the unit, before adding soil.

Lay down a sand perimeter base for the garden frames to sit on if possible. Sand offers excellent drainage and will make it easier to level bed frames.

The Garden can also be located on almost any flat surface - sand, pebbles/gravel, concrete or asphalt. Preparing the soil and the sand base beneath the garden will not be necessary. Consider lining the garden with landscape fabric to prevent soil from seeping out. Twenty inches of soil should be plenty for most types of vegetables and flowers. Please check growing instructions for root depths prior to planting.

Once the Garden is Assembled - Add Soil

Use a quality soil ideal for growing vegetables, for the top 12 inches (approximately 0.75 cubic yards or 6 - 8 wheelbarrows). Any soil is suitable for the bottom 8 inches (approximately 0.25 cubic yards or 2 - 4 wheelbarrows). Or, you may fill the bottom 8 inches with gravel, pebbles, rocks or wood chips. Most 1/2 ton pickup trucks can haul 1 cubic yard of top soil if this is an option for you. Consider having soil delivered as opposed the buying bags by the cubic foot. There are 27 cubic feet in 1 cubic yard.

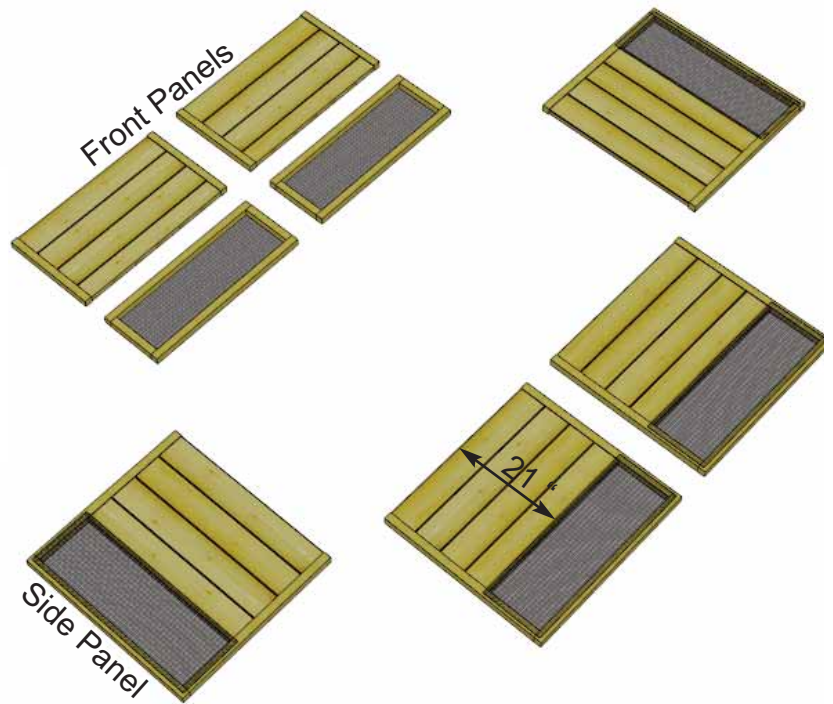
Fill the Garden to the top of the wood framing (the start of the metal screening). In a few weeks, the soil will settle/drop about 4-6 inches. Top up if necessary.

Add soil within two weeks of planting. Fertilizer may be required. Check with your local garden growing expert before adding any fertilizer!

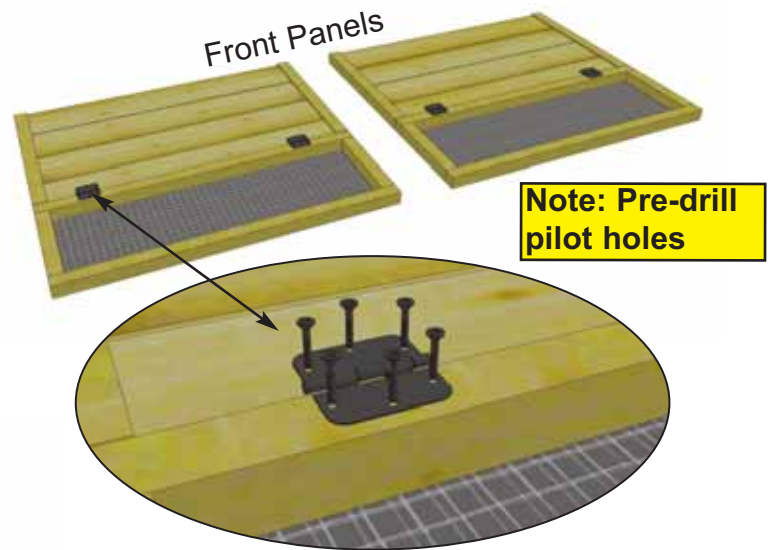
Arranging and Planting Crops

Since requirements vary from region to region on how to arrange and plant crops, we recommend researching thoroughly before planting.

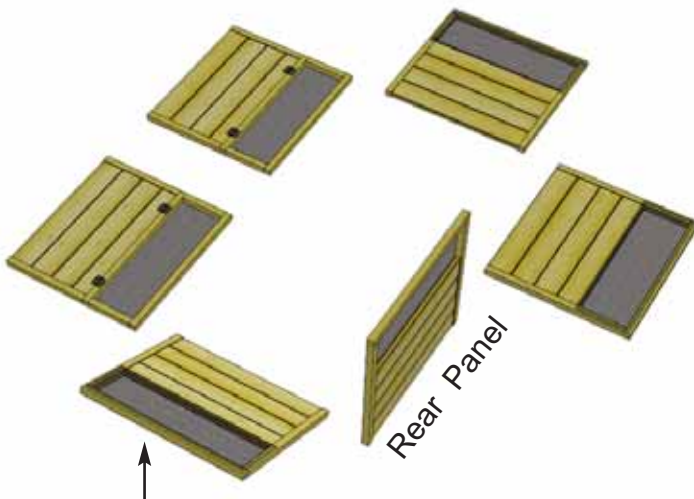
1. Orient Panels as illustrated below. Note that **Parts A & B** - Side/Rear/Front Panels are solid and **Part BB** - Front Panels Netted (2) are frames with netting. When positioning, the wire screen is stapled on the inside of the panel. Be sure to align panels so the wire screen is positioned on the inside of the Raised Bed.



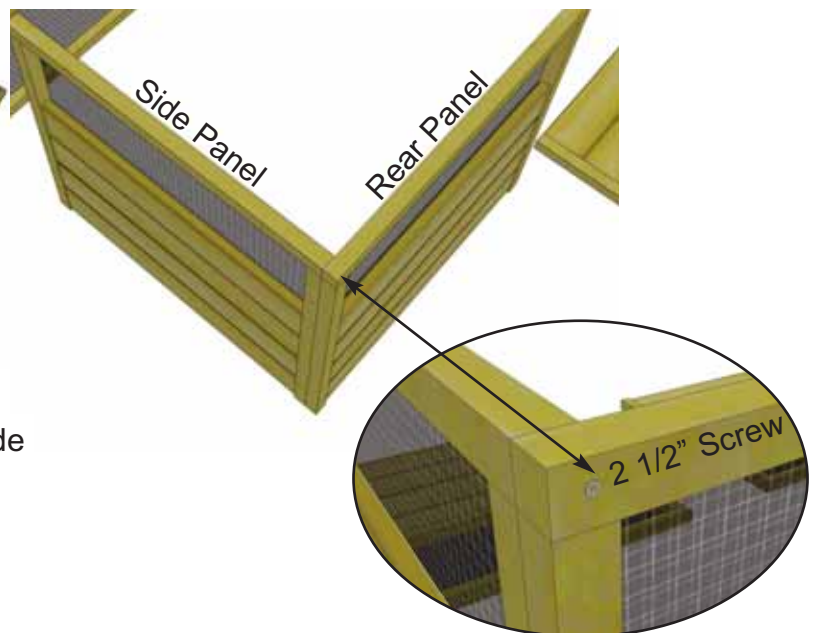
2. Attach 2 **Black Butt Hinges** to each pair of **Panels B & BB**. Space hinges symmetrically across the front of the panels. Use 6 - 3/4" black headed screws per hinge. Pre-drill holes with a 1/8" drill bit to prevent the wood from splitting.

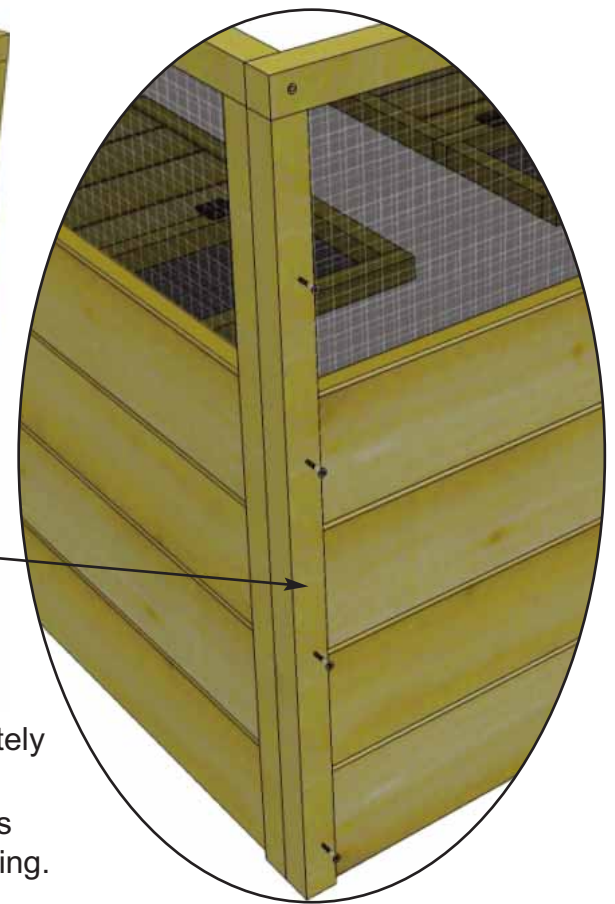
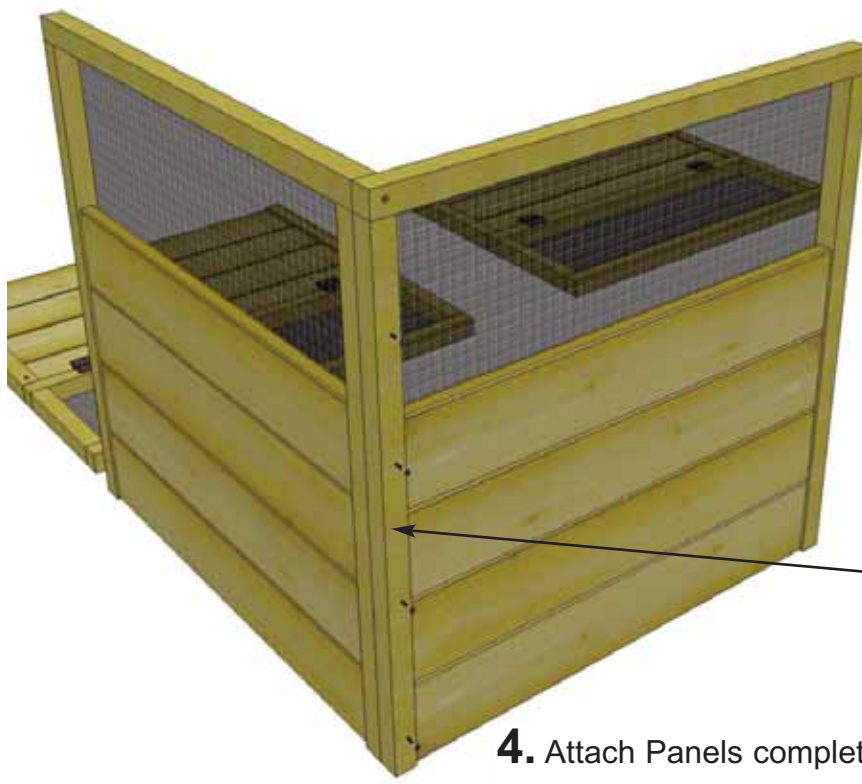


You can find the Square Drive Bit for the screws in with the Hardware Kit Bag.

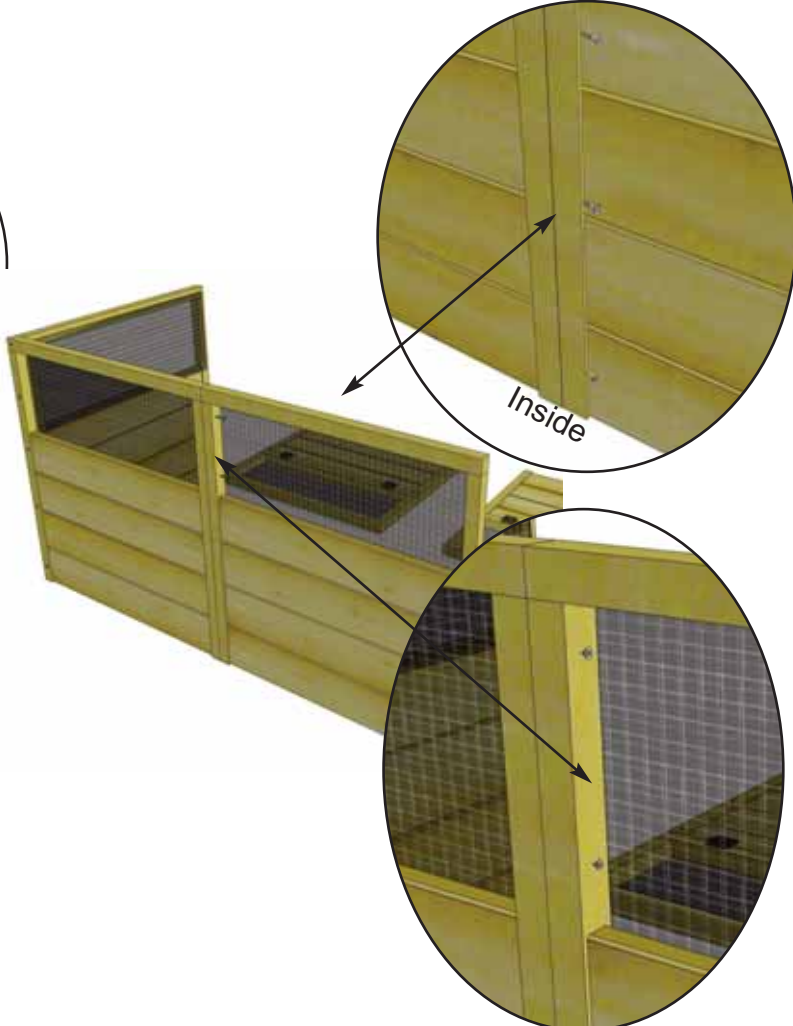
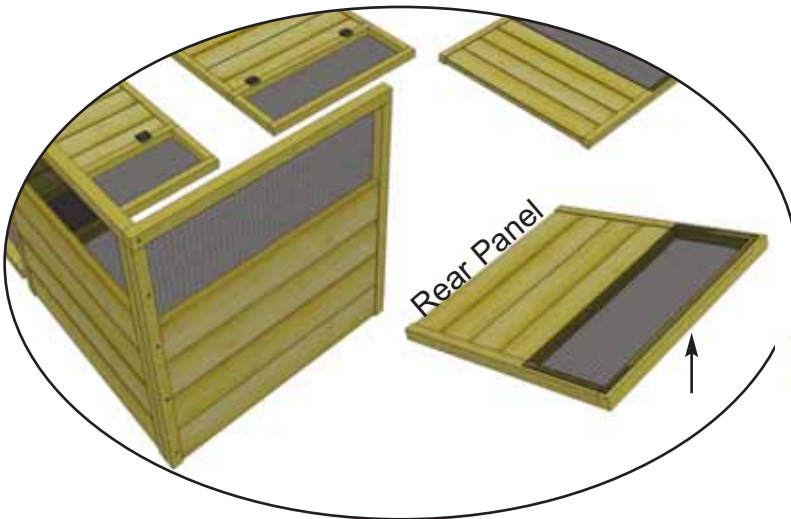


3. Starting in rear corner, position Rear and Side Panels together so framing is flush at top and sides and attach at top with 1 - 2 1/2" screw.

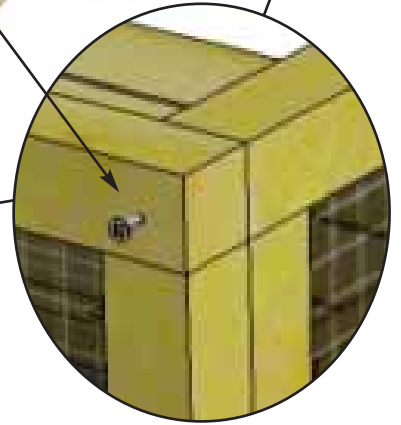
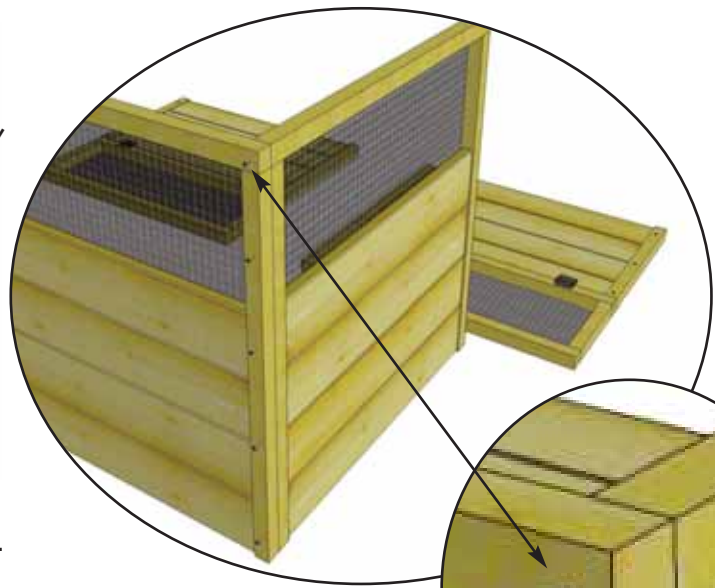




4. Attach Panels completely together using 4 - 2 1/2" screws. Make sure Panels are aligned prior to screwing.

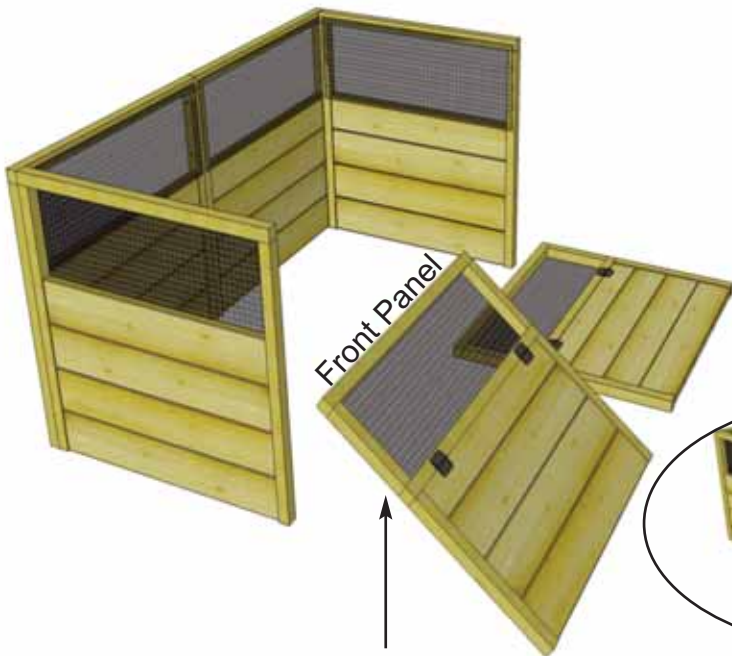


5. Align and attach 2nd Rear Panel Frames together making sure framing is aligned at top and sides. Use 2 - 2 1/2" screws in the upper screen frame area as illustrated. From the inside, angle screw 3 - 2 1/2" screws into panel framing to secure.



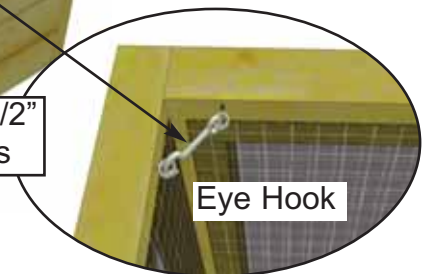
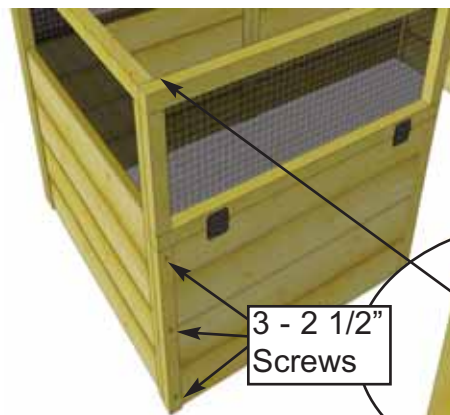
6. Align and attach Side Panel as per **Step 3**.
Use 5 - 2 1/2" screws to secure.

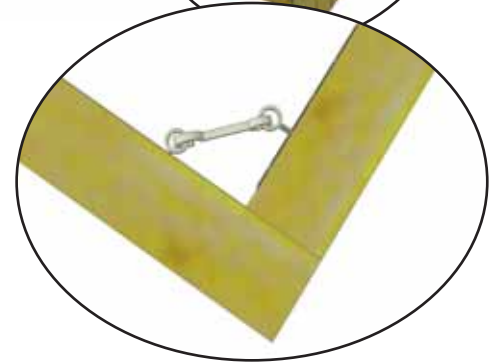
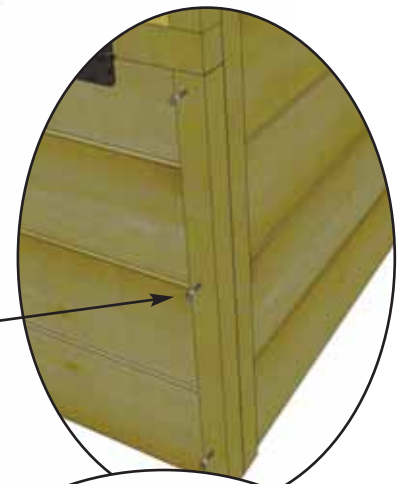
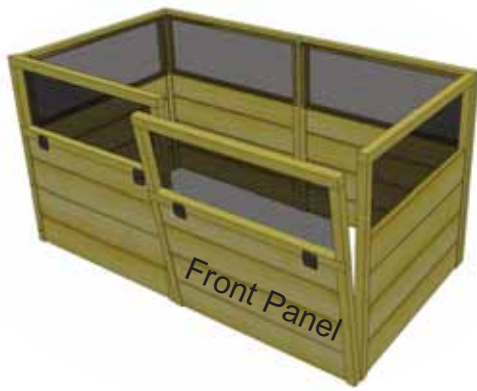
Note; Be careful, Front Panel has a hinged top that can release and pinch fingers and hands until Eyehook is attached in corner.



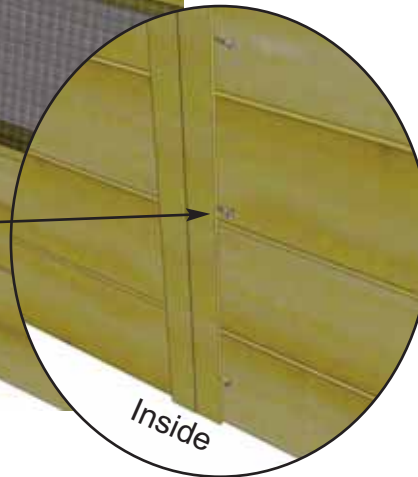
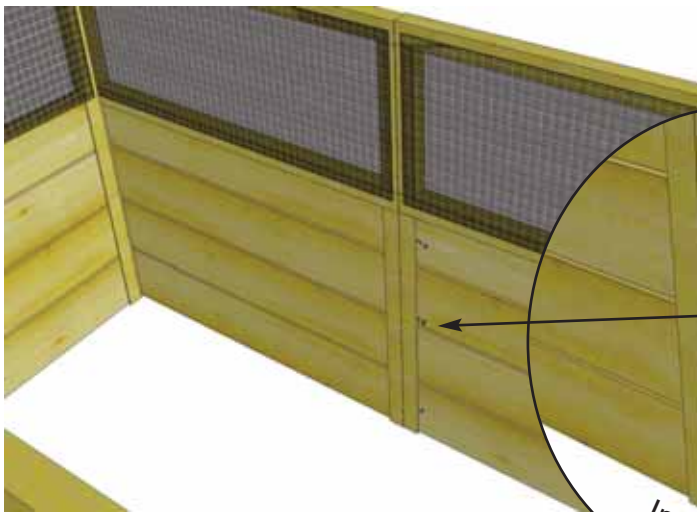
7. Align and attach Front Panel - **Parts B & BB** to Side Panel with 3 - 2 1/2" . Align panel framing together as **Step 3**. Screw only into Front Panel framing below the screen hinged top.

Attach Eyehook Hardware in the Front and Side Panels top framing. Pre-drill shallow 1/8" hole to make it easier to screw Eyehook in. Do a dry run prior to drilling holes to confirm fit.

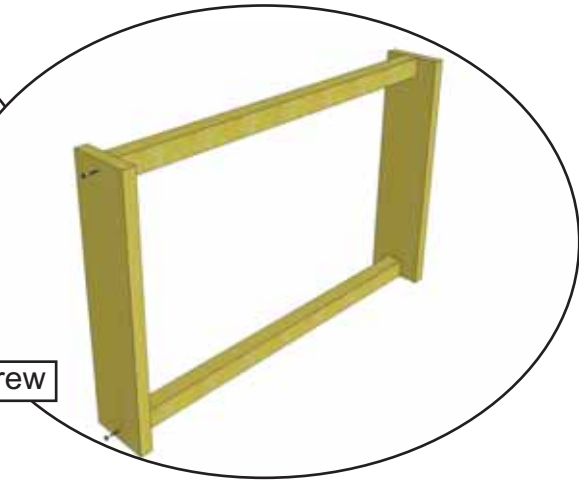
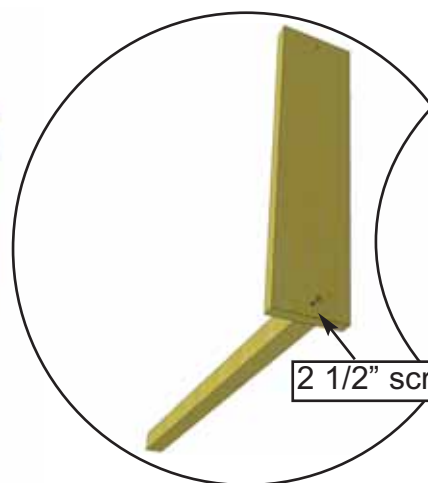
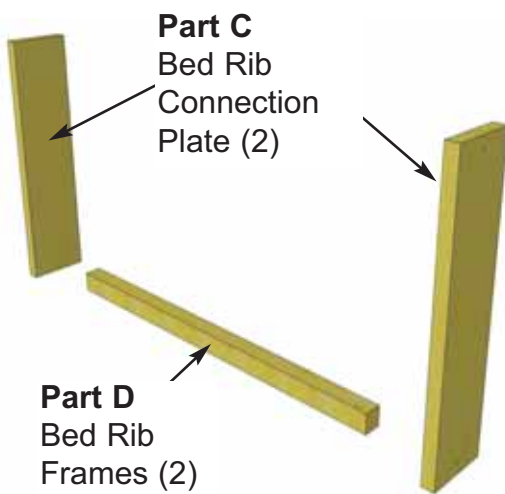




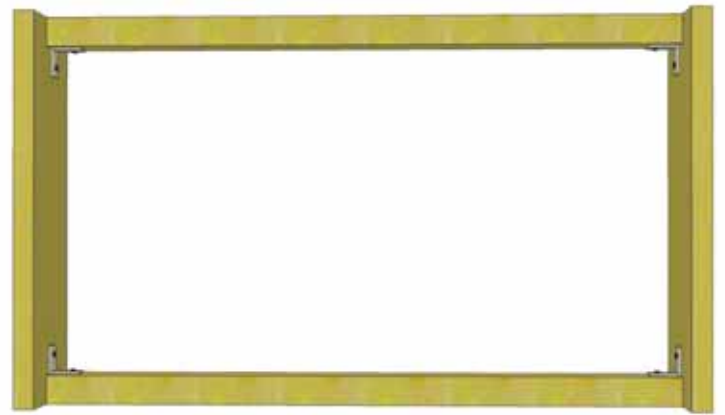
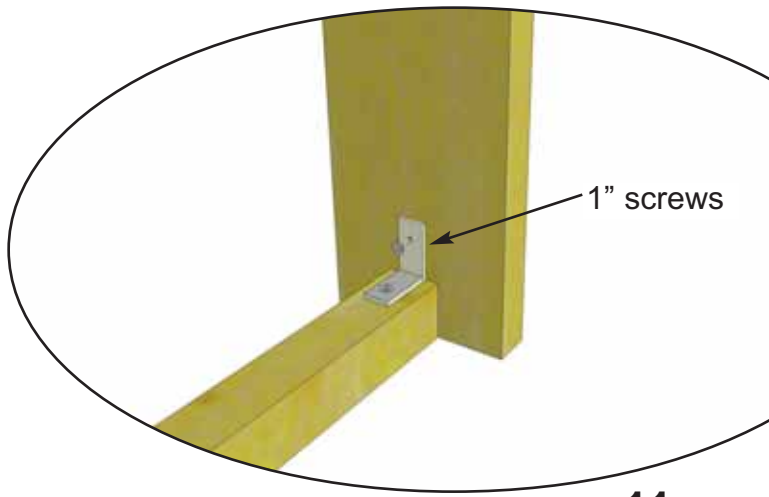
8. Align and attach 2nd Front Panel and Eyehook as per **Step 7**. Use only 3 - 2 1/2" screws below the screen hinged top framing.



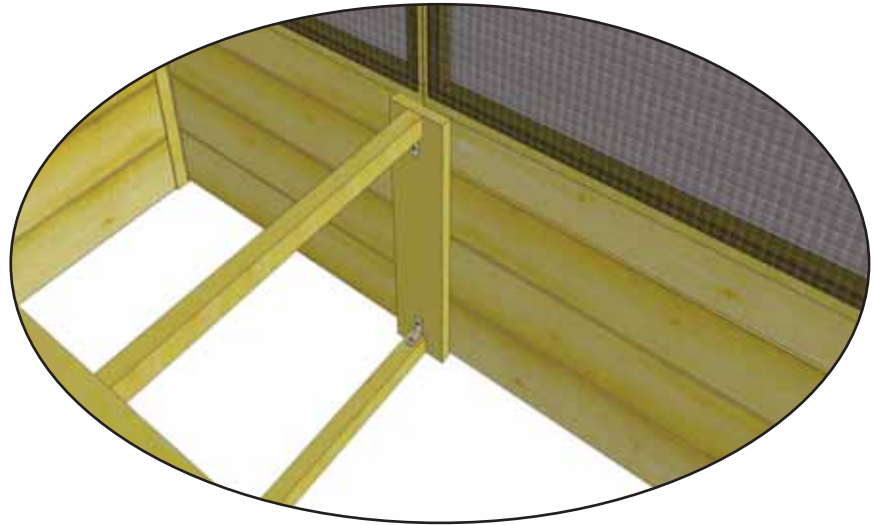
9. From the inside, angle screw 3 - 2 1/2" screws into panel framing to secure Front Panels.



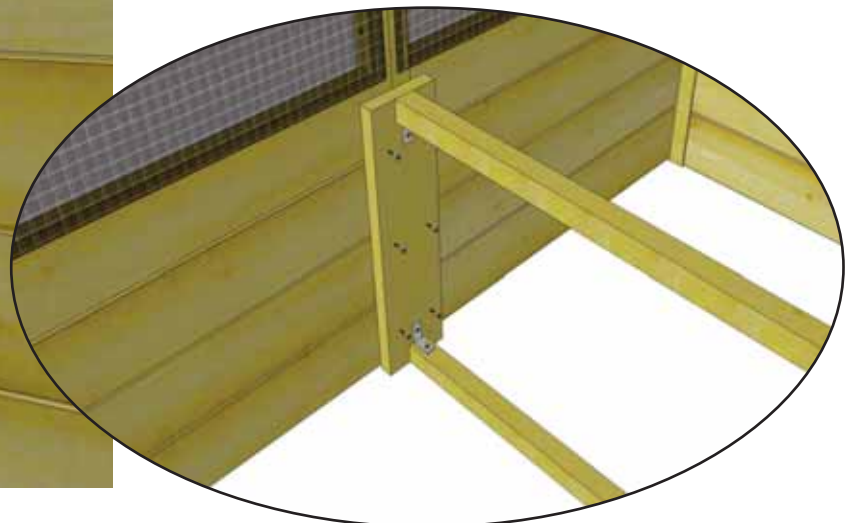
10. Locate Bed Rib Connection Plates (2) - **Part C** and both Bed Rib Frames (2) - **Part D**. On a level flat surface, screw Connection Plate and Frame together with 1 - 2 1/2" screw. Align so Plate and frame are flush at bottom. Complete both sides. Attach 2 Bed Rib Frames as illustrated above.

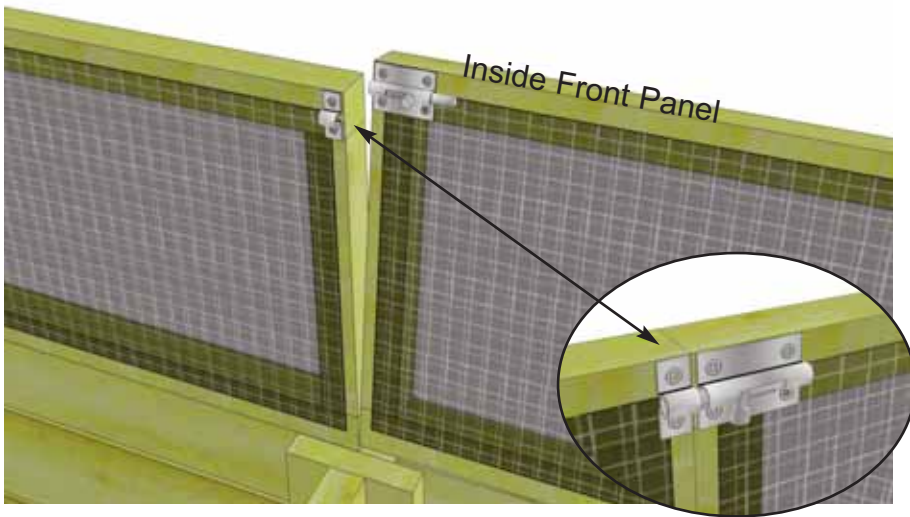


11. Locate Brackets (4). Position Brackets in each corner and secure with 4 - 1" screw per Bracket.



12. Lift and position completed Bed Rib between Front and Rear Panels at the mid point. Align with bottom of panels and centered on framing. Secure with 6 - 2" screws per plate. **Important-** be sure to screw into panel framing.





13. Attach Barrel Bolt to Inside of Front Panel framing. Pre-drill shallow 1/8" holes to prevent wood from splitting. Do a dry run first to confirm screw alignment before completely securing.



14. To access your Garden in a Box, open the Barrel Bolt and Eyehook in corner(s) to release the screened hinged panel. Be sure to close when your finished to keep dogs and pesky critters out!

We now recommend you to line the inner walls of your Garden in a Box with landscape fabric or plastic sheeting (not provided) before filling with soil.

We hope your experience constructing our **6'x3' Garden in a Box** has been both positive and rewarding. We value your feedback and would like to hear back from you on how well we are doing in the following areas:

1. Customer Service
2. On Time Shipping
3. Motor Freight Delivery
4. Quality of Materials
5. Assembly Manual
6. Overall Satisfaction.



The materials contained in this Assembly Manual may be downloaded or copied provided that ALL copies retain the copyright and any other proprietary notices contained on the materials. No material may be modified, edited or taken out of context such that its use creates a false or misleading statement or impression as to the positions, statements or actions.

Please call, write or email us at:

Canadian Address
 9393 287th Street
 Maple Ridge, British Columbia
 Canada V2W 1L1

United States Address
 P.O. Box 96
 Sumas, Washington
 USA 98295